

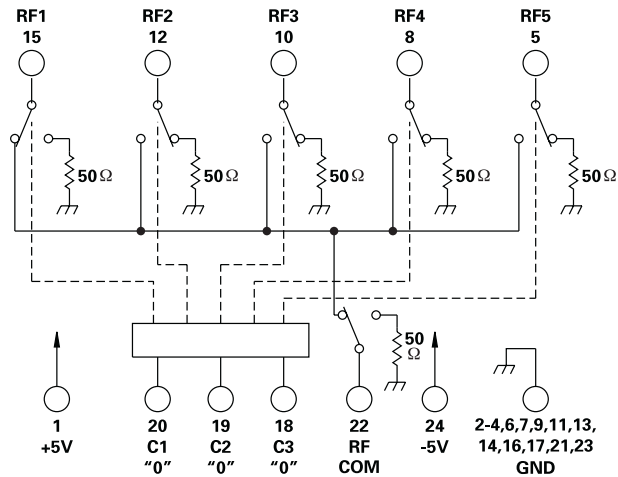
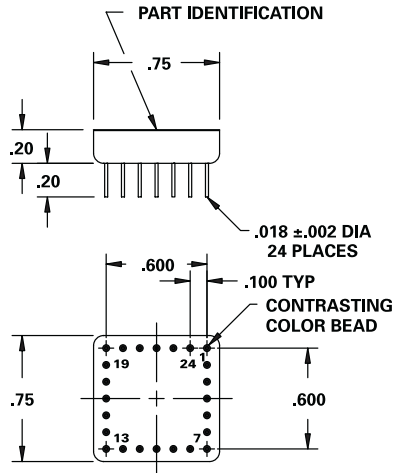
MODEL NUMBER
CSW52216

Switch SP5T

FEATURES

- 1-2800 MHz
- 65 dB Isolation
- +40 dB 3rd Order Intercept Point

SP5T



LOGIC TABLE

CONTROL INPUT			RF COM
C3	C2	C1	T0
0	0	0	RF1
0	0	1	RF2
0	1	0	RF3
0	1	1	RF4
1	0	0	RF5
1	0	1	ALL OFF - NO TERM@ COMMON PORT
1	1	0	ALL OFF - NO TERM@ COMMON PORT
1	1	1	ALL OFF - COMMON PORT TERMINATED

GUARANTEED PERFORMANCE

Parameter	Min	Typ	Max	Units	Conditions
Operating Frequency	1		2800	MHz	
DC Current			10 10	mA mA	At +5 VDC Supply At -5 VDC Supply
Control Type			TTL		See Table
Control Current			±1 ±1	µA µA	V _{IH} = +2.7 V V _{IL} = +0.5 V
Insertion Loss			2 3	dB dB	1 - 700 MHz 700 - 2800 MHz
Isolation	60	65		dB	
VSWR		Thru	1.4/1		
Impedance			50	OHMS	
Switching Speed			1	µSec	50% TTL to 90% / 10% RF
Transition (Rise/Fall) Time			30	nSec	10% / 90% or 90% / 10%
Switching (Video) Transients			50	mV	Peak Value
Intercept Points	2nd 3rd	+70 +40		dBm dBm	
RF Power			+13 +17 +27	dBm dBm dBm	1 - 300 MHz 300 - 2800 MHz No Damage
Operating Temperature	-20	+25	+70	°C	TA
Storage Temperature	-45		+85	°C	TA

