



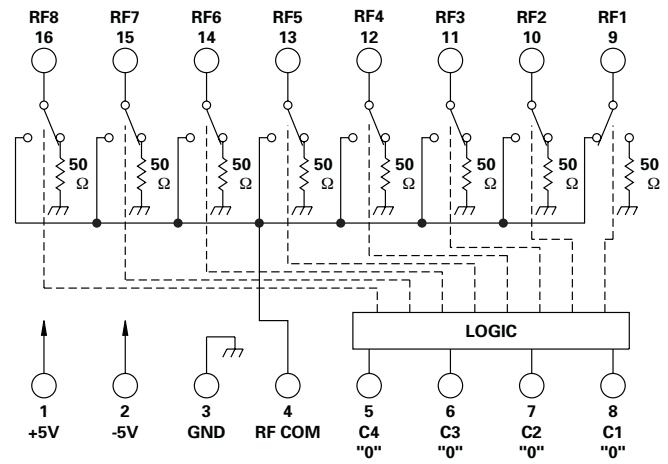
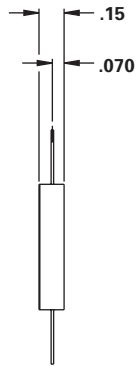
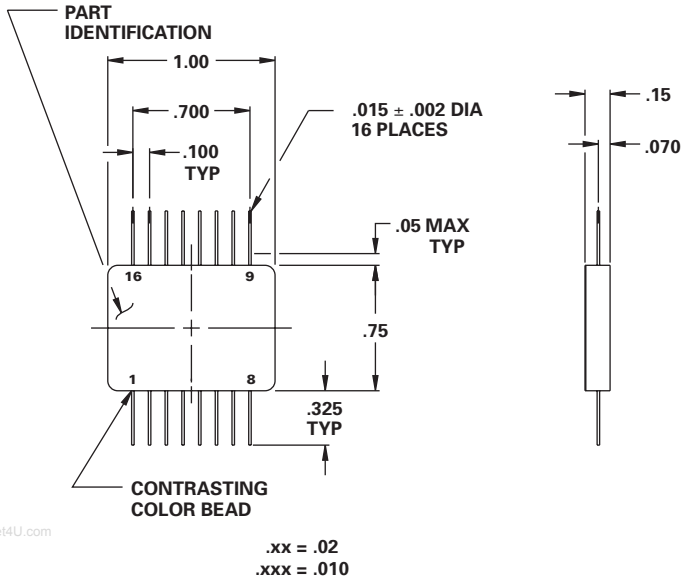
**MODEL NO.
CSW88050**

Switch SP8T

FEATURES

- 20 - 160 MHz
- 0.9 dB Insertion Loss
- 58 dB Isolation
- +40 dBm 3rd Order Intercept Point

SP8T



www.DataSheet4U.com

GUARANTEED PERFORMANCE

LOGIC TABLE				
CONTROL INPUT				RF COM TO
C4	C3	C2	C1	
0	0	0	0	RF1
0	0	0	1	RF2
0	0	1	0	RF3
0	0	1	1	RF4
0	1	0	0	RF5
0	1	0	1	RF6
0	1	1	0	RF7
0	1	1	1	RF8
1	X	X	X	ALL OFF

Parameter	Min	Typ	Max	Units	Conditions
Operating Frequency	20		160	MHz	
DC Current		2.3	10	mA	At +5 VDC Supply
		0.7	10	mA	At -5 VDC Supply
Control Type		TTL			See Table
Control Current	High		±10	µA	V _{IH} = +2.7 V
	Low		±10	µA	V _{IL} = +0.5 V
Insertion Loss		0.87	2	dB	
Isolation	50	58		dB	
VSWR		1.15/1	1.4/1		
Impedance		50		OHMS	
Switching Speed		30	100	nSec	50% TTL to 90% / 10% RF
Switching (Video) Transients		40		mV	Peak Value
Intercept Points	2nd	+60	+80	dBm	50 / 70 MHz
	3rd	+30	+40	dBm	50 / 36 MHz
RF Power	Operate	+15	+15	dBm	0.1 dB Compression
	No Damage	+21	+27	dBm	
Operating Temperature	-20	+25	+70	°C	TA
Storage Temperature	-45		+85	°C	TA