



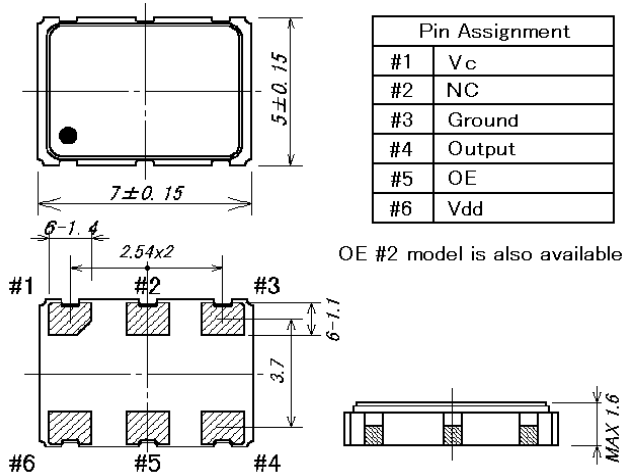
■ FEATURES

- Small and Ceramic SMD type
- High Stability
- Reflow Soldering
- Emboss Taping enabling Automatic Assembly
- Low Power Consumption
- Wide Pull Range
- Tristate Output

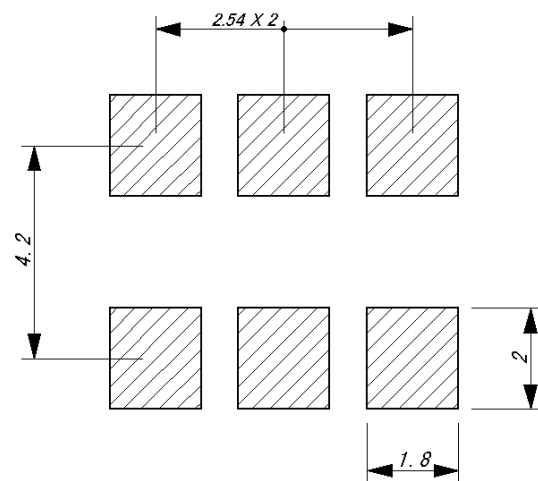
■ APPLICATIONS

- Set-top boxes
- Digital TVs
- xDSL modems
- DVD players
- Digital Videos

■ DIMENSIONS:(UNIT=mm)



■ RECOMMENDABLE PATTERNING(UNIT=mm)



■ STANDARD SPECIFICATIONS

Item	Model	CSX-750VCBM	CSX-750VBBL
Frequency range		2.4300MHz ~ 35.3280MHz	
Operating temperature range		-10°C ~ +70°C (-40°C ~ +85°C)	
Storage temperature range		-40°C ~ +85°C	
Supply voltage		V _{DD} : 5.0V±10%	V _{DD} : 3.3V±5%
Supply current		30mA Max. / no load	11mA Max. / no load
Frequency stability *1		±50ppm Max.	
Pullability		±100ppm Min. / V _c =2.5V±2.0V	200ppm p-p Min. / V _c =0.0V~3.0V
Linearity		10% Max.	15% Max.
Output load		30pF or 2TTL Max.	30pF Max.
Duty		45~55% / CMOS 40~60% / TTL	40%~60%
Output levels		VL: 0.4V Max, sinking 3.2Ma VH: V _{DD} -0.4V Min, sourcing 0.8mA	
Rise & Fall time		5nsec Max. / 20-80%V _{DD}	
Start up time *2		4msec Max.	
Modulation band width		5kHz Min. (-3dB)	
Phase noise		-120dBc/Hz Max /Offset 1kHz	
Soldering conditions		240°C Max. for 10sec	

*1. Inclusive of 25°C tolerance, operating temperature, input voltage change, load change, shock, vibration, 1st year aging, reflow.

*2. V_c must be kept ground level or left open when starting up.