

# Product Data Sheet



Product Code:	Issue No.	Issue Date:	Issue by:
<b>CT204</b>	<b>A</b>	<b>11.08.09</b>	<b>D.B.P</b>

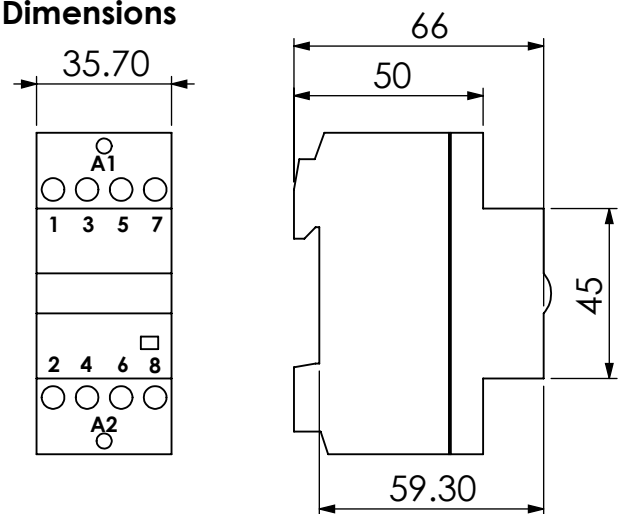
Description

**24A 4pole Contactor**



General Characteristics	
Standard	IEC60947-4-1
Type	4NO (normally open)
Coil Voltage	230V a.c 50Hz
Current rating (AC1)	24A
Voltage rating (Ue)	400V a.c.
Insulation Voltage (Ui)	500V
Power @ rated voltage (AC1 - kW)	16
Power @ rated voltage (AC3 - kW)	4
Enclosure material	Flame Retardent PA
Colour	Light Grey - RAL7035
Cable Entry Facility	Box Terminals
No of Modules	2
No. of Poles	4
Terminal capacity (Coil)	4mm <sup>2</sup>
Terminal capacity (Power)	10mm <sup>2</sup>

## Dimensions



## Circuit diagram

