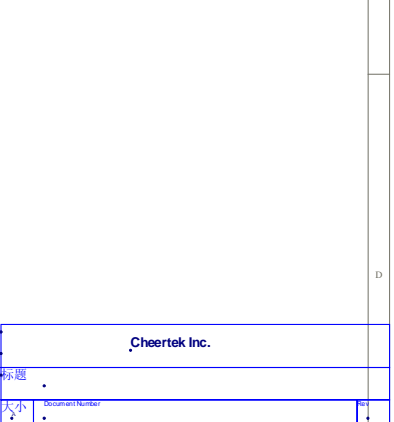
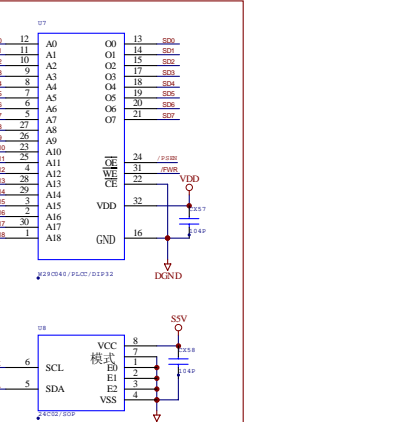
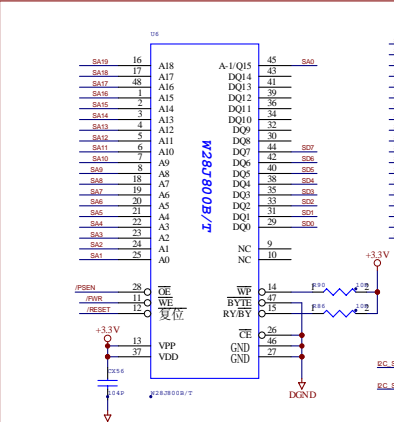
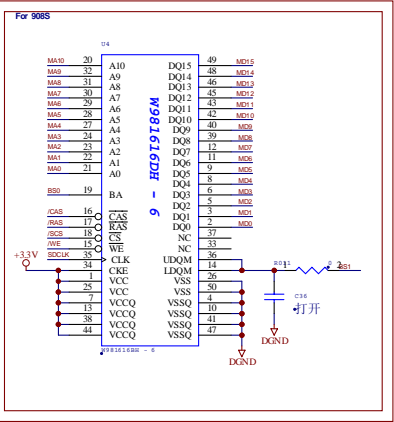
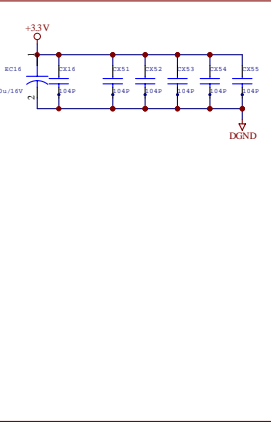
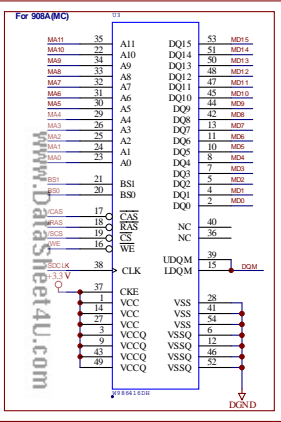
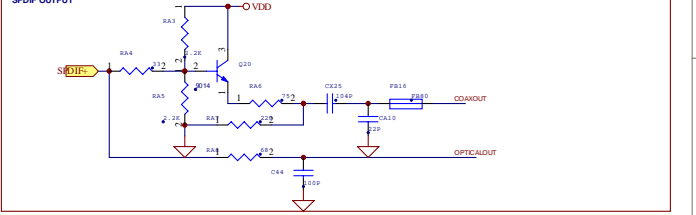
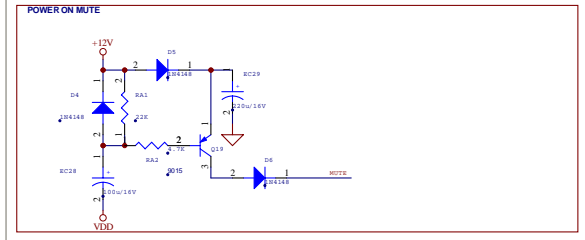
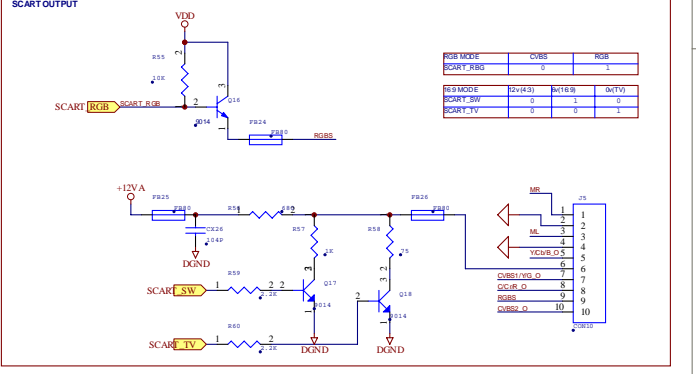
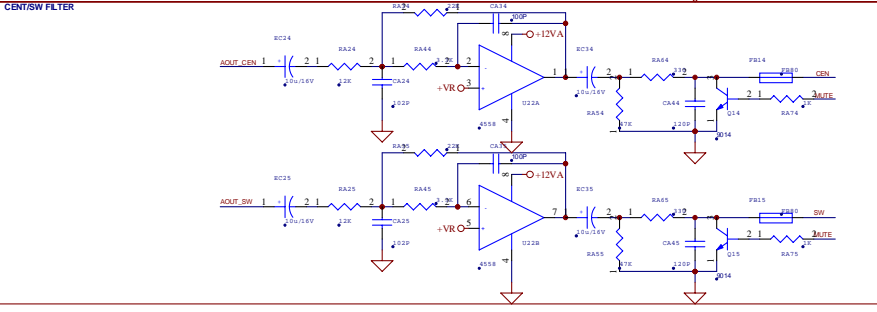
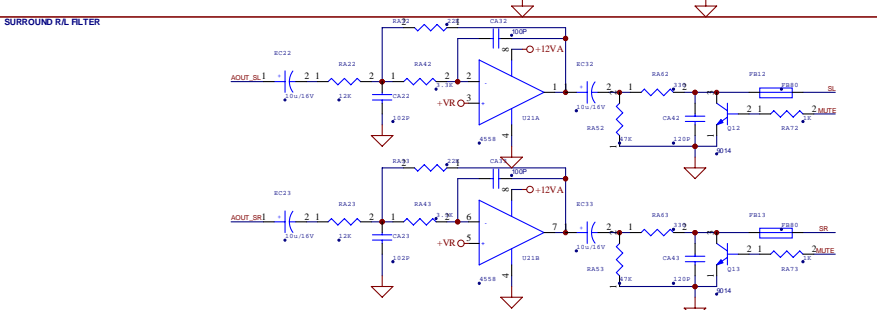
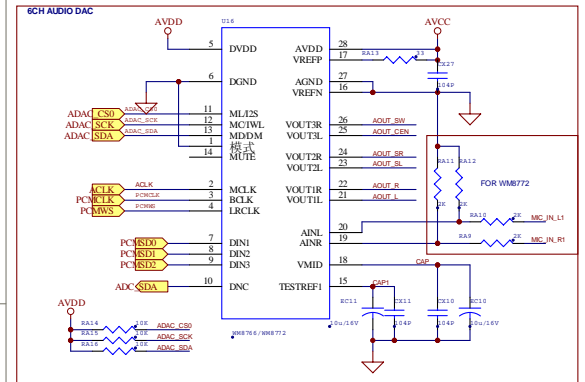
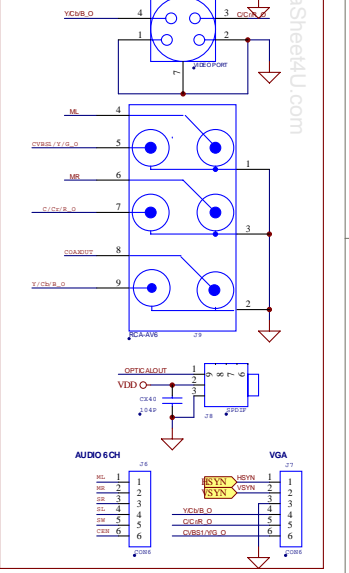
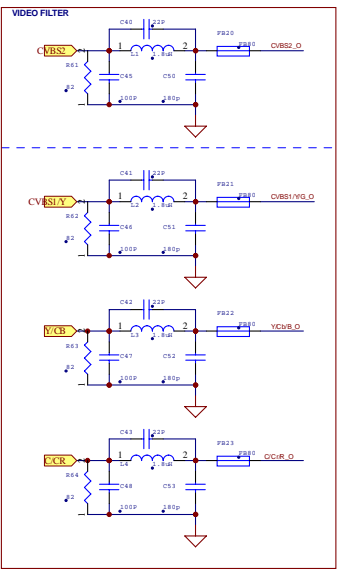
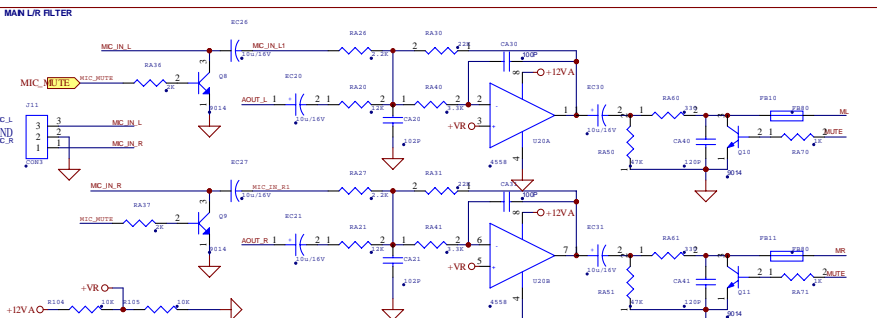
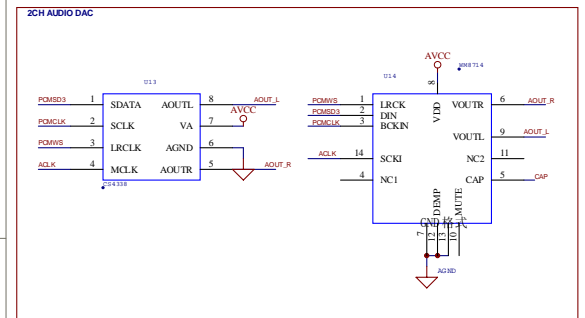
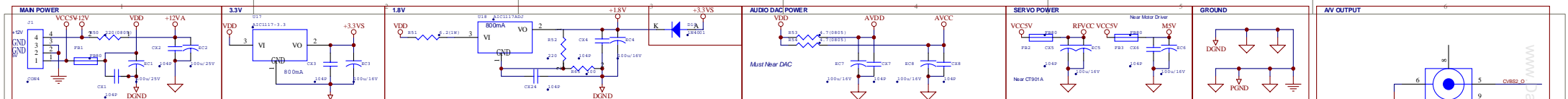


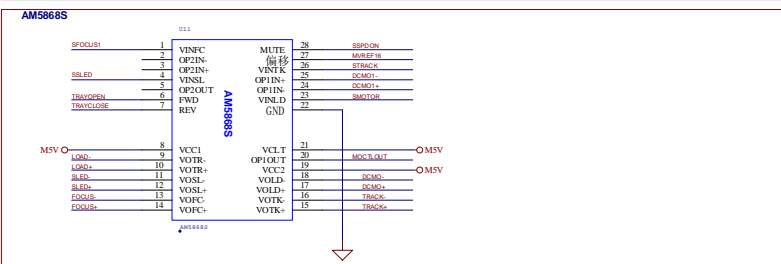
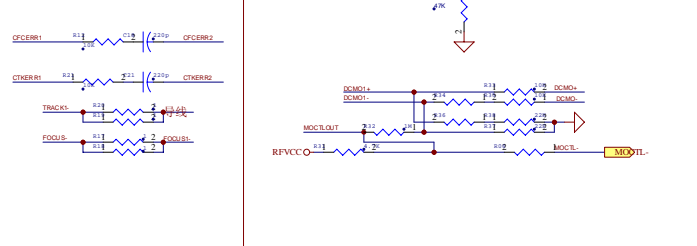
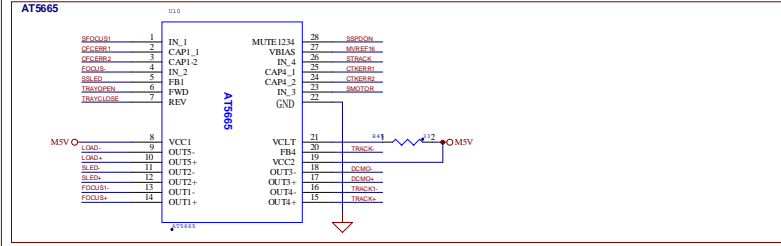
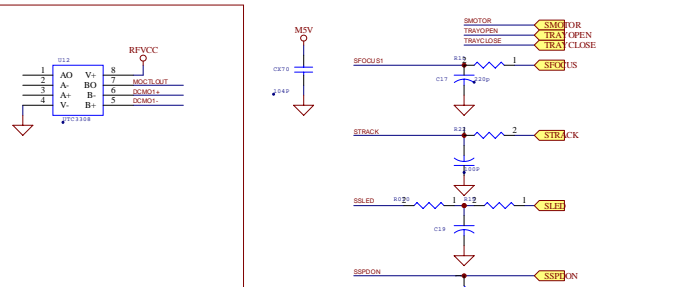
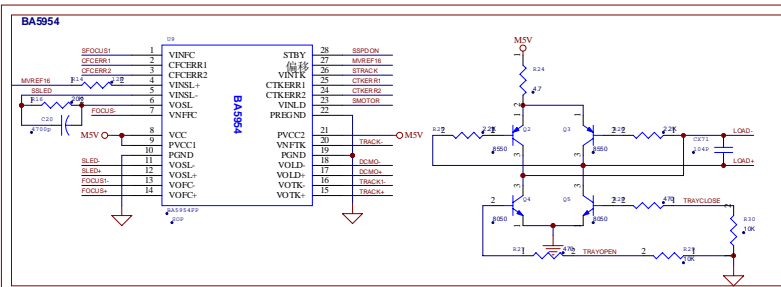
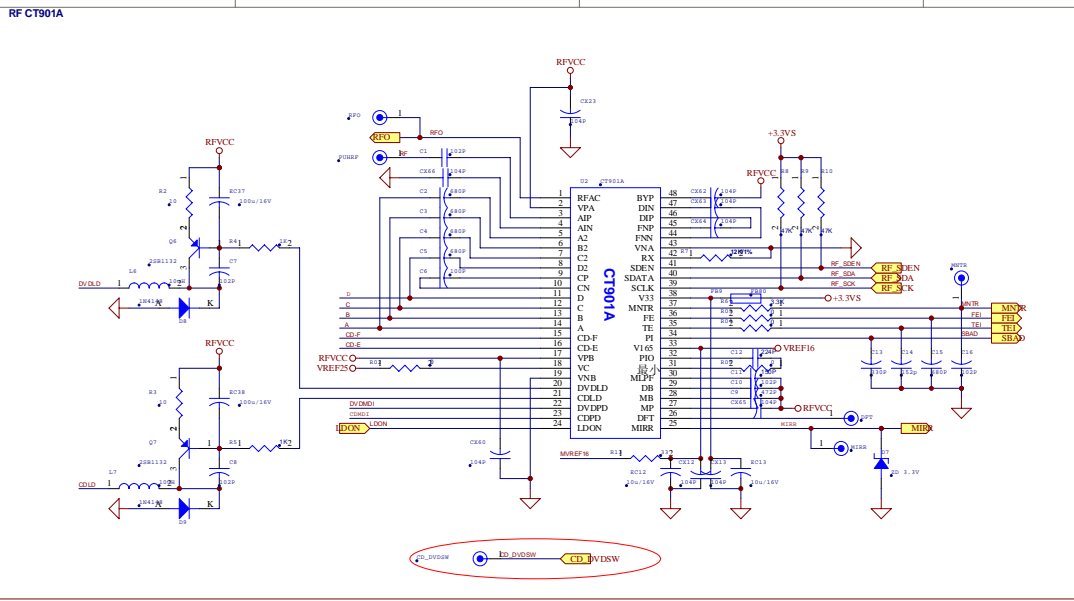
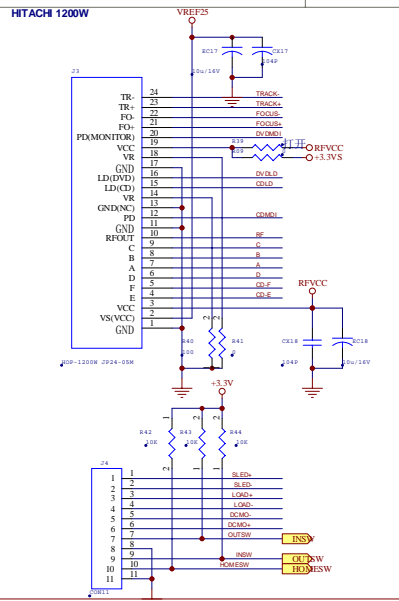
1.01C NOTE:  
1: For reduce video noise, FB4 must use R=600ohm @100Mhz, and directly 连接到 +3.3V. Add FB33 between +3.3V

www.DataSheet4U.com



www.DataSheet4U.com





	BA5954	AT5665	AMS665	ATS669H	AMS669S
R11	30K	30K	36K	27K	36K
R22	68K	68K	68K	56K	68K
C22	100P	100P	100P	100P	100P
R15	51K	15K	15K	15K	15K
R010	51K	22K	22K	15K	22K
C19	103P	103P	103P	103P	103P
R34	1.5K	56	56	56	56
R36	1.5K	56	56	56	56
R06	0	1K	1K	1K	1K
C9	472P	472P	472P	472P	472P
C10	102P	102P	102P	102P	102P
C1	102P	102P	102P	102P	102P
R2	10	10	10	10	10
R3	10	10	10	10	10
R4	1K	1K	1K	1K	1K
R5	1K	1K	1K	1K	1K
R40	100	100	100	100	100
R41	0	0	0	0	0
R39	NC	NC	NC	NC	NC
R09	0	0	0	0	0

FOR HITACHI 1200W

**Cheertek Inc.**

标题: \_\_\_\_\_

大小: \_\_\_\_\_ Document Number: \_\_\_\_\_

日期: \_\_\_\_\_ 图例: \_\_\_\_\_

TideBlock2