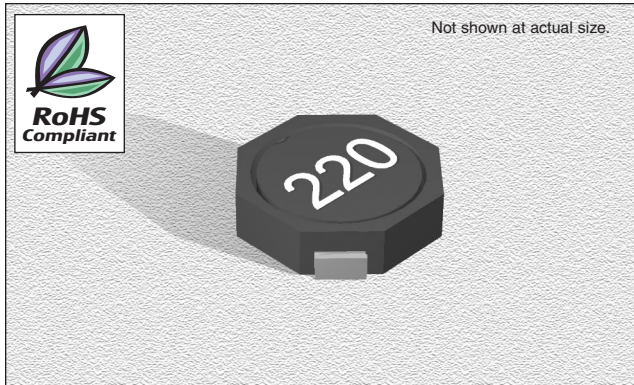


CT960AWF Series

From 1.2 μH to 47 μH



SPECIFICATIONS

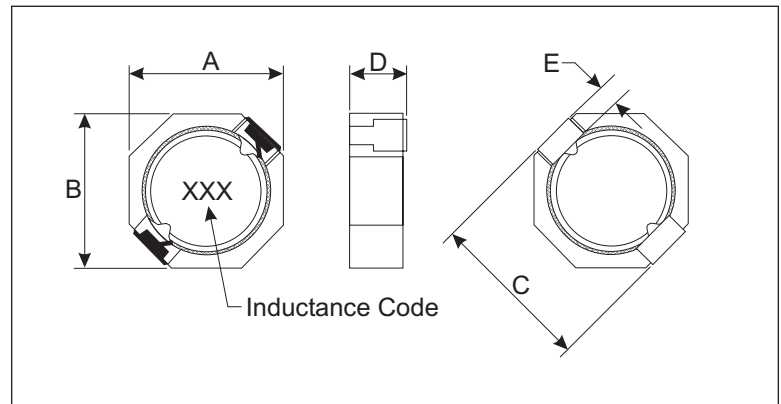
Parts are available in $\pm 20\%$ tolerance only.

*The IDC is that which causes a 30% inductance reduction from the initial value.

Part Number	Inductance ($\mu\text{H} \pm 20\%$)	L Test Freq. (kHz)	DCR Typ. (Ω)	IDC* (A)
CT960AWF-1R2M	1.2	100	0.046	1.80
CT960AWF-1R8M	1.8	100	0.054	1.60
CT960AWF-2R3M	2.3	100	0.063	1.50
CT960AWF-3R6M	3.6	100	0.082	1.20
CT960AWF-4R3M	4.3	100	0.092	1.10
CT960AWF-5R1M	5.1	100	0.105	1.00
CT960AWF-6R8M	6.8	100	0.130	0.94
CT960AWF-100M	10	100	0.180	0.80
CT960AWF-150M	15	100	0.270	0.64
CT960AWF-180M	18	100	0.320	0.56
CT960AWF-220M	22	100	0.450	0.49
CT960AWF-330M	33	100	0.640	0.41
CT960AWF-470M	47	100	0.930	0.33

PHYSICAL DIMENSIONS

Size	A Max.	B Max.	C Max.	D Max.	E Ref.
mm	5.2	5.2	5.6	1.8	0.6
inches	0.205	0.205	0.220	0.071	0.024



CHARACTERISTICS

Description: SMD (shielded) power inductor

Applications: Power supplies for VTR, OA equipment, LCD televisions, PC notebooks, portable communication equipment, DC/DC converters, etc.

Operating Temperature: -40°C to $+85^{\circ}\text{C}$

Inductance Tolerance: $\pm 20\%$

Testing: Tested on a HP4285A at 100 KHz

Packaging: Tape & Reel

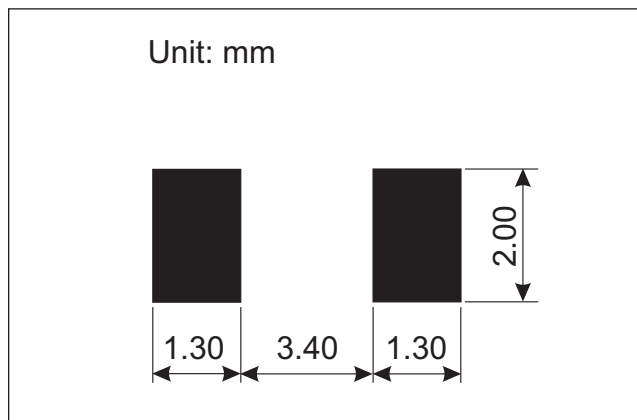
Marking: Parts are marked with inductance code

Miscellaneous: RoHS Compliant

Additional Information: Additional electrical & physical information available upon request

Samples available. See website for ordering information.

PAD LAYOUT



04.02.07