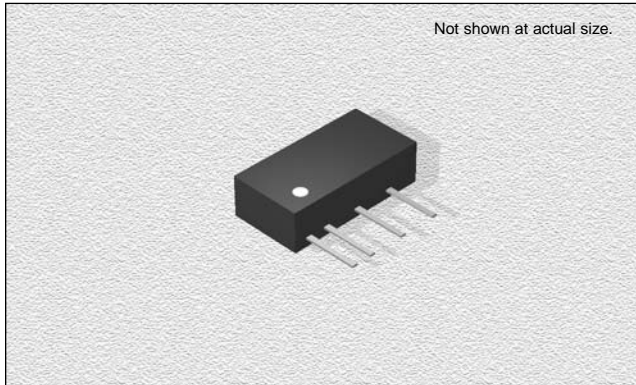


CTDD1906S-S Series

Fixed Input Isolated & Regulated
1W Output, Single Output



FEATURES

- Efficiency:** To 79%
- Temperature Range:** -40°C to 85°C
- Isolation:** 1KVDC
- Package:** UL94-V0
- Miscellaneous:** Single Output Voltage. Fixed Input Voltage. Regulated Output Voltage. No heatsink required. No external components required. Industry standard pinout. Pin compatible with MSB series. Small footprint. Custom service available.
- Samples available.**

CHARACTERISTICS

- Short Circuit Protection:** 1 second
- Temperature Rise at Full Load:** 25°C Max. 15°C Typ.
- Cooling:** Free air convection
- Operating Temperature Range:** -40°C to +85°C
- Storage Temperature Range:** -55°C to +125°C
- Lead Temperature:** 300°C (1.5mm from case for 10 seconds)
- Storage Humidity Range:** ≤ 95%
- Case Material:** Plastic (UL94-V0)
- MTBF:** >1,000,000 hours

SPECIFICATIONS

Part Number	Vin Nom.	Input Range	Vout	Iout Max. (mA)	Iout Min. (mA)	Effi(Typ.)
CTDD1906S-0505S-1	5VDC	4.75-5.25VDC	5VDC	150	15	72%
CTDD1906S-0509S-1	5VDC	4.75-5.25VDC	9VDC	111	12	75%
CTDD1906S-0512S-1	5VDC	4.75-5.25VDC	12VDC	83	9	78%
CTDD1906S-0515S-1	5VDC	4.75-5.25VDC	15VDC	67	7	78%
CTDD1906S-1205S-1	12VDC	11.4-12.6VDC	5VDC	150	15	73%
CTDD1906S-1209S-1	12VDC	11.4-12.6VDC	9VDC	111	12	76%
CTDD1906S-1212S-1	12VDC	11.4-12.6VDC	12VDC	83	9	79%
CTDD1906S-1215S-1	12VDC	11.4-12.6VDC	15VDC	67	7	79%
CTDD1906S-2405S-1	24VDC	22.8-25.2VDC	5VDC	150	15	76%
CTDD1906S-2409S-1	24VDC	22.8-25.2VDC	9VDC	111	12	78%
CTDD1906S-2412S-1	24VDC	22.8-25.2VDC	12VDC	83	9	79%
CTDD1906S-2415S-1	24VDC	22.8-25.2VDC	15VDC	67	7	79%

ISOLATION SPECIFICATIONS

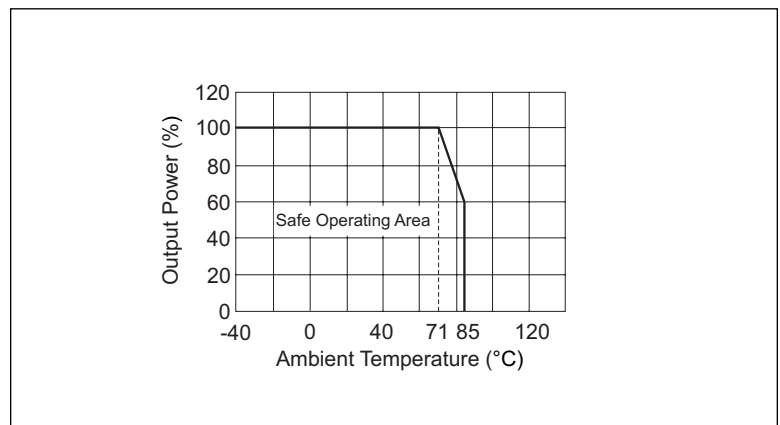
Item	Test Condition	MIN	TYP	MAX	Units
Isolation Voltage	Tested for 1 minute	1000			VDC
Isolation Resistance	Test at 500VDC	1000			MΩ

OUTPUT SPECIFICATIONS

Item	Test Condition	MIN	TYP	MAX	Units
Output Power		0.1		1	W
Line regulation	For Vin change of 1%			0.25	%
Load regulation	10% to 100% full load			1	%
Output voltage accuracy	Rated input, 100% full load	3%	3%	3%	3%
Temperature drift	100% full load			0.03	%/°C
Output ripple & noise	20Hz-300KHz bandwidth		50	100	mVp-p
Switching frequency	Full load, nominal input		100		KHz

Note:
1. All specifications measured at TA=25°C, humidity<75%, nominal input voltage and rated output unless otherwise specified.

TYPICAL CHARACTERISTICS

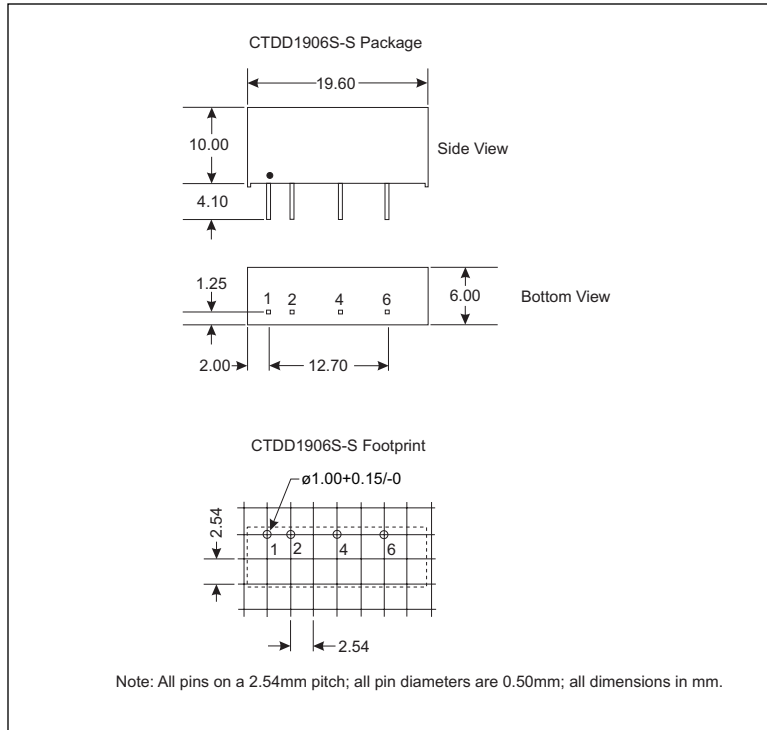


12.08.04

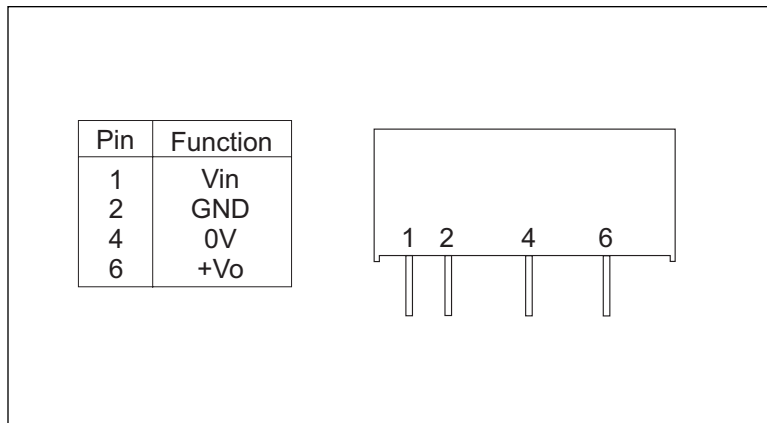
CTDD1906S-D Series

Fixed Input Isolated & Regulated
1W Output, Single Output

OUTLINE DIMENSIONS & RECOMMENDED FOOTPRINT DETAILS



PIN CONNECTIONS



12.08.04