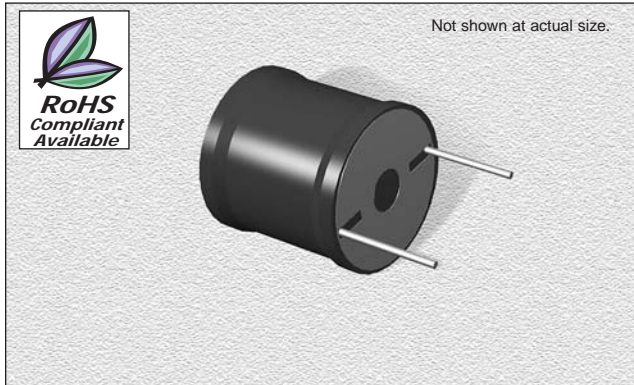


## CTDR1 Series

### From 1.0 $\mu\text{H}$ to 560 $\mu\text{H}$

### SPECIFICATIONS

Part numbers indicate available tolerance.  
 K =  $\pm 10\%$ , M =  $\pm 20\%$   
**CTDR1E Please specify "F" for RoHS compliant.**



### CHARACTERISTICS

- Description:** Radial leaded drum core inductor
- Applications:** Used in switching regulators, power amplifiers, power supplies, SCR and Triac controls, speaker crossover networks, RFI suppression and filters
- Operating Temperature:**  $-25^{\circ}\text{C}$  to  $+85^{\circ}\text{C}$
- Temperature Rise:**  $50^{\circ}\text{C}$  Max. at IDC
- IDC:** Current at which inductance drops 10% Max.
- Inductance Tolerance:**  $\pm 10\%$ ,  $20\%$
- Testing:** Inductance is tested on an HP4284A at 1.0 kHz, 1V
- Packaging:** Bulk pack
- Sleeving:** Coils finished with UL-VW-1 sleeving
- Mounting:** Center hole furnished for mechanical mounting
- Miscellaneous:** **RoHS Compliant available.** Non-standard tolerances and other values available
- Additional Information:** Additional electrical & physical information available upon request
- Samples available. See website for ordering information.**

Part Number	Inductance ( $\mu\text{H}$ )	L Test Freq. (kHz)	DCR Max. ( $\Omega$ )	IDC Max. (A)
CTDR1_-1R0M	1.0	1.0	.003	9.0
CTDR1_-1R2M	1.2	1.0	.003	9.0
CTDR1_-1R5M	1.5	1.0	.004	9.0
CTDR1_-1R8M	1.8	1.0	.004	9.0
CTDR1_-2R2M	2.2	1.0	.005	9.0
CTDR1_-2R7M	2.7	1.0	.005	9.0
CTDR1_-3R3M	3.3	1.0	.005	9.0
CTDR1_-3R9M	3.9	1.0	.006	9.0
CTDR1_-4R7M	4.7	1.0	.007	9.0
CTDR1_-5R6M	5.6	1.0	.007	9.0
CTDR1_-6R8M	6.8	1.0	.008	9.0
CTDR1_-8R2M	8.2	1.0	.009	9.0
CTDR1_-100M	10	1.0	.010	9.0
CTDR1_-120K	12	1.0	.011	9.0
CTDR1_-150K	15	1.0	.015	7.2
CTDR1_-180K	18	1.0	.016	7.2
CTDR1_-220K	22	1.0	.025	5.5
CTDR1_-270K	27	1.0	.030	4.5
CTDR1_-330K	33	1.0	.040	4.0
CTDR1_-390K	39	1.0	.046	4.0
CTDR1_-470K	47	1.0	.062	2.8
CTDR1_-560K	56	1.0	.069	2.8
CTDR1_-680K	68	1.0	.077	2.8
CTDR1_-820K	82	1.0	.083	2.8
CTDR1_-101K	100	1.0	.095	2.8
CTDR1_-121K	120	1.0	.127	2.0
CTDR1_-151K	150	1.0	.181	1.6
CTDR1_-181K	180	1.0	.217	1.6
CTDR1_-221K	220	1.0	.240	1.6
CTDR1_-271K	270	1.0	.300	1.6
CTDR1_-331K	330	1.0	.336	1.3
CTDR1_-391K	390	1.0	.460	1.0
CTDR1_-471K	470	1.0	.636	0.8
CTDR1_-561K	560	1.0	.696	0.8

### PHYSICAL DIMENSIONS

Size	A	B	C	D	E
	Max.	Max.		Typ.	Typ.
mm	22.0	17.0	15 $\pm$ 2	3.0	12
inches	0.87	0.67	0.59 $\pm$ 0.08	0.12	0.47

