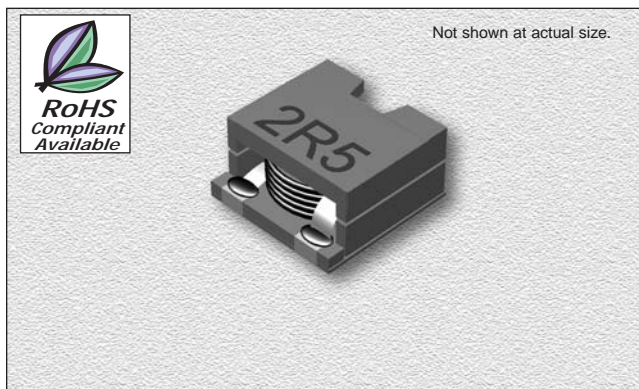


CTEP105S Series

From 0.22 μ H to 5.0 μ H



SPECIFICATIONS

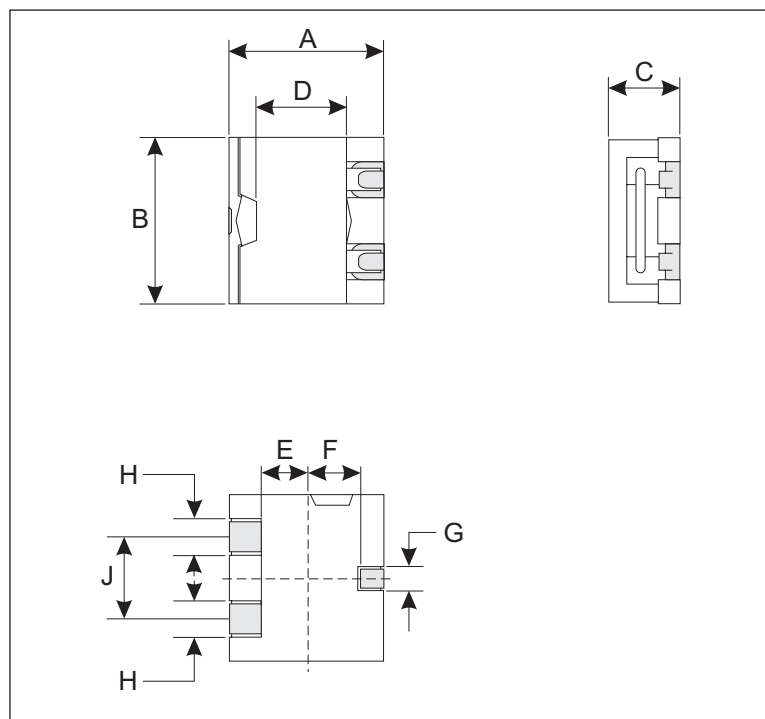
CTEP105SE Please specify "F" for RoHS compliant

* The actual current when temperature of coil becomes $\Delta T=40^{\circ}C$ ($T_a=20^{\circ}C$)

Part Number	Inductance (μ H $\pm 20\%$)	L Test Freq. (kHz)	DCR Max. (m Ω)	*Temp. Rise Current (typ.) (A)
CTEP105S_-0R2N	0.22 $\pm 30\%$	100	1.7	19.0
CTEP105S_-0R4M	0.45	100	2.4	17.7
CTEP105S_-0R8M	0.8	100	4.1	13.0
CTEP105S_-1R3M	1.3	100	5.3	11.2
CTEP105S_-1R8M	1.8	100	7.5	9.0
CTEP105S_-2R5M	2.5	100	10.5	7.8
CTEP105S_-3R2M	3.2	100	12.4	7.4
CTEP105S_-4R0M	4.0	100	18.0	6.2
CTEP105S_-5R0M	5.0	100	23.8	4.9

PHYSICAL DIMENSIONS

Size	A Max.	B Max.	C Max.	D	E	F	G	H	J
mm	10.4	10.4	5.6	5.5	2.9	3.8	1.4	2.6	5.5
inches	.409	.409	.22	.217	.114	.150	.055	.102	.217



CHARACTERISTICS

Description: SMD shielded power inductor

Applications: Power supplies for VTR, OA equipment, LCD televisions, PC notebooks, portable communication equipment, DC/DC converters, etc.

Operating Temperature: $-40^{\circ}C$ to $+125^{\circ}C$

Inductance Tolerance: $\pm 20\%$, $\pm 30\%$

Testing: Tested on a HP4285A at 100 KHz , 0.25Vrms , 0Adc

Packaging: Tape & Reel

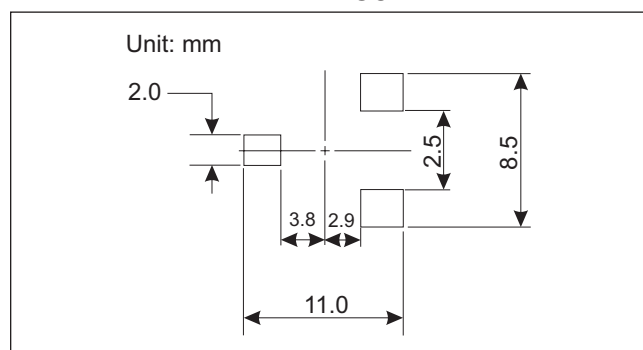
Miscellaneous: RoHS Compliant available.

Marking: Parts are marked with inductance code

Additional Information: Additional electrical & physical information available upon request

Samples available. See website for ordering information.

PAD LAYOUT



05.25.05