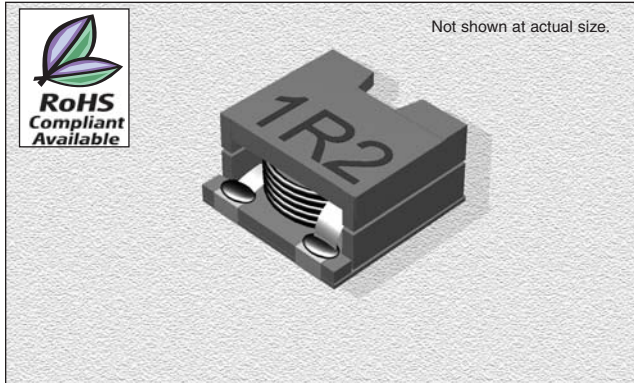


CTEP125S Series

From 1.2 μH to 10 μH



CHARACTERISTICS

Description: SMD shielded power inductor

Applications: Power supplies for VTR, OA equipment, LCD televisions, PC notebooks, portable communication equipment, DC/DC converters, etc.

Operating Temperature: -30°C to +100°C

Storage Temperature: -30°C to +100°C

Inductance Tolerance: $\pm 20\%$

Testing: Tested on a HP4285A at 100 KHz , 0.25Vrms , 0Adc

Packaging: Tape & Reel

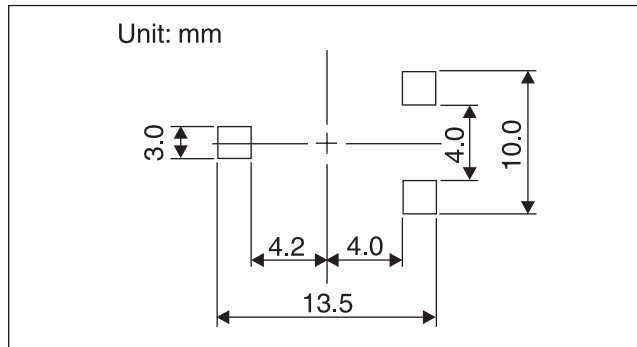
Marking: Parts are marked with inductance code

Miscellaneous: RoHS Compliant available.

Additional Information: Additional electrical & physical information available upon request

Samples available. See website for ordering information.

PAD LAYOUT



SPECIFICATIONS

Parts are available in $\pm 20\%$ only.

* This indicates the current when the inductance decreases to 75% over its nominal value or DC current when the temperature rising $\Delta T=40^\circ\text{C}$ lower, whichever is lower.

CTEP125SE Please specify "F" for RoHS compliant

| Part Number | Inductance ($\mu\text{H} \pm 20\%$) | L Test Freq. (kHz) | DCR Max. (m Ω) | *Current (A) |
|----------------|---------------------------------------|--------------------|------------------------|--------------|
| CTEP125S_-1R2M | 1.2 | 100 | 2.5 | 17.0 |
| CTEP125S_-1R5M | 1.5 | 100 | 2.5 | 14.0 |
| CTEP125S_-2R5M | 2.5 | 100 | 3.4 | 10.0 |
| CTEP125S_-4R0M | 4.0 | 100 | 5.4 | 8.3 |
| CTEP125S_-6R0M | 6.0 | 100 | 8.0 | 6.7 |
| CTEP125S_-8R2M | 8.2 | 100 | 11.4 | 5.8 |
| CTEP125S_-100M | 10 | 100 | 13.5 | 5.0 |

PHYSICAL DIMENSIONS

| Size | A Max. | B Max. | C Max. | D | E | F | G | H |
|--------|--------|--------|--------|---------------|---------------|---------------|----------------|---------------|
| mm | 12.9 | 12.9 | 5.8 | 2.6 \pm 2 | 7.0 \pm 2 | 4.0 \pm 2 | 4.2 \pm 2 | 2.5 \pm 2 |
| inches | .51 | .51 | .23 | .10 \pm .01 | .28 \pm .01 | .16 \pm .01 | 0.17 \pm 0.1 | .10 \pm .01 |

