

DESCRIPTION

The Caretaker™ LED Area luminaire incorporates durability, long life, and unmatched performance in a package that is ideal for a wide variety of applications. The unique universal mounting plate allows quick and easy installation whether it is wall mounted security lighting, residential street lighting, perimeter area lighting, parking areas, loading platforms, boat docks, access drives or pathways. Designed for years of worry free illumination, the Caretaker luminaire is UL/cUL listed for wet locations, has a heavy-duty die-cast aluminum housing and includes an integrated 6kV surge protection device.

Catalog #		Type	
Project			
Comments		Date	
Prepared by			

SPECIFICATION FEATURES

Construction

Die-cast, heavy-duty aluminum housing. Single-point access to hinged, removable power tray door for ease of installation and maintenance.

Optics

Injection molded optics are designed for widespread coverage and excellent uniformity, optimizing application spacing and maximizing efficiency. Standard 5000K CCT with a minimum 70 CRI. Meeting the requirements for Dark Sky compliance, the Type V symmetric distribution creates a consistent, even distribution replacing 175W mercury vapor, 100W-175W metal halide and 70W-100W high pressure sodium sources.

Electrical

The LED driver is mounted to a die-cast aluminum, removable power tray door for optimal heat transfer, which insures optimum efficacy and light output. Electrical operation is 120V, 50/60Hz. A standard 6kV surge protection device is included, which is compliant with class C1 outdoor, low requirements per IEEE C62.41. The sealed LED module is IP66 enclosure rated. Suitable for ambient temperatures ranging from -40°C to 40°C (-40°F to 104°F), the Caretaker luminaire meets L84 at 36,000 hours per IESNA TM-21 standards. Supplied with a NEMA twistlock style photocontrol for automatic dusk-to-dawn operation.

Mounting

The Caretaker luminaire is supplied with a universal mounting bracket for either wall or wood pole mounting and an integral two-bolt slipfitter for mounting on 1-1/4" to 2" standard pipe (1-5/8" to 2-3/8" O.D.).

Finish

Standard natural aluminum finish.

Warranty

Five-year warranty.



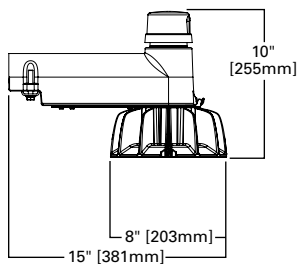
**CTKR
CARETAKER LED**

**8 LEDs
Solid State LED**

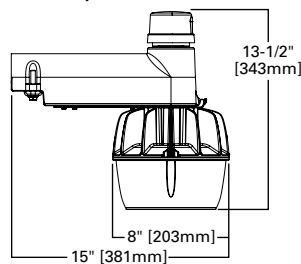
AREA LUMINAIRE

DIMENSIONS

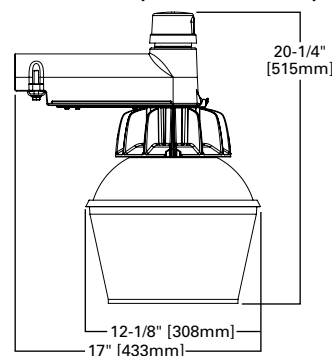
Full Cutoff



Small Acrylic Refractor

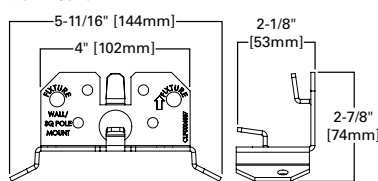


ANSI/NEMA Acrylic Refractor Assembly

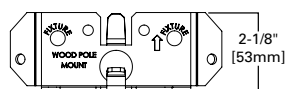


WALL/POLE MOUNTING BRACKET (INCLUDED)

Wall Mount



Pole Mount



CERTIFICATION DATA

- UL/cUL Wet Location Listed
- IP66 Optical Chamber
- LM79/LM80 Compliant
- 3G Vibration Rated
- RoHS Compliant
- DesignLights Consortium® Qualified*
- Lighting Fact® Registered

ENERGY DATA

- Electronic LED Driver**
- > 0.9 Power Factor
- < 20% Total Harmonic Distortion
- 120V, 50/60Hz
- 40°C Minimum Ambient Temperature Rating
- +40°C Maximum Ambient Temperature Rating

EPA

- Effective Projected Area:** (Sq. Ft.)
- Full Cutoff** 0.67

SHIPPING DATA

- Approximate Net Weight:** 8 lbs. (3.6 kgs.)



POWER AND LUMENS

CCT (Color Temperature)	5000K	
Power (Watts)	50W	
Input Current @ 120V (A)	0.41	
Optics		
Type V	Lumens	5,212
	BUG Rating	3-0-1

LUMEN MULTIPLIER

Ambient Temperature	Lumen Multiplier
10°C	1.04
15°C	1.03
25°C	1.00
40°C	0.96

LUMEN MAINTENANCE

Ambient Temperature	TM-21 Lumen Maintenance (36,000 Hours)	Theoretical L70 (Hours)
25°C	> 86%	> 87,000
40°C	> 84%	> 72,000

ORDERING INFORMATION

Stock Number	Wattage	Driver	LED Kelvin (CCT)	Photocontrol	Mounting	Accessories (Order Separately)
CTKRV1A	50W	120V	5000K	NEMA Twistlock	Wall/Pole Mount Bracket and Integral Slipfitter	SR-CARETAKER =Small Acrylic Refractor RMARROA5 =ANSI/NEMA Acrylic Refractor Assembly