

Toroidal Inductors

Medium Current

CTP4409

CTP4409 is a medium current inductor with the following data and features:

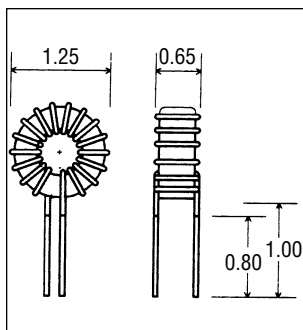
- **Core type:** 1.06" o.d., Iron Powder, perm 75.
- **Power rating:** 2.16 watts for temp. rise 50°C.
- **Typical applications:** Input and output filters in Switch Mode Power Supplies.

- Four mounting styles are offered:**
- 1 Flying leads (1.00"), for vertical or horizontal mounting.
 - 2 4-pin header, for vertical mounting.
 - 3 Threaded center hole, flying leads (2.00").
 - 4 2-pin header, for vertical mounting.

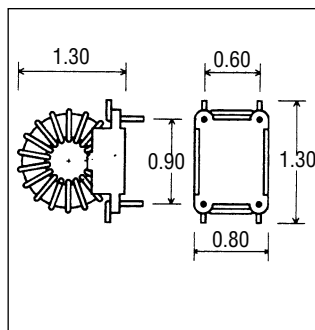


MECHANICAL

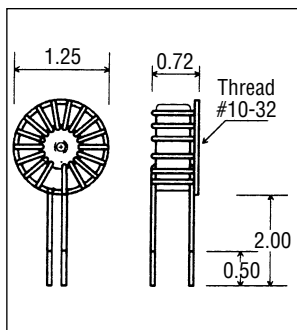
Style 1



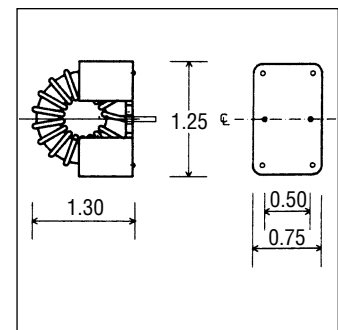
Style 2



Style 3



Style 4



ELECTRICAL SPECIFICATION

Ordering Information: Substitute the style number for the asterisk (*). Example: CTP4409, Style 1, 56uH. Order: CTP4409 - 116

Part No. CTP4409 -	Ind. (uH)	DCR Ohms	Rated Current Amp. RMS	I (amp.) @ Lsat. 10%	I (amp.) @ Lsat. 25%	I (amp.) @ Lsat. 50%	Part No. CTP4409 -	Ind. (uH)	DCR Ohms	Rated Current Amp. RMS	I (amp.) @ Lsat. 10%	I (amp.) @ Lsat. 25%	I (amp.) @ Lsat. 50%
* 01	3.3	0.004	24.2	11.1	22.2	44.4	* 17	68	0.016	11.6	2.4	4.9	9.8
* 02	3.9	0.004	23.3	10.2	20.4	40.9	* 18	82	0.022	9.9	2.2	4.5	8.9
* 03	4.7	0.004	22.3	9.3	18.6	37.2	* 19	100	0.024	9.4	2.0	4.0	8.1
* 04	5.6	0.005	21.3	8.5	17.0	34.1	* 20	120	0.034	8.0	1.8	3.7	7.4
* 05	6.8	0.005	20.4	7.7	15.5	30.9	* 21	150	0.047	6.7	1.6	3.3	6.6
* 06	8.2	0.006	19.5	7.0	14.1	28.2	* 22	180	0.065	5.7	1.5	3.0	6.0
* 07	10	0.006	18.6	6.4	12.8	25.5	* 23	220	0.072	5.5	1.4	2.7	5.4
* 08	12	0.007	17.8	5.8	11.6	23.3	* 24	270	0.102	4.6	1.2	2.5	4.9
* 09	15	0.008	16.8	5.2	10.4	20.8	* 25	330	0.141	3.9	1.1	2.2	4.4
* 10	18	0.008	16.1	4.8	9.5	19.0	* 26	390	0.193	3.3	1.0	2.0	4.1
* 11	22	0.009	15.3	4.3	8.6	17.2	* 27	470	0.268	2.8	0.9	1.9	3.7
* 12	27	0.010	14.6	3.9	7.8	15.5	* 28	560	0.292	2.7	0.9	1.7	3.4
* 13	33	0.011	13.9	3.5	7.0	14.0							
* 14	39	0.012	13.3	3.2	6.5	12.9							
* 15	47	0.013	12.7	2.9	5.9	11.8							
* 16	56	0.015	12.2	2.7	5.4	10.8							

CTP4409