

Toroidal Inductors

Medium Current

CTP4559

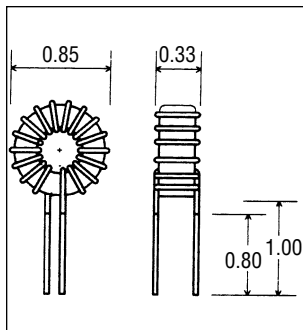
CTP4559 is a medium current inductor with the following data and features:

- **Core type:** 0.68" o.d., Moly-Permalloy Powder, perm 125.
 - **Power rating:** 0.86 watts for temp. rise 50°C.
 - **Typical applications:** Switching Inductors in Switch Mode Power Supplies.
- Four mounting styles are offered:**
- 1 Flying leads (1.00"), for vertical or horizontal mounting.
 - 2 4-pin header, for vertical mounting.
 - 3 Threaded center hole, flying leads (2.00").
 - 4 2-pin header, for vertical mounting.

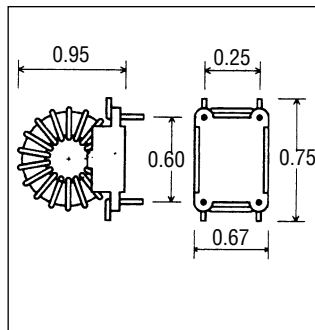


MECHANICAL

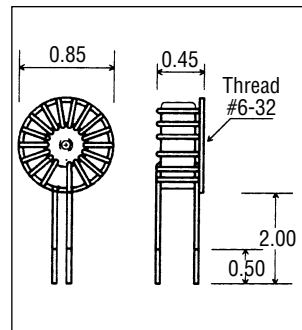
Style 1



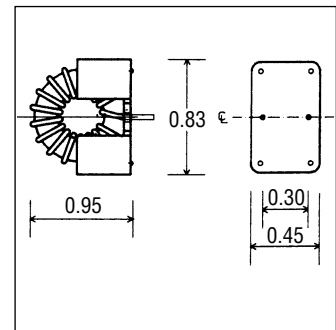
Style 2



Style 3



Style 4



ELECTRICAL SPECIFICATION

Ordering Information: Substitute the style number for the asterisk (*). Example: CTP4559, Style 1, 56uH. Order: CTP4559 - 116

| Part No. CTP4559 - | Ind. (uH) | DCR Ohms | Rated Current Amp. RMS | I (amp.) @ Lsat. 10% | I (amp.) @ Lsat. 25% | I (amp.) @ Lsat. 50% |
|-----------------------|--------------|-------------|------------------------------|----------------------------|----------------------------|----------------------------|
| * 01 | 3.3 | 0.005 | 13.5 | 9.7 | 14.5 | 24.2 |
| * 02 | 3.9 | 0.005 | 13.0 | 8.9 | 13.3 | 22.2 |
| * 03 | 4.7 | 0.006 | 12.5 | 8.1 | 12.1 | 20.2 |
| * 04 | 5.6 | 0.006 | 12.0 | 7.4 | 11.1 | 18.5 |
| * 05 | 6.8 | 0.008 | 10.2 | 6.7 | 10.1 | 16.8 |
| * 06 | 8.2 | 0.009 | 9.7 | 6.1 | 9.2 | 15.3 |
| * 07 | 10 | 0.010 | 9.3 | 5.6 | 8.3 | 13.9 |
| * 08 | 12 | 0.011 | 8.9 | 5.1 | 7.6 | 12.7 |
| * 09 | 15 | 0.015 | 7.5 | 4.5 | 6.8 | 11.3 |
| * 10 | 18 | 0.017 | 7.2 | 4.1 | 6.2 | 10.3 |
| * 11 | 22 | 0.018 | 6.8 | 3.7 | 5.6 | 9.4 |
| * 12 | 27 | 0.020 | 6.5 | 3.4 | 5.1 | 8.4 |
| * 13 | 33 | 0.022 | 6.2 | 3.1 | 4.6 | 7.6 |
| * 14 | 39 | 0.024 | 6.0 | 2.8 | 4.2 | 7.0 |
| * 15 | 47 | 0.027 | 5.7 | 2.6 | 3.8 | 6.4 |
| * 16 | 56 | 0.029 | 5.5 | 2.3 | 3.5 | 5.9 |

| Part No. CTP4559 - | Ind. (uH) | DCR Ohms | Rated Current Amp. RMS | I (amp.) @ Lsat. 10% | I (amp.) @ Lsat. 25% | I (amp.) @ Lsat. 50% |
|-----------------------|--------------|-------------|------------------------------|----------------------------|----------------------------|----------------------------|
| * 17 | 68 | 0.032 | 5.2 | 2.1 | 3.2 | 5.3 |
| * 18 | 82 | 0.035 | 5.0 | 1.9 | 2.9 | 4.8 |
| * 19 | 100 | 0.038 | 4.7 | 1.8 | 2.6 | 4.4 |
| * 20 | 120 | 0.053 | 4.0 | 1.6 | 2.4 | 4.0 |
| * 21 | 150 | 0.074 | 3.4 | 1.4 | 2.1 | 3.6 |
| * 22 | 180 | 0.103 | 2.9 | 1.3 | 2.0 | 3.3 |
| * 23 | 220 | 0.113 | 2.8 | 1.2 | 1.8 | 3.0 |
| * 24 | 270 | 0.159 | 2.3 | 1.1 | 1.6 | 2.7 |
| * 25 | 330 | 0.219 | 2.0 | 1.0 | 1.4 | 2.4 |
| * 26 | 390 | 0.303 | 1.7 | 0.9 | 1.3 | 2.2 |
| * 27 | 470 | 0.332 | 1.6 | 0.8 | 1.2 | 2.0 |
| * 28 | 560 | 0.362 | 1.5 | 0.7 | 1.1 | 1.9 |

CTP4559