



CTS400B Series

CTS200B, 300B, 400B



CTS400B Series

코일정격 (Magnet coil ratings)

Nominal voltage(V)	Item	Nominal current (mA)	Coil resistance (Ω)	Pull-in voltage (V)	Drop-out voltage (V)	Max. voltage (V)	Coil power(W) dissipation
DC	110	144	760	70% max.	10% min.	110%	11 to 14
	60	240	250				
	48	300	160				
	24	600	40				
	12	1,200	10				
	6	2,400	2.5				

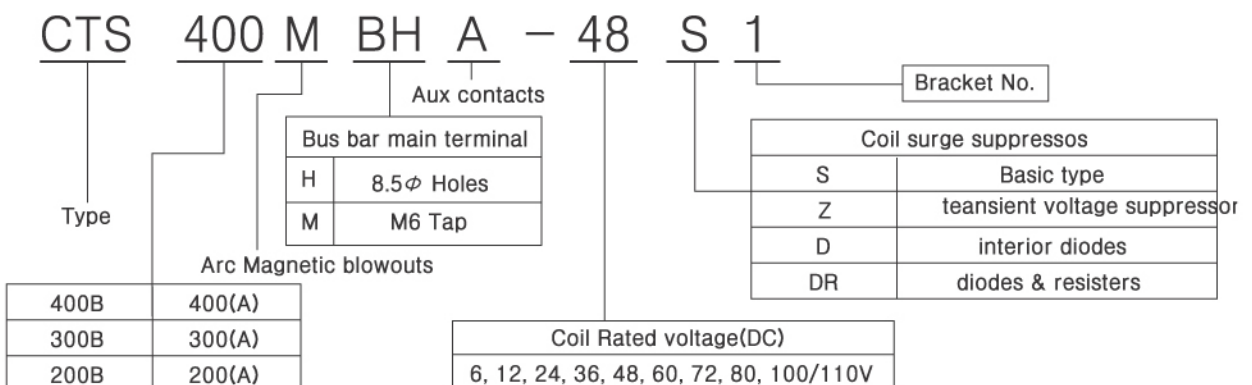
- Notes : 1. Nominal current and coil resistance are measured at +20°C.
 2. Differences of coil resistance are ±15%.
 3. Performance characteristic coil temperature is measured at 20°C.

접점정격 (Contact ratings)

(60VDC)

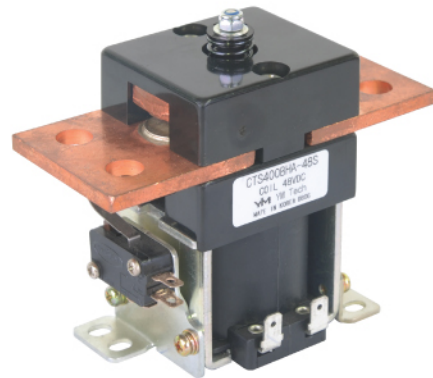
Item	Type	1Pole Resistive load (cosφ = 1)		
		CTS200B	CTS300B	CTS400B
Max. switching current		200A	300A	400A
Max. switching voltages		60VDC	60VDC	60VDC
Max. switching capacity		12000W	18000W	24000W
Voltage drop across contacts per 100A		40mV max.		
Description		S.P On/Off		

주문방법 (Ordering information)

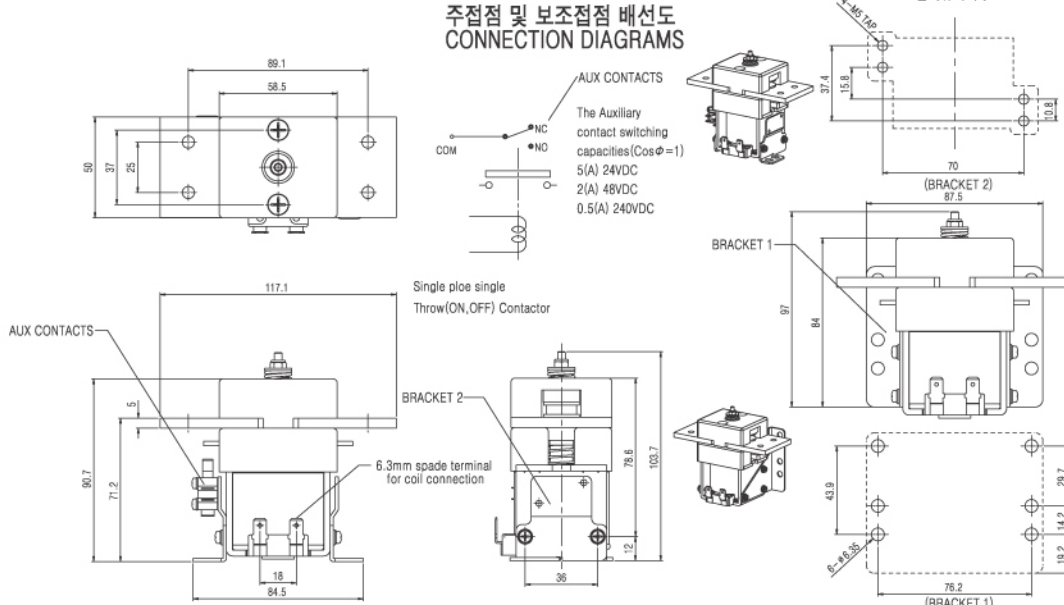


CTS400B Series

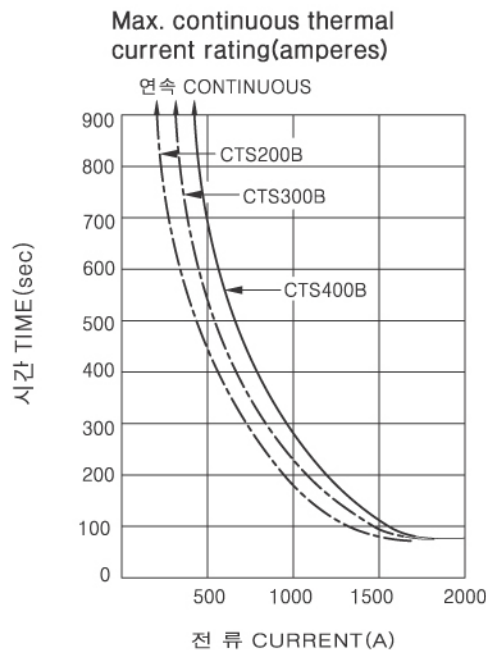
CTS200B, 300B, 400B



외형치수도 (Dimension in mm)



특성곡선 (Contact performance curve)



CTS400B Series