



CTD88 Series

CTD88, CTU88, CTW88



코일정격 (Magnet coil ratings)

Nominal voltage(V)	Item	Intermittently resistance (Ω)	continuously resistance (Ω)	Pull-in voltage (V)	Drop-out voltage (V)	Max. voltage (V)	Coil power(W) dissipation
	DC	80	365	600	66% max.	10% min.	110%
72		305	458				
60		212	305				
48		120	212	Continuously 7~12			
36		73	120				
24		29	52				
12		9	14				

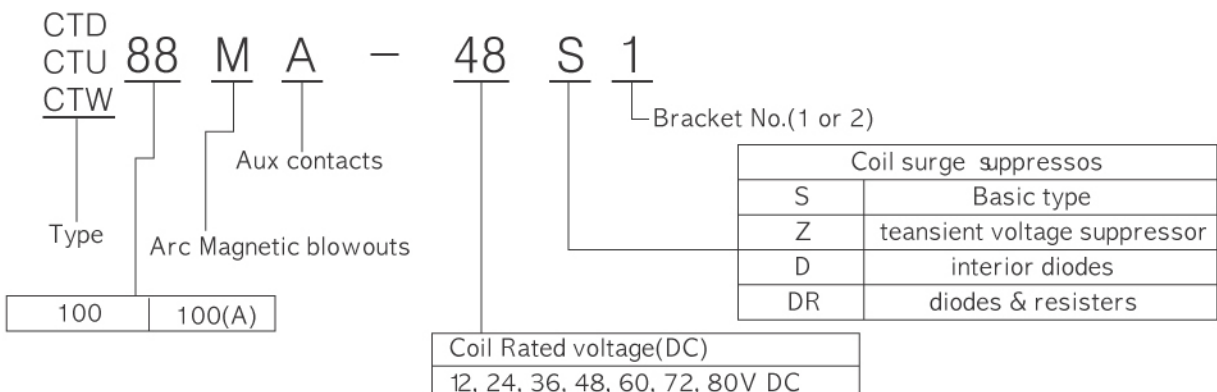
- Notes : 1. Nominal current and coil resistance are measured at +20°C.
 2. Differences of coil resistance are ±10%.
 3. Performance characteristic coil temperature is measured at 20°C.

접점정격 (Contact ratings)

(60VDC기준)

Item	MONOBLOCK SINGLE POLE DOUBLE THROW POLE DOUBLE THROW Motor reversing
Thermal current rating(100%)	100A (Continuous)
Max. switching voltage(DC)	96VDC (Without blowouts type)
Voltage drop across contacts per 100A	30mV max.(normally open)
Voltage drop across contacts per 100A	40mV max.(normally closed)

주문방법 (Ordering information)

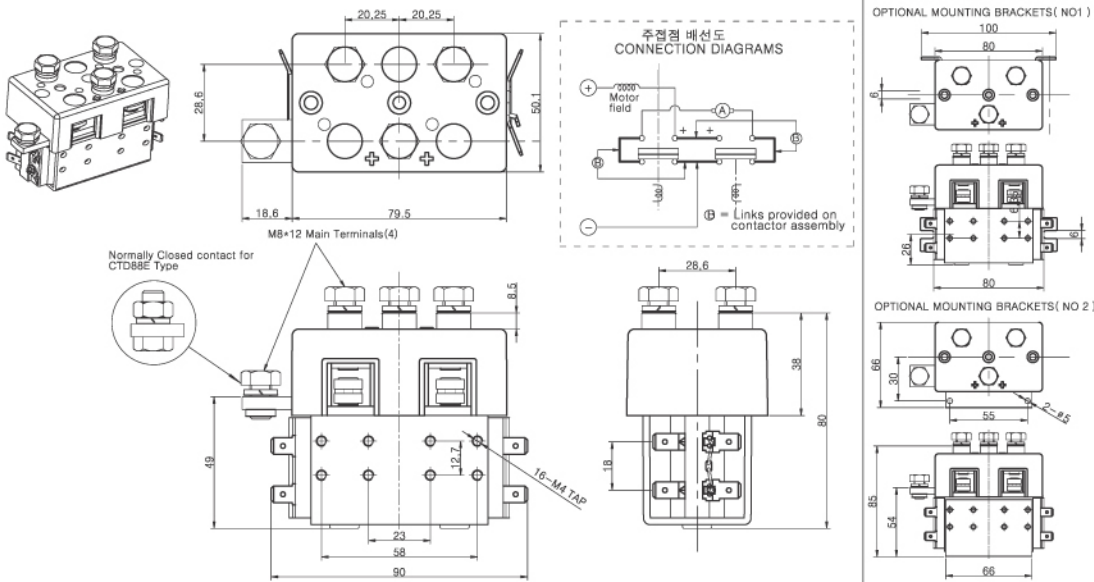


CTD88 Series

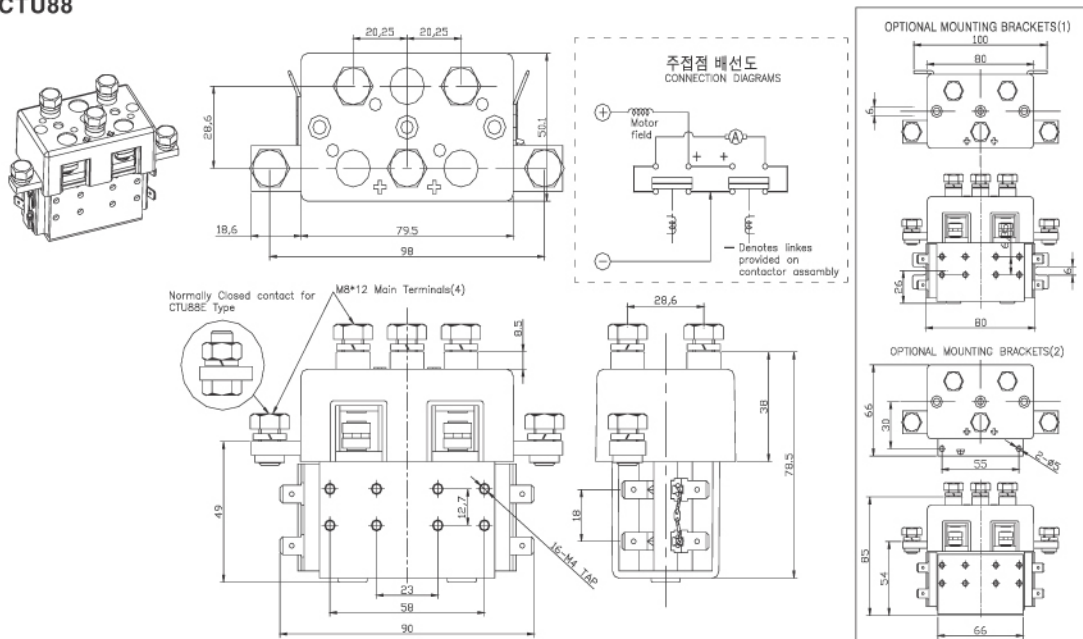
CTD88, CTU88, CTW88



외형치수도 (Dimension in mm) CTD88



외형치수도 (Dimension in mm) CTU88



CTD88 Series



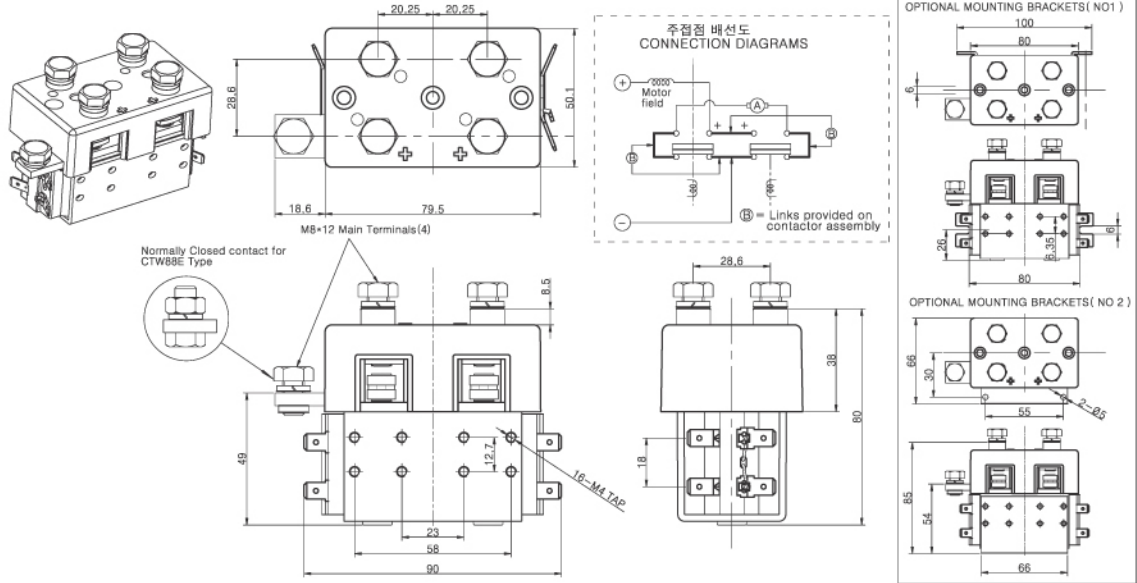
CTD88 Series

CTD88, CTU88, CTW88



외형치수도 (Dimension in mm)

CTW88



특성곡선 (Contact performance curve)

Max. continuous thermal current rating(amperes)

