

# CTD150 Series

CTD150, CTU150, CTW150



## 코일정격 (Magnet coil ratings)

| Nominal voltage(V) | Item | Intermittently resistance (Ω) | continuously resistance (Ω) | Pull-in voltage (V) | Drop-out voltage (V) | Max. voltage (V) | Coil power(W) dissipation |
|--------------------|------|-------------------------------|-----------------------------|---------------------|----------------------|------------------|---------------------------|
| DC                 | 80   | 212                           | 427                         | 66% max.            | 10% min.             | 110%             | Intermittently<br>30~40   |
|                    | 72   | 150                           | 417                         |                     |                      |                  |                           |
|                    | 60   | 102                           | 282                         |                     |                      |                  |                           |
|                    | 48   | 73                            | 150                         |                     |                      |                  |                           |
|                    | 36   | 44                            | 102                         |                     |                      |                  |                           |
|                    | 24   | 17                            | 44                          |                     |                      |                  |                           |
|                    | 12   | 5                             | 13                          |                     |                      |                  | Continuously<br>10~15     |

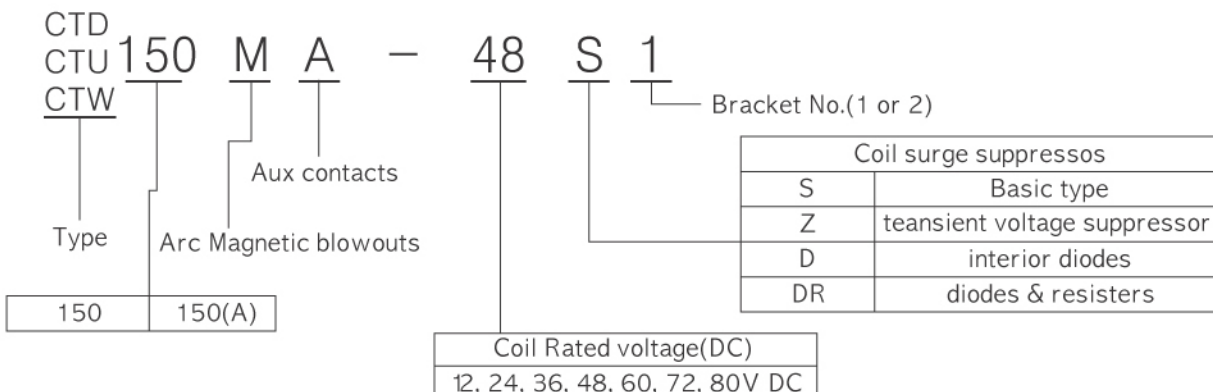
- Notes : 1. Nominal current and coil resistance are measured at +20℃.  
 2. Differences of coil resistance are ±15%.  
 3. Performance characteristic coil temperature is measured at 20℃.

## 접점정격 (Contact ratings)

(60VDC기준)

| Item                                  | Type | MONOBLOCK SINGLE POLE DOUBLE THROW   |
|---------------------------------------|------|--------------------------------------|
|                                       |      | POLE DOUBLE THROW<br>Motor reversing |
| Thermal current rating(100%)          |      | 150A (Continuous)                    |
| Max. switching voltage(DC)            |      | 96VDC (Without blowouts type)        |
| Voltage drop across contacts per 100A |      | 30mV max.(normally open)             |
| Voltage drop across contacts per 100A |      | 40mV max.(normally closed)           |

## 주문방법 (Ordering information)



CTD150 Series

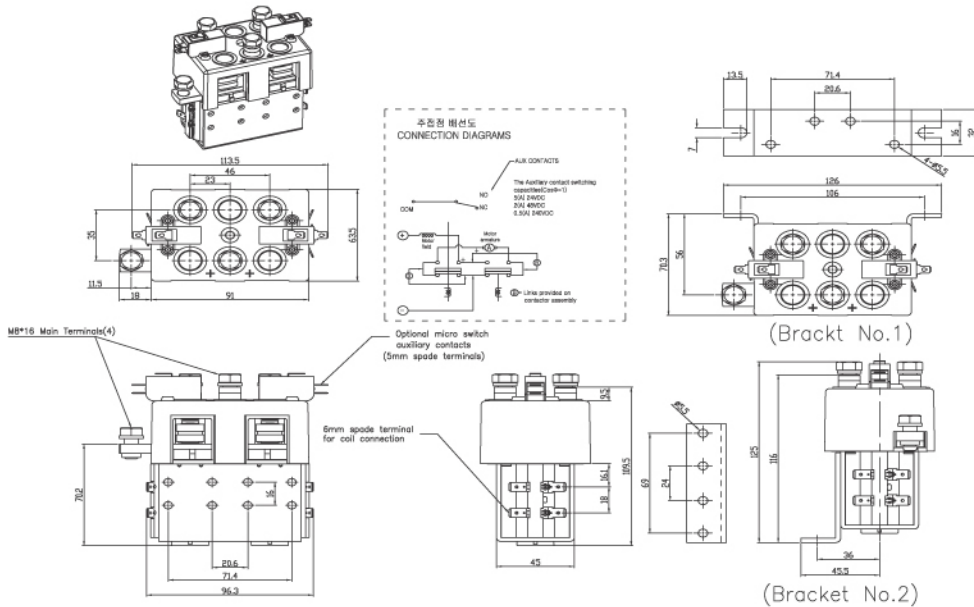


# CTD150 Series

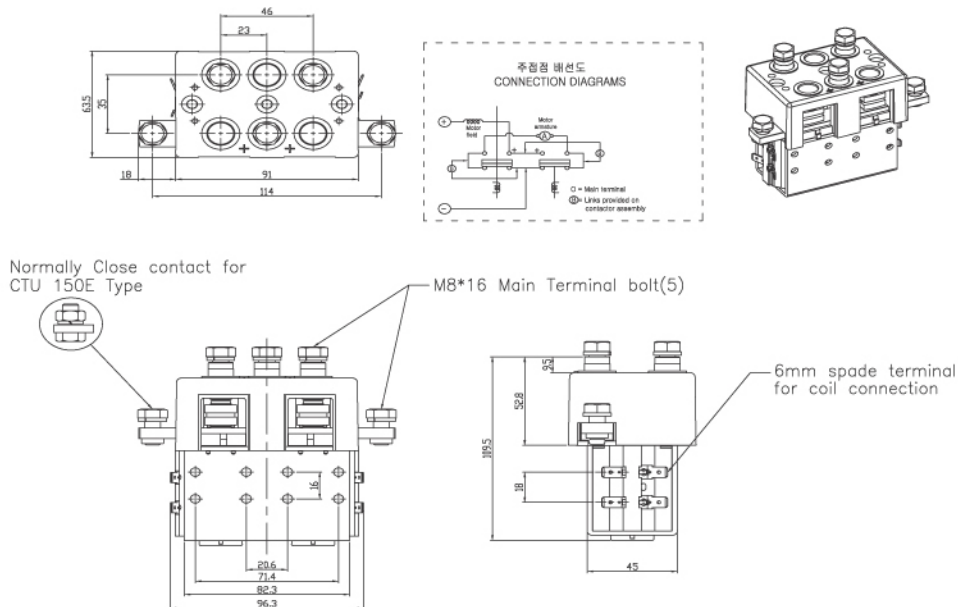
CTD150, CTU150, CTW150



## 외형치수도 (Dimension in mm) CTD150



## 외형치수도 (Dimension in mm) CTU150



CTD150 Series

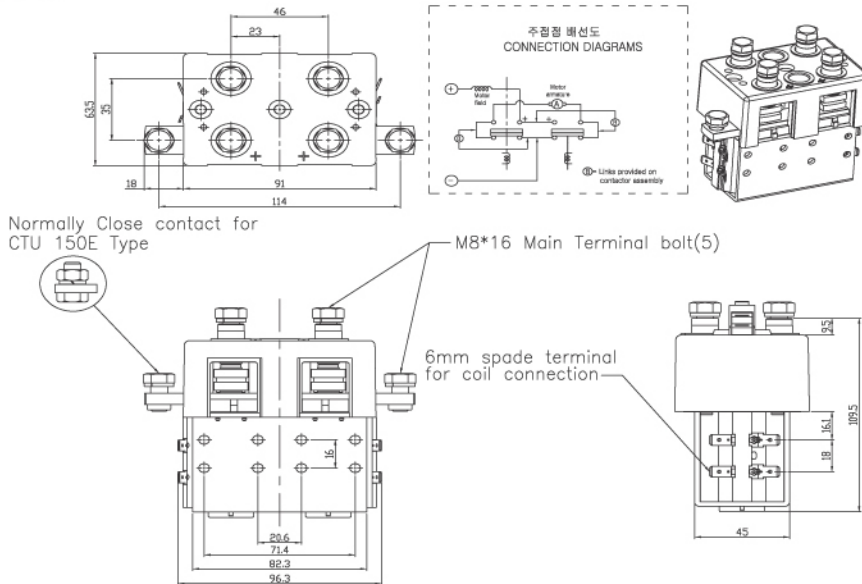
# CTD150 Series

CTD150, CTU150, CTW150



## 외형치수도 (Dimension in mm)

CTW150



## 특성곡선 (Contact performance curve)

Max. continuous thermal current rating(amperes)  
150A CONTINUOUS(연속)

