

Description

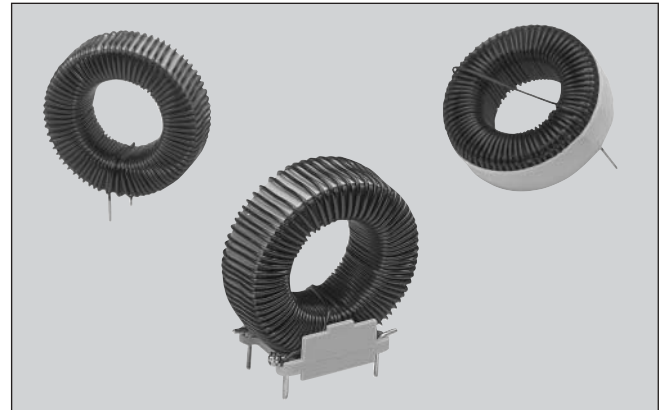
- Low loss, powdered iron cores with stable electrical operating characteristics maximize inductor efficiency by minimizing copper losses
- Available in vertical and horizontal self leaded and header mounted configurations
- Inductance values range from 10uH to 1000uH
- Current values range from 1.5 to 29.5 Amps
- Meets UL 94V-0 flammability standard

Applications

- Filters
- Buck and boost switches
- Chokes

Environmental Data

- Storage temperature range: -40C to 105C
- Operating ambient temperature range: -40C to +75C (range is application specific)



Packaging

- Supplied in bulk packaging

Family Table

Vertical Part Number	Horizontal Part Number	Header Mounted Part Number	Inductance μH (rated)	OCL ⁽¹⁾ μH +/- 20%	I _{DC} ⁽²⁾ Amperes	I _{SAT} ⁽³⁾ Amperes	Volt- μSec ⁽⁴⁾ $\mu\text{V}\mu\text{S}$	Energy ⁽⁵⁾ μJ	DCR (Ω) ⁽⁶⁾ max
CTX10-1-52	CTX10-1-52LP	CTX10-1-52M	10	10.14	2.4	2.1	5.4	15	0.0481
CTX20-1-52	CTX20-1-52LP	CTX20-1-52M	20	20.22	1.8	2.2	7.8	36	0.0829
CTX50-1-52	CTX50-1-52LP	CTX50-1-52M	50	50.29	2.6	2.7	16.3	130	0.0715
CTX100-1-52	CTX100-1-52LP	CTX100-1-52M	100	100.40	2.5	2.4	27.5	197	0.1060
CTX150-1-52	CTX150-1-52LP	CTX150-1-52M	150	151.70	2.1	2.3	35.7	283	0.1620
CTX250-1-52	CTX250-1-52LP	CTX250-1-52M	250	250.90	1.9	2.2	47.8	421	0.2210
CTX500-1-52	CTX500-1-52LP	CTX500-1-52M	500	505.00	1.7	1.9	77.9	645	0.3610
CTX750-1-52	CTX750-1-52LP	CTX750-1-52M	750	754.40	1.8	2.4	114.3	1530	0.4340
CTX1000-1-52	CTX1000-1-52LP	CTX1000-1-52M	1000	1004.00	1.5	2.1	131.9	1530	0.6380
CTX10-2-52	CTX10-2-52LP	CTX10-2-52M	10	9.60	4.7	4.5	6.6	68	0.0183
CTX20-2-52	CTX20-2-52LP	CTX20-2-52M	20	19.60	3.2	3.2	9.4	69	0.0392
CTX50-2-52	CTX50-2-52LP	CTX50-2-52M	50	50.00	4.9	4.9	21.3	420	0.0326
CTX100-2-52	CTX100-2-52LP	CTX100-2-52M	100	101.70	4.4	4.3	35.0	643	0.0534
CTX150-2-52	CTX150-2-52LP	CTX150-2-52M	150	148.00	4.3	4.0	47.6	829	0.0719
CTX250-2-52	CTX250-2-52LP	CTX250-2-52M	250	251.10	4.2	4.2	66.0	1540	0.0833
CTX500-2-52	CTX500-2-52LP	CTX500-2-52M	500	499.40	3.1	3.3	104.0	1890	0.1830
CTX750-2-52	CTX750-2-52LP	CTX750-2-52M	750	749.30	3.4	3.4	147.3	2960	0.2080
CTX10-5-52	CTX10-5-52LP	CTX10-5-52M	10	9.68	8.7	11.1	9.4	417	0.0104
CTX20-5-52	CTX20-5-52LP	CTX20-5-52M	20	21.25	7.8	9.3	16.0	643	0.0260
CTX50-5-52	CTX50-5-52LP	CTX50-5-52M	50	49.60	7.6	9.4	29.3	1530	0.0248
CTX100-5-52	CTX100-5-52LP	CTX100-5-52M	100	97.20	8.2	7.5	45.7	1890	0.0267
CTX150-5-52	CTX150-5-52LP	CTX150-5-52M	150	150.60	7.7	7.5	66.0	2960	0.0401
CTX250-5-52	CTX250-5-52LP		250	254.40	9.2	8.1	102.4	5860	0.0400
CTX10-7-52	CTX10-7-52LP	CTX10-7-52M	10	10.04	11.4	13.5	11.0	640	0.0080
CTX20-7-52	CTX20-7-52LP	CTX20-7-52M	20	20.96	11.4	14.5	19.1	1540	0.0110
CTX50-7-52	CTX50-7-52LP	CTX50-7-52M	50	52.27	10.5	10.2	33.5	1900	0.0163
CTX100-7-52	CTX100-7-52LP		100	101.40	12.0	9.1	54.2	2960	0.0167
CTX150-7-52	CTX150-7-52LP		150	152.80	12.8	10.5	79.3	5900	0.0204
CTX10-10-52	CTX10-10-52LP		10	10.04	16.9	20.9	13.2	1530	0.0051
CTX20-10-52	CTX20-10-52LP		20	21.17	16.0	16.0	21.3	1900	0.0070
CTX50-10-52	CTX50-10-52LP		50	52.37	13.9	12.7	38.9	2960	0.0124
CTX100-10-52	CTX100-10-52LP		100	99.38	17.6	13.0	64.0	5880	0.0109
CTX10-16-52	CTX10-16-52LP		10	9.90	27.3	29.3	16.9	2970	0.0032
CTX20-16-52	CTX20-16-52LP		20	19.24	31.5	29.5	28.1	5860	0.0034

Notes: (1) Open circuit inductance test parameters: 100kHz, 0.250Vrms, 0 Adc.
(2) DC current for an approximate ΔT of 30°C at 75°C Ambient with no core loss. See Chart 2 for derating of I_{DC} with core loss.
(3) Peak current for an approximate 30% roll-off in OCL. For other current levels see Chart 1.
(4) Applied Volt-Time product (V μS) across the inductor. This value represents the V μS at 100kHz necessary to generate a core loss equal to 10% of the total losses for 30°C rise. For other frequencies and operating levels see Chart 2. (Note: skin effect losses not included.)
(5) Energy storage (μJ) at I_{SAT}. For other current levels see Chart 1.
(6) Maximum D.C. resistance at 20°C.

Mechanical Diagrams

Vertical and Horizontal Self Leaded Mounting Options								
Vertical P/N See Figure 1	Horizontal P/N See Figure 2	OD (max)	ID (typ)	Ht (max)	X (typ)	Y (typ)	T (typ)	H (typ)
CTX10-1-52	CTX10-1-52LP	8.6	0.0	4.7	3.8	7.3	0.42	0.67
CTX20-1-52	CTX20-1-52LP	9.1	0.0	6.7	5.6	7.4	0.37	0.62
CTX50-1-52	CTX50-1-52LP	16.2	4.2	9.0	7.5	13.7	0.58	0.83
CTX100-1-52	CTX100-1-52LP	15.5	4.2	12.4	10.7	13.7	0.58	0.83
CTX150-1-52	CTX150-1-52LP	20.7	6.6	9.4	7.8	18.8	0.52	0.77
CTX250-1-52	CTX250-1-52LP	20.9	6.0	13.0	11.0	18.8	0.52	0.77
CTX500-1-52	CTX500-1-52LP	24.0	9.0	15.3	14.0	21.2	0.52	0.77
CTX750-1-52	CTX750-1-52LP	29.8	11.7	17.4	15.6	28.2	0.52	0.77
CTX1000-1-52	CTX1000-1-52LP	29.8	11.7	17.1	15.5	28.0	0.46	0.71
CTX10-2-52	CTX10-2-52LP	12.7	0.0	7.8	6.3	11.0	0.71	0.96
CTX20-2-52	CTX20-2-52LP	12.5	0.0	7.5	6.3	11.0	0.58	0.83
CTX50-2-52	CTX50-2-52LP	21.6	6.1	13.6	11.0	19.5	0.89	1.14
CTX100-2-52	CTX100-2-52LP	24.0	8.8	16.6	13.9	21.8	0.89	1.14
CTX150-2-52	CTX150-2-52LP	30.6	11.2	11.4	9.3	28.5	0.80	1.05
CTX250-2-52	CTX250-2-52LP	31.2	9.1	19.0	15.7	28.5	0.89	1.14
CTX500-2-52	CTX500-2-52LP	36.7	11.7	14.8	12.5	34.5	0.71	0.96
CTX750-2-52	CTX750-2-52LP	43.3	19.9	18.2	15.8	41.5	0.80	1.05
CTX10-5-52	CTX10-5-52LP	22.2	5.4	13.9	11.5	19.9	1.11	1.36
CTX20-5-52	CTX20-5-52LP	24.5	8.8	16.6	14.5	22.0	0.89	1.14
CTX50-5-52	CTX50-5-52LP	32.3	10.1	18.9	16.5	28.8	1.11	1.36
CTX100-5-52	CTX100-5-52LP	37.8	11.2	16.8	13.6	35.5	1.24	1.49
CTX150-5-52	CTX150-5-52LP	46.4	18.8	19.8	16.8	43.4	1.24	1.49
CTX250-5-52	CTX250-5-52LP	53.7	18.8	24.3	20.1	49.4	1.38	1.63
CTX10-7-52	CTX10-7-52LP	25.7	6.5	18.0	16.0	22.4	1.38	1.63
CTX20-7-52	CTX20-7-52LP	32.4	8.5	19.8	16.8	29.2	1.38	1.63
CTX50-7-52	CTX50-7-52LP	39.0	10.8	16.8	13.9	35.7	1.38	1.63
CTX100-7-52	CTX100-7-52LP	48.5	17.1	21.8	17.2	43.4	1.73	1.98
CTX150-7-52	CTX150-7-52LP	54.5	17.1	25.4	21.2	50.9	1.73	1.98
CTX10-10-52	CTX10-10-52LP	34.0	7.0	21.4	17.0	29.6	1.73	1.98
CTX20-10-52	CTX20-10-52LP	40.5	9.0	18.0	14.3	35.2	1.73	1.98
CTX50-10-52	CTX50-10-52LP	47.5	17.1	21.3	17.5	42.8	1.73	1.98
CTX100-10-52	CTX100-10-52LP	57.0	15.0	27.5	21.3	50.6	2.15	2.45
CTX10-16-52	CTX10-16-52LP	50.3	13.0	24.0	18.6	43.0	2.41	2.70
CTX20-16-52	CTX20-16-52LP	59.0	13.0	28.0	23.0	50.7	2.69	2.99

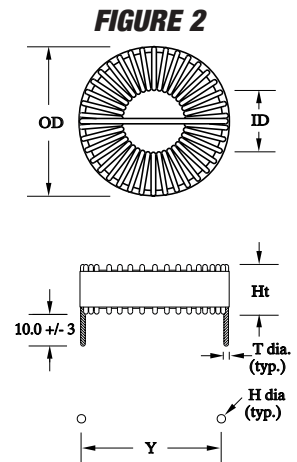
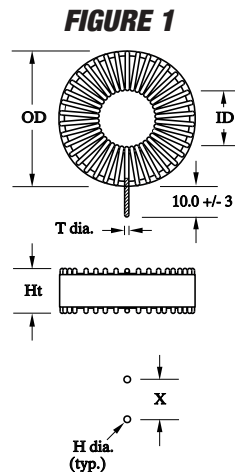
Note: All dimensions are in millimeters.



**VERTICAL
SELF LEADED
MOUNT**



**HORIZONTAL
SELF LEADED
MOUNT**



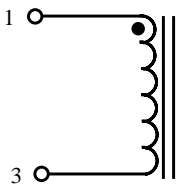
Drawings are not to scale.

Header Mounted Option

Header Mounted Part Number	See Figure #	OD (max)	A (max)	B (max)	C (max)	X (typ)	Y (typ)	T (typ)	H (typ)
CTX10-1-52M	3	8.6	9.4	9.4	6.9	6.5	6.5	—	—
CTX20-1-52M	3	9.1	9.4	9.4	9.0	6.5	6.5	—	—
CTX50-1-52M	4	16.2	19.6	16.1	20.0	15.3	6.4	—	—
CTX100-1-52M	4	15.5	19.6	16.1	19.7	15.3	6.4	—	—
CTX150-1-52M	4	20.7	19.6	16.1	24.2	15.3	6.4	—	—
CTX250-1-52M	5	20.9	31.0	16.0	22.5	20.3	10.2	1.20	1.45
CTX500-1-52M	5	24.0	35.4	21.7	25.0	23.0	15.4	1.20	1.45
CTX750-1-52M	5	29.8	35.4	21.7	31.6	23.0	15.4	1.20	1.45
CTX1000-1-52M	5	29.8	35.4	21.7	31.2	23.0	15.4	1.20	1.45
CTX10-2-52M	3	12.7	13.6	11.4	11.7	10.8	7.5	—	—
CTX20-2-52M	3	12.5	13.6	11.4	11.4	10.8	7.5	—	—
CTX50-2-52M	5	21.6	31.0	16.0	23.5	20.3	10.2	1.20	1.45
CTX100-2-52M	5	24.0	35.4	21.7	26.0	23.0	15.4	1.20	1.45
CTX150-2-52M	5	30.6	31.0	16.0	32.5	20.3	10.2	1.20	1.45
CTX250-2-52M	5	31.2	35.4	21.7	33.4	23.0	15.4	1.20	1.45
CTX500-2-52M	5	36.7	31.0	16.0	38.4	20.3	10.2	1.20	1.45
CTX750-2-52M	5	43.3	35.4	21.7	45.4	23.0	15.4	1.20	1.45
CTX10-5-52M	5	22.2	31.0	16.0	22.7	20.3	10.2	1.20	1.45
CTX20-5-52M	5	24.5	35.4	21.7	25.5	23.0	15.4	1.20	1.45
CTX50-5-52M	5	32.3	35.4	21.7	33.7	23.0	15.4	1.11	1.36
CTX100-5-52M	5	37.8	35.4	21.7	40.2	23.0	15.4	1.24	1.49
CTX150-5-52M	5	46.4	35.4	21.7	47.0	23.0	15.4	1.24	1.49
CTX10-7-52M	5	25.7	35.4	21.7	26.7	23.0	15.4	1.38	1.63
CTX20-7-52M	5	32.4	35.4	21.7	34.2	23.0	15.4	1.38	1.63
CTX50-7-52M	5	39.0	35.4	21.7	40.3	23.0	15.4	1.38	1.63

Note: All dimensions are in millimeters.

CONNECTION DIAGRAM



HEADER MOUNT

FIGURE 3

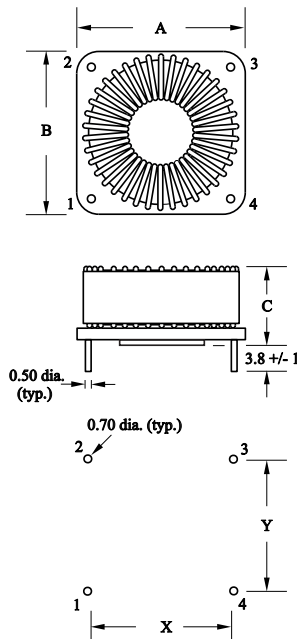


FIGURE 4

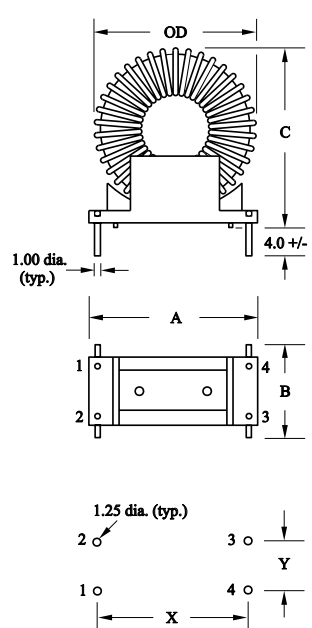
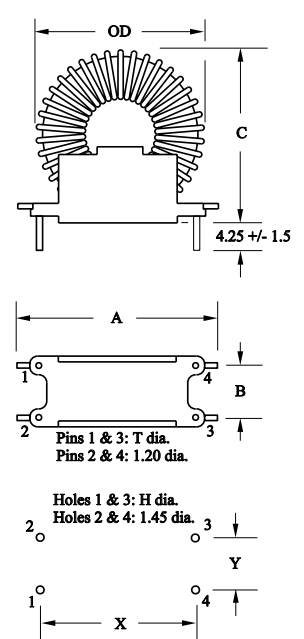
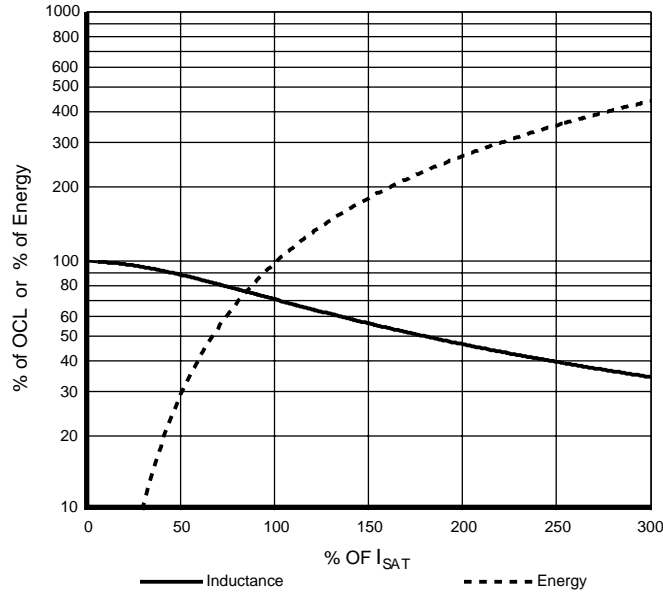


FIGURE 5



Drawings are not to scale.

Typical Inductance and Energy vs DC Current



Winding Loss Derating with Core Loss

