

FEATURES

- Rise/Fall Time (at the Cathode) 12ns
- Swing 100V_{P-P}
- Supply Voltage 150V
- Pin to Pin Compatible to CVA1405T

APPLICATIONS

- CRT driver for 14" or 15" monitors with resolution up to 1024 x 768

DESCRIPTION

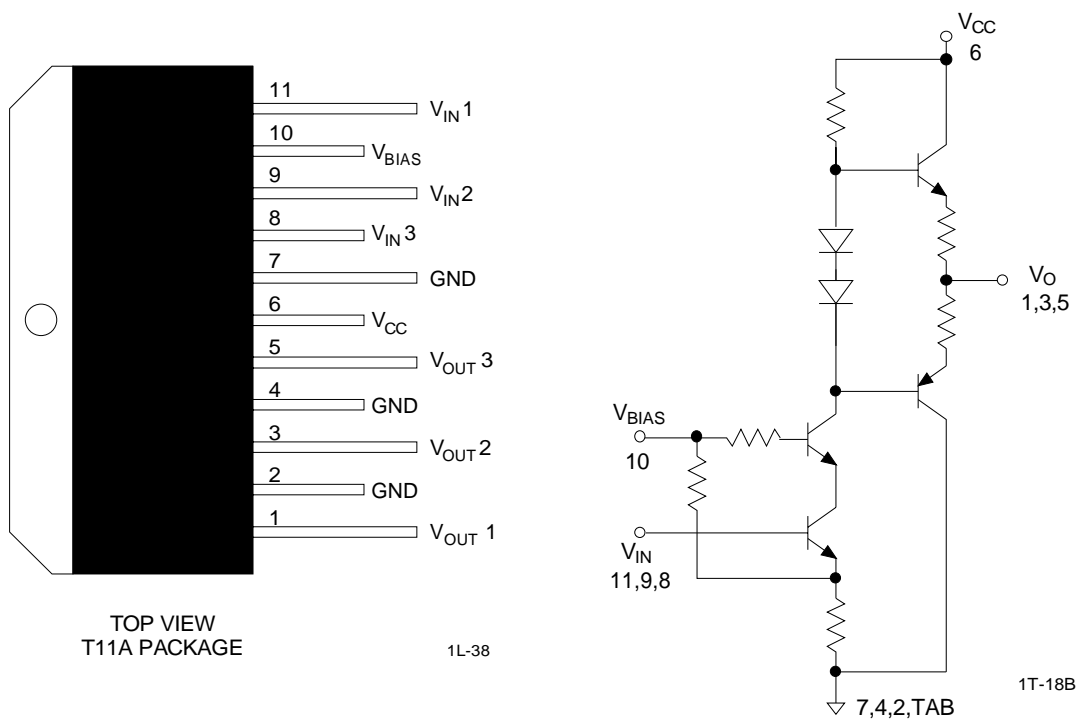
The CVA1406T contains three high voltage amplifiers with swing range of more than 90V_{P-P} at 120V supply. It is ideal for DC coupled applications, thus reducing the cost by eliminating DC bias components. It can deliver 12ns video signal, suitable for 14" and 15" applications.

The product is housed in the industry standard 11 lead TO-220 molded power package.

ORDERING INFORMATION

Part	Package	Temperature
CVA1406T	T11A	-20°C to +100°C

CONNECTION DIAGRAM



ABSOLUTE MAXIMUM RATINGS

Supply Voltage 150V Operating Temperature -20°C to +100°C
 Storage Temperature -25°C to +125°C Lead Temperature +300°C

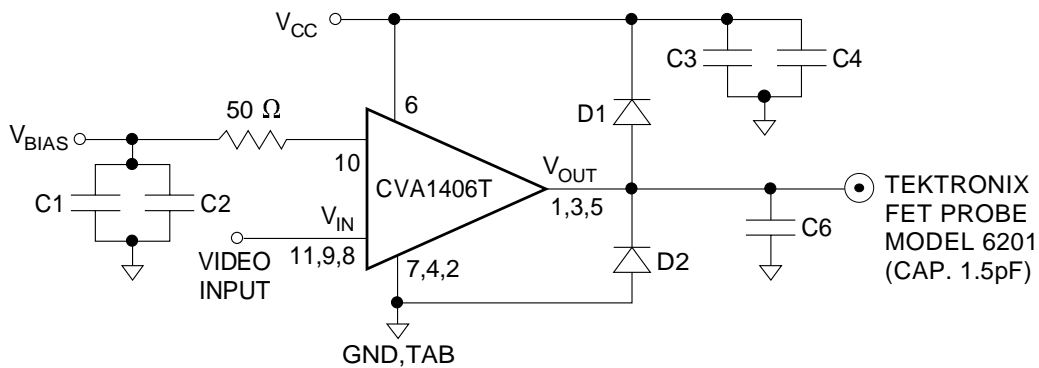
DC ELECTRICAL CHARACTERISTICS $V_s = 120V$, $DC_{INPUT\ BIAS} = 12V$, $V_{IN} = 2.5V$, $T_{CASE} = +25^\circ C$.
 See Figure 1.

SYMBOL	CHARACTERISTICS	MIN	TYP	MAX	UNITS
I_{CC}	Supply Current		15	18	mA
$V_{OUT\ DC}$	Output DC Level at $V_{IN} = 1.2V$		110		V
A_v	Voltage Gain	13	15	17	V
	Gain Matching		0.2		dB

AC ELECTRICAL CHARACTERISTICS $V_s = 120V$, $C_L = 8pF$, $DC_{INPUT\ BIAS} = 12V$, $V_{OUT} = 50V_{p-p}$.
 $T_{CASE} = +25^\circ C$. See Figure 1.

SYMBOL	CHARACTERISTICS	MIN	TYP	MAX	UNITS
T_r	Rise Time		12		ns
T_f	Fall Time		12		ns
L_e	Linearity		5		%
OS	Overshoot/Undershoot		3		%

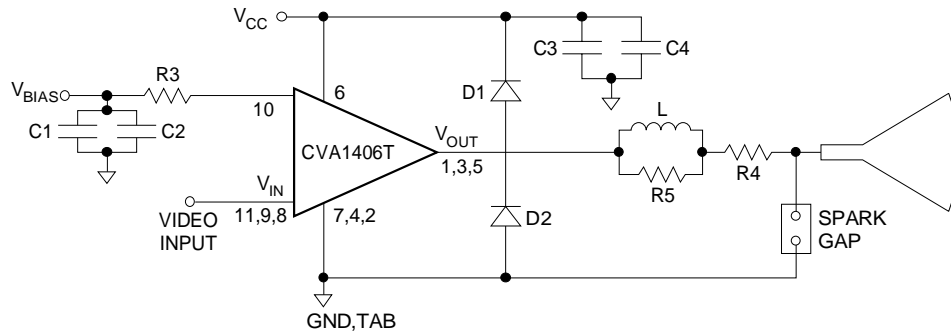
FIGURE 1. TEST CIRCUIT



$C1 = 0.01\mu F$ $C4 = 100\mu F$ $D1, D2 = FHD400$
 $C2 = 100\mu F$ $C6 = 8pF$
 $C3 = 0.1\mu F$

1U-05

FIGURE 2. APPLICATION CIRCUIT



- | | | |
|----------------|-------------|-----------------|
| R3 = 47Ω | C1 = 0.01μF | D1, D2 = FHD400 |
| R4 = 47(1/2W)Ω | C2 = 100μF | L = 330 - 390nH |
| R7 = 33Ω | C3 = 0.1μF | |
| R8 = 39Ω | C4 = 100μF | |
| R10 = 680Ω | | |

1U-06