



CW2017

Fuel Gauge IC with ID Measurement Function

Features

- System-Side or Pack-Side Fuel Gauging
- $\pm 3\%$ Maximum SOC Measurement Error
- 14-bit Sigma-Delta ADC for Cell Voltage, Temperature and ID Resistor Measurement
- Configurable Interrupt for Battery SOC Change, High or Low Battery Temperature
- No Offset Accumulation During Life Time
- No Full-to-Empty Battery Learning Cycle
- No Sense Resistor Required
- Patented “FastCali” Fuel Gauging Algorithm
- External Thermistor or Host Reported Temperature
- ID Resistor Measurement Supported
- Ultra-low Power Consumption
 - Normal Mode $17\mu\text{A}$
 - Sleep Mode $<1\mu\text{A}$
- General I²C Interface
- Tiny, Lead(Pb)-Free, TDFN 2mm x 2mm-8L Package

Applications

- Smartphone
- Tablet PCs
- Handheld and Portable Devices
- Lithium-ion or Lithium Polymer Battery Packs

General Description

The CW2017 is an ultra-compact, system-side or pack-side, sensing resistor free, fuel gauging IC for Lithium-ion(Li+) based batteries in handheld and portable devices.

The CW2017 tracks the Li+ battery’s operation conditions and performs state-of-the-art algorithm to calculate the relative State-of-Charge (SOC) of very different battery chemistry systems (LiCoOx, polymer Li-ion, LiMnOx etc.).

The CW2017 includes a 14-bit Sigma-Delta ADC, a precision voltage reference and build-in NTC bias circuits. The IC allows users to eliminate the expensive current sensing resistor which usually occupies very large PCB area. The IC sends out the interrupt alarm signal if the battery SOC level or the temperature that the chip measured or the host reported reaches the pre-programmed threshold.

The CW2017 integrates the ID resistor sensing feature. It can also be used as an alternative sensing port.

The CW2017 uses a 2-wire I²C compatible serial interface that operates in standard (100kHz) mode or fast (400kHz) mode.

Typical Applications

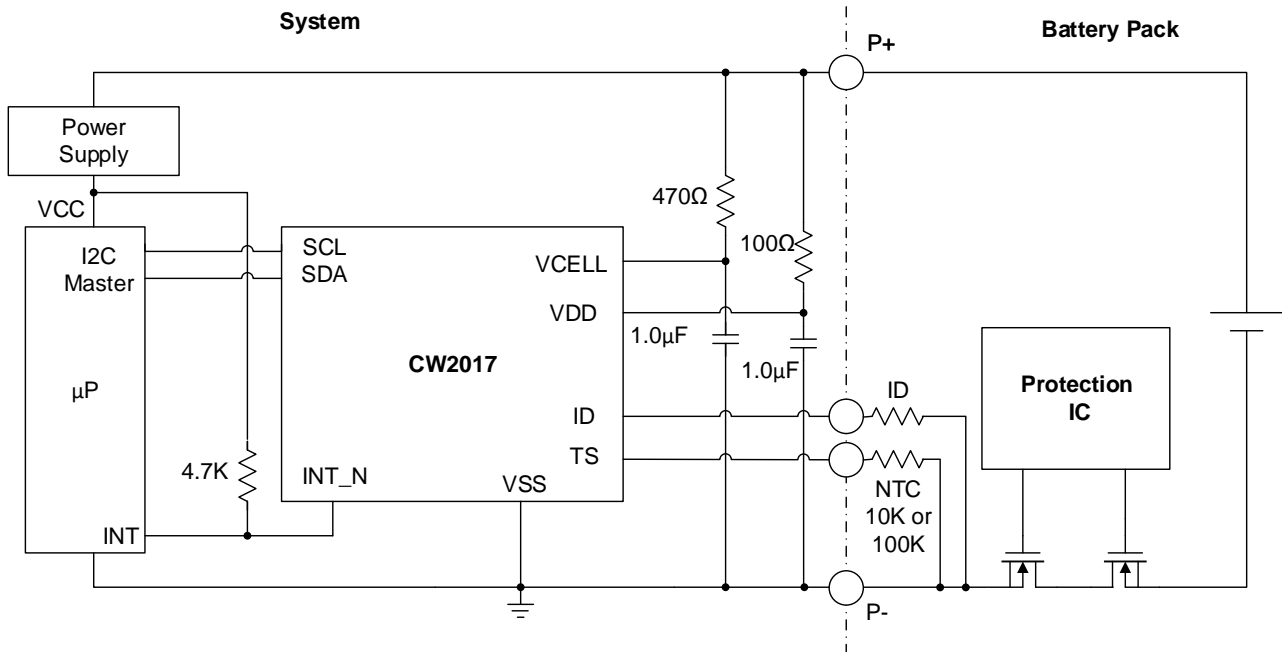


Figure 1. Typical Application for 1 Cell and System Side

Note: For NTC and ID resistors selection, please refers to section [Temperature Sensing & ID usage](#); please also add TVS diode at ID and TS pins when using in removable battery pack.

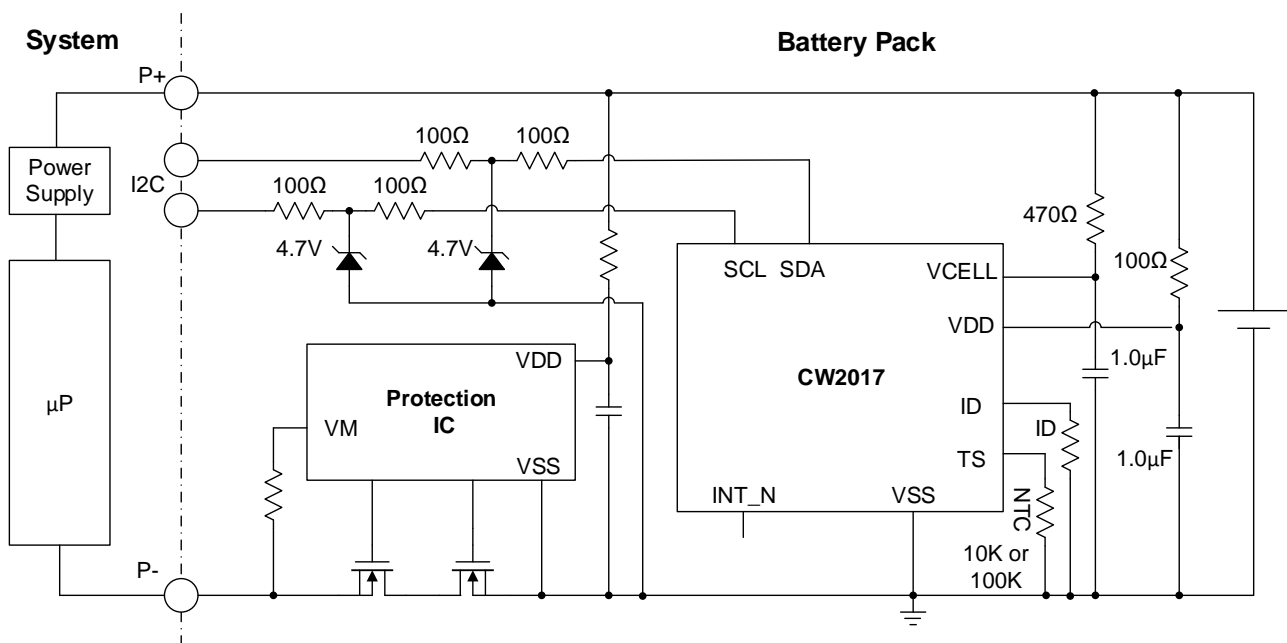


Figure 2. Typical Application for 1 Cell and Pack Side

Note: For NTC and ID resistors selection, please refers to section [Temperature Sensing & ID usage](#).

The CW2017 can be used in application with multi-battery connected in series or in parallel. Please refers to the application note or contacts support@cellwise-semi.com for more support.

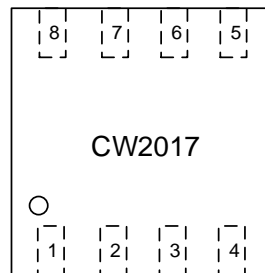
Ordering Information

PART	OPERATING TEMPERATURE	PACKAGE	TOP MARK
CW2017AAAD	-40°C to 85°C	TDFN8	2017AA ADXXXX
CW2017BAAD	-40°C to 85°C	TDFN8	2017BA ADXXXX

Note: XXXX stands for the manufacture info. Contact Cellwise for details.

Pin Configuration

TDFN Package Top view
2mm*2mm – 8pin
(Pad Side Down)

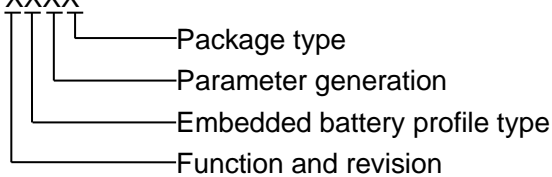


Pin Descriptions

PIN	NAME	DESCRIPTION
1	ID	ID measuring I/O. It can be left floating if unused.
2	VCELL	Battery voltage monitor I/O.
3	VDD	System power supply.
4	VSS	General purpose ground connection.
5	INT_N	Alarm signal for MCU interrupt controller. It can be left floating if unused.
6	TS	Thermistor measuring I/O. It can be left floating if unused.
7	SCL	Serial clock input.
8	SDA	Serial data input/output.

Type Number

CW2017XXXX



D: TDFN 2mm*2mm-8L
A: Standard parameter, A version
A: Standard Li-Polymer profile*
A/B: Product generation

*This only means the embedded profile for test is Li-polymer, not means the CW2017 is only used for Li-polymer battery. The CW2017 is compatible with Li-ion, Li-polymer and other type Li batteries.

Absolute Maximum Ratings

		VALUE		UNITS
		MIN	MAX	
Voltage respect to VSS	ID, CELL, VDD, INT_N, TS, SCL, SDA	-0.3	6	V
Output Current	INT_N, SDA		10	mA
Operation Temperature	T _A	-40	85	°C
Junction Temperature	T _J	-40	150	°C
Storage Temperature	T _{STG}	-50	150	°C
ESD	All pins. HBM model.		±2000	V
Moisture Sensitivity Level	MSL	Level 3		

Caution:

Stresses beyond "Absolute Maximum Ratings" condition may cause permanent damage to the device. These are stress ratings only and functional operation of the device at these or any other beyond those indicated in the operational sections of the specifications is not implied. Exposure to absolute maximum rating conditions for extended periods may affect device reliability.

Recommended DC Operating Conditions

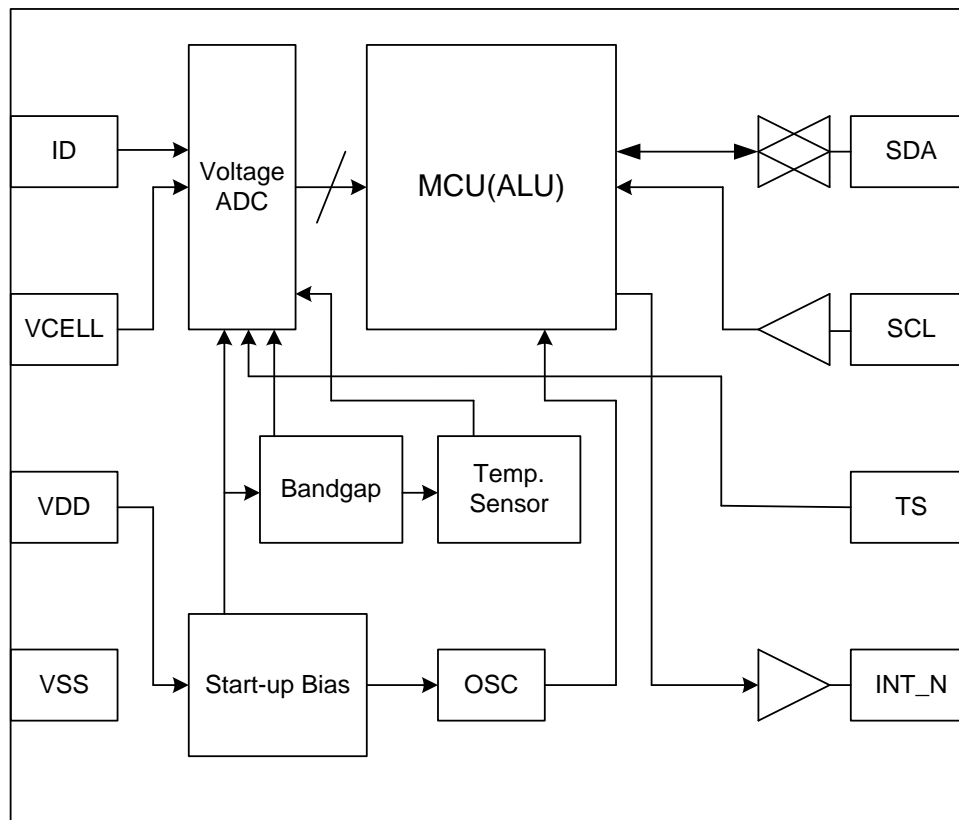
PARAMETER	DESCRIPTION	MIN	MAX	UNITS
Input Voltage Range	ID, VCELL, VDD, INT_N, TS, SCL, SDA	-0.3	5.5	V
I ² C Clock Frequency			400	kHz
Operation Temperature		-40	85	°C

Electrical Characteristics

$2.5 \leq V_{DD} \leq 4.9$, $T_A = -40$ to 85°C , unless otherwise specified

PARAMETER	SYMBOL	CONDITIONS	MIN	TYP	MAX	UNIT
POWER SUPPLY CONTROL						
VDD power on threshold	V_{ON_VDD}	I2C communication enable		2.4		V
VDD power off threshold	V_{OFF_VDD}	I2C communication stop		2.2		V
QUIESCENT CURRENT						
Sleep mode current	I_{SLEEP}			0.6	1	μA
Normal mode current	I_{NOR}	cell voltage is 3.7V		17		μA
CELL VOLTAGE MEASUREMENT ADC CHARACTERISTICS						
Cell pin measurement range	V_{CELL_R}		2.5		4.9	V
Conversion time	t_{CELL_CONV}			5		ms
Effective bits				14		bits
Measurement resolution	V_{LSB_CELL}			312.5		μV
Measurement error	V_{ERR_CELL}	$T_A = 25^\circ\text{C}$ and cell voltage is 4V	-8		8	mV
		$T_A = -40$ to 85°C and cell voltage is 4V	-12		12	mV
TS PIN TEMPERATURE ADC CHARACTERISTICS						
Measurement range	V_{TS_R}		0		2.2	V
Conversion time	t_{TS_CONV}			5		ms
Effective bits				14		bits
Measurement resolution	V_{LSB_TS}			312.5		μV
Measurement error	V_{ERR_TS}	$T_A = 25^\circ\text{C}$ and cell voltage is 4V	-8		8	mV
		$T_A = -40$ to 85°C and cell voltage is 4V	-12		12	mV
ID PIN VOLTAGE MEASUREMENT ADC CHARACTERISTICS						
Measurement range	V_{ID_R}		0		2.2	V
Conversion time	t_{ID_CONV}			5		ms
Effective bits				14		bits
Measurement resolution	V_{LSB_ID}			312.5		μV
Measurement error	V_{ERR_ID}	$T_A = 25^\circ\text{C}$ and cell voltage is 4V	-8		8	mV
		$T_A = -40$ to 85°C and cell voltage is 4V	-12		12	mV
DIGITAL IO CHARACTERISTICS						
Input voltage, high	V_{IH}		1.4			V
Input voltage, low	V_{IL}				0.5	V
Output voltage, low	V_{OL}	with 4mA current sink			0.4	V

Functional Block Diagram



Notes: Some buffer blocks are omitted

Detailed Description

Power State

By default, after power up, the CW2017 stays in sleep mode to minimize power consumption. The device needs two steps to enter normal operation mode: step one, clear sleep register by writing 0x30 to REG 0x08; step two, clear restart register by writing 0x00 to REG 0x08. When exit from sleep mode, the chip will reset and report a brand-new SOC basing on the latest battery status.

In normal operation mode, host controller can also restart the CW2017 operation by writing 0x30 to REG 0x08 and then 0x00 to REG 0x08. After restart operation, the CW2017 will reboot the firmware and restart the normal operation procedure.

FastCali Algorithm

From battery OCV (open circuits voltage), the CW2017 could deduce the SOC (state of charge) of this battery. There are two ways to obtain OCV: one is to use the idle battery voltage that has been relaxed at least for half an hour; the other is to use battery voltage adding the internal resistor voltage drop when charging or discharging.

Combined the creative “equipment current track” technology, which precisely calculates the present voltage drop on the battery internal resistor, with the “FastCali” algorithm, the CW2017 can promptly infer the OCV value no matter the battery is in charging, relaxing or discharging state.

First SOC Estimation after Power Up

The CW2017 considers the battery as a free one that has been relaxed more than 0.5 hours when power up. It treats the battery voltage measured by the 14bits ADC as an OCV voltage. According to this voltage, the CW2017 deduces the first SOC value. The algorithm heals the initial error of the first SOC during the normal use afterwards.

Temperature Sensing & ID usage

The TS pin is an external battery temperature sensing pin and the driving circuit is integrated. Make sure to add one NTC thermistor between the TS and VSS pins directly when using the CW2017AAAD since it does not support host reported temperature.

The CW2017BAAD supports external NTC thermistor or host reported temperature, and the default is external NTC thermistor. By setting a dedicated selecting bit in Battery Profile, the chip will take the host reported temperature into the algorithm and report SOC accordingly.

Please refers to below table for NTC selection:

Part	NTC Thermistor Supported	Remark
CW2017AAAD	R25C=10k Ω , $\beta(25/85)$ value = 3435K \pm 1%	Support 10k Ω NTC
	R25C=10k Ω , $\beta(25/50)$ value = 3380K \pm 1%	
CW2017BAAD	R25C=10k Ω , $\beta(25/85)$ value = 3435K \pm 1%	Support 10k Ω or 100k Ω NTC
	R25C=10k Ω , $\beta(25/50)$ value = 3380K \pm 1%	
	R25C=100k Ω , $\beta(25/50)$ value = 4250K \pm 1%	

Table 1. NTC Thermistor Selection

The ID pin is a general-purpose ADC input, which could be used in ID resistor identification application. Resistors of 7 values are recommended to use as ID resistor, including 1K, 4.7K, 10K, 18K, 33K, 68K and 200K. For other values, please consult and get confirmation from Cellwise.

Interrupt

The CW2017 have 3 interrupt sources: SOC change, Max. Temperature and Min. Temperature. The INT source enable bit should be set before used. If any INT event occur, the relevant register status bit in INT_CONF [3:0] of register 0x0A will be set and INT_N pin will generate a low pulse with about 1ms duration to inform the host. The host needs to clear the INT status bit to avoid to miss any new coming INT event.

Note that the 1ms low pulse will keep on popping up in the min. interval of 1s or longer until the current INT event is disappearing. An example of this scenario is the real-time temperature is over Max. Temperature continually.

Battery Profile

The battery profile of the CW2017 is programmable to match batteries with max. charging voltages of 4.20V, 4.35V, 4.40V or other values. User's battery needs to have battery characterization to get its exclusive profile for reporting more accurate SOC.

Besides battery related info, some configurations are integrated into Battery Profile, such as the enable/disable bit of the host reported temperature feature of the CW2017BAAD. Please contact Cellwise for details.

Register Map

Below table shows the I²C register map for the CW2017.

REGISTER NAME	ADDRESS	DESCRIPTION	READ/ WRITE	DEFAULT VALUE
VERSION	0x00	IC Version	R	0xA0
VCELL_H	0x02	CELL pin voltage conversion result, VCELL[13:8]	R	0x00
VCELL_L	0x03	CELL pin voltage conversion result, VCELL[7:0]	R	0x00
SOC_H	0x04	SOC result, SOC[15:8]	R	0x00
SOC_L	0x05	SOC result, SOC[7:0]	R	0x00
TEMP	0x06	Battery temperature	R	0x00
CONFIG	0x08	IC configuration	R/W	0xF0
INT_CONF	0x0A	Interrupt configuration	R/W	0x40
SOC_ALERT	0x0B	SOC interrupt threshold	R/W	0x14
TEMP_MAX	0x0C	Maximum temperature threshold	R/W	0xAA
TEMP_MIN	0x0D	Minimum temperature threshold	R/W	0x50
VOLT_ID_H	0x0E	ID pin voltage conversion result, VID[13:8]	R	0x00
VOLT_ID_L	0x0F	ID pin voltage conversion result, VID[7:0]	R	0x00
T_HOST_H*	0xA0	Host reported temperature, T_HOST[15:8]	R/W	0x00
T_HOST_L*	0xA1	Host reported temperature, T_HOST[7:0]	R/W	0x00

Table 2. CW2017 Registers Table

Note: * The register is only available for the CW2017BAAD.

VCELL Register (0x02~0x03)

The VCELL register is an **UNSIGNED** 14bit read-only register that updates continuously the battery terminal voltage. Battery voltage is measured between the VCELL pin to VSS pin as a ground reference. A 14bit sigma-delta A/D converter is used and the voltage resolution is 312.5uV for the CW2017. This A/D converter updates the cell voltage for a period of <10ms after IC POR and then four times a second afterwards.

$$V(uV) = Value_{(0x02\ 0x03\ DEC)} * 312.5$$

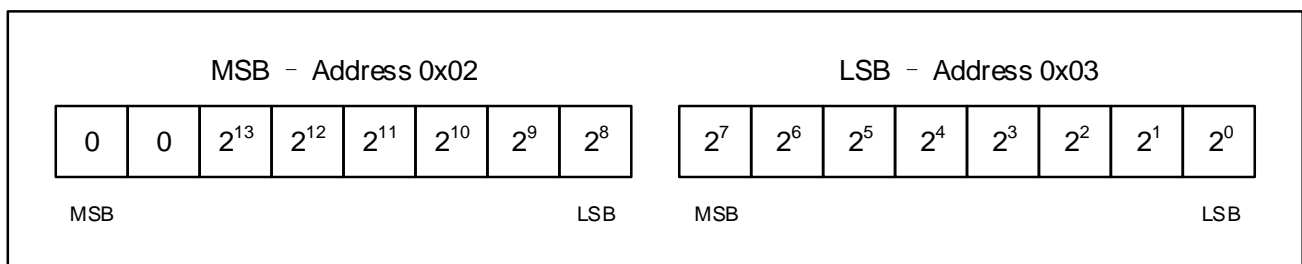


Figure 3. VCELL Register Format

SOC Register (0x04~0x05)

The SOC register is an **UNSIGNED** 16bit read-only register that indicates the State-of-Charge of the battery cell. SOC value is a relative concept which display as a percentage of the cell's total capacity. This register intrinsically adjusts itself to the change of battery cell's parameter due to aging, poor cell parameter distribution control or rapid change in total capacity.

In this register, the high 8bit part contains the SOC information in 1% units which can be directly used by end user if this accuracy is already good enough for application. The low 8bit part provides more accurate part of the SOC information and the LSB is 1/256%.

$$SOC(\%) = Value_{(0x04\ DEC)} + \frac{Value_{(0x05\ DEC)}}{256}$$

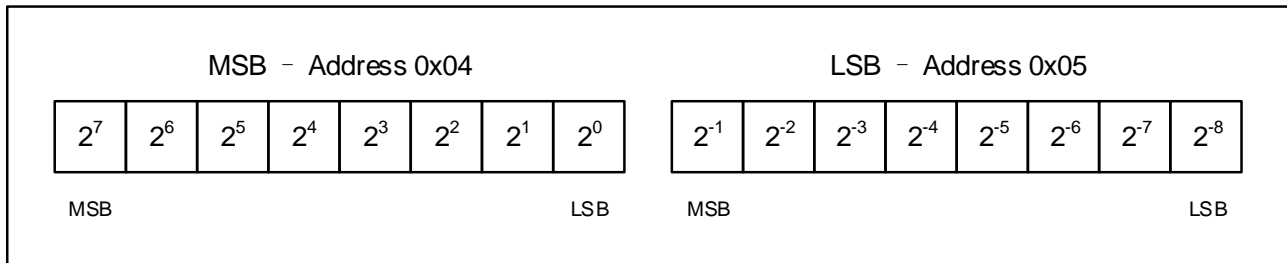


Figure 4. SOC Register Format

TEMP Register (0x06)

The TEMP register is an **UNSIGNED** 8bit read-only register. Temp Register reports real-time battery temperature. The scope is from -40 to 87.5 degrees Celsius, LSB is 0.5 degree Celsius.

$$TEMP(^\circ C) = -40 + \frac{Value_{(0x06\ DEC)}}{2}$$

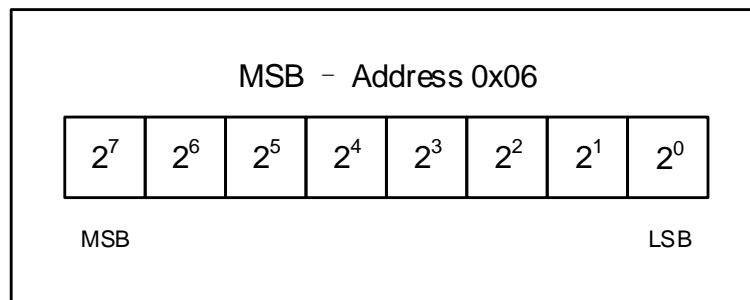


Figure 5. TEMP Register Format

CONFIG Register (0x08)

CONFIG register is used for Host to control the IC. The default value is 0xF0. SLEEP and RESTART bit are set 1.

To power up CW2017, host controller needs to write 0x30 to clear sleep mode, then write 0x00 to restart chip to enter normal mode. To reset chip, host controller needs to write 0x30 to enter reset mode, then write 0x00 to trigger restart. The CW2017 will reload battery profile and restart calculation. CONFIG [3:0] is reserved. Don't do any operation with it.

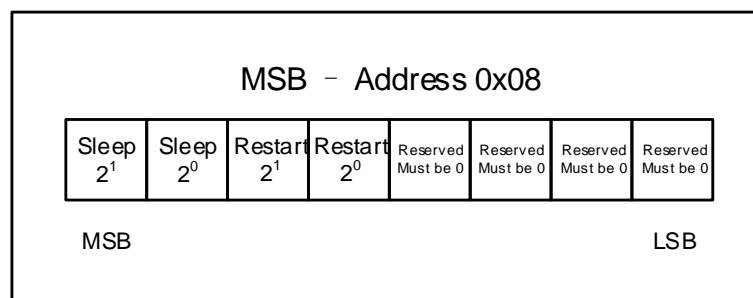


Figure 6. CONFIG Register Format

INT_CONF Register (0x0A)

INT_CONF [7:4] are used to enable interrupt, and INT_CONF [3:0] are used to indicate relative interrupt status. There are three interrupt sources.

SOC_INT indicates SOC change.

TMX_INT is the maximum temperature flag. It will be set when temperature is higher than TEMP_MAX value.

TMN_INT is the minimum temperature flag. It will be set when temperature is lower than TEMP_MIN value.

The bits of INT_CONF [3:0] should be clear once it is read by the host, otherwise, the new coming INT event could be missing.

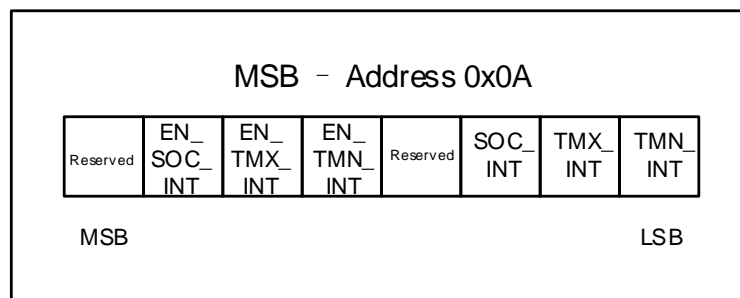


Figure 7. INT_CONF Register Format

SOC_ALERT Register (0x0B)

UPDATE_FLAG bit can be marked to “1” after battery profile update successfully by host controller to check whether chip has been reset. Default value is “0”.

SOC_ALERT [6:0] configures the specified SOC alert threshold to remind the host controller. For instance, set it to 0x14 means that SOC_INT will be set when SOC updates downward from 0x15 to 0x14 or upward from 0x13 to 0x14.

If set SOC_ALERT [6:0] to any value from 0x65 to 0x7F, the SOC_INT will generate as long as the integer part of SOC Register (register 0x04) has been changed.

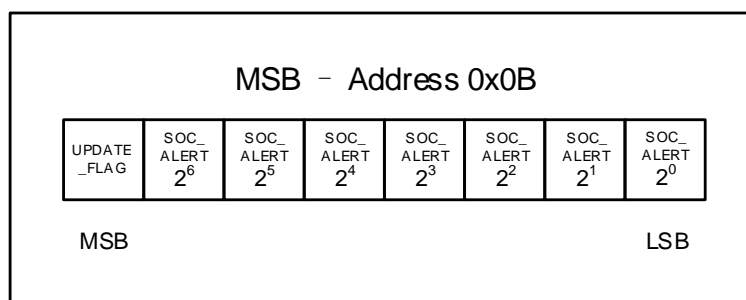


Figure 8. SOC_ALERT Register Format

TEMP_MAX Register (0x0C)

TEMP_MAX is the maximum temperature warning threshold.

When temperature reach this value, TMX_INT(0x0A) bit is set, and a low pulse is sent by INT_N pin.

$$TEMP_{MAX}(^{\circ}C) = -40 + \frac{Value_{(0x0C\ DEC)}}{2}$$

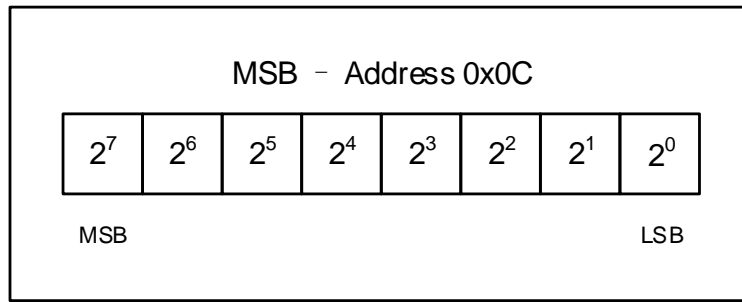


Figure 9. TEMP_MAX Register Format

TEMP_MIN Register (0x0D)

TEMP_MIN is the minimum temperature warning threshold.

When temperature reach this value, TMN_INT(0x0A) bit is set, and a low pulse is sent by INT_N pin.

$$TEMP_{MIN}(^{\circ}C) = -40 + \frac{Value_{(0x0D\ DEC)}}{2}$$

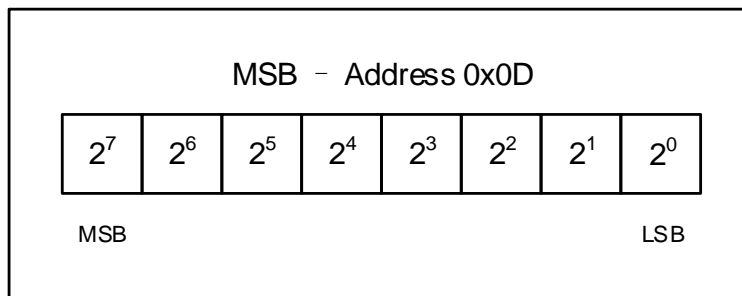


Figure 10. TEMP_MIN Register Format

VOLT_ID Register (0x0E~0x0F)

VOLT_ID is a **SIGNED** 14bit register that returns ADC results by ID pin.

$$V(uV) = Value_{(0x0E\ 0x0F\ DEC)} * 312.5$$

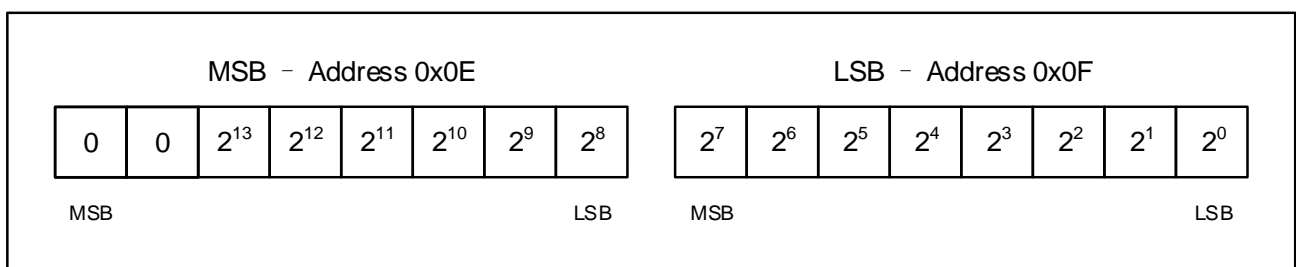


Figure 11. VOLT_ID Register Format

T_HOST Register (0xA0~0xA1)

T_Host is an **UNSIGNED** 16bit register where host write its reported temperature into the CW2017BAAAD via I²C interface. In this register, the high 8bit, 0xA0, contains the host reported temperature in 0.5-degree Celsius unit and the low 8bit, 0xA0, provides more accurate part of the host reported temperature in 1/512-degree Celsius unit.

In order to get the timely reported temperature from the host and deduce accurate SOC, the host must update 0xA0 and 0xA1 within 16s and the 0xA1 must be a different value compare with previous one, otherwise, the chip will alarm high temperature INT and the TMX_INT bit of Register 0x0A will be set when

the EN_TM_X_INT bit of Register 0xA0 is enabled. There will be no high temperature alarm if EN_TM_X_INT bit is “0”. When high temperature alarm happens, the host can write “0” to TM_X_INT bit to clear it.

$$T_HOST(\text{ }^{\circ}\text{C}) = -40 + \frac{Value_{(0xA0\ DEC)}}{2} + \frac{Value_{(0xA1\ DEC)}}{512}$$

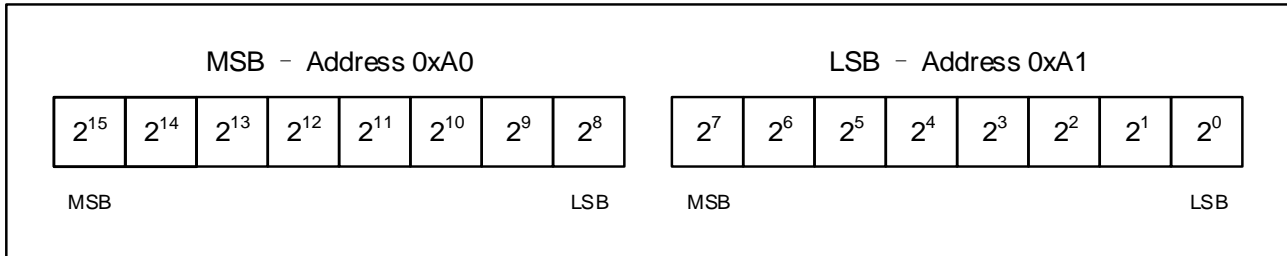


Figure 12. T_HOST Register Format

I²C Characteristics

The CW2017 includes an I²C bus which provides access to internal registers to program charging parameters and report device status. To adjust these parameters, data transmission from the host to the CW2017 and vice versa must take place through the two wires. The two wires of the bus consist of the SDA line, over which all data is sent and the SCL line which is a clock signal used to synchronize sending/receiving of the data. Data on the I²C bus can be transferred up to 100kbps in the standard-mode or up to 400kbps in the fast-mode. When the bus is free, both lines are HIGH. The device operates as a slave device. The I²C interface of the CW2017 works after the voltage on the VDD rises above POR threshold.

Data Validity

The data on the SDA line must be stable during the HIGH period of the SCL, unless generating a START or STOP condition. The HIGH or LOW state of the data line can only change when the clock signal on the SCL line is LOW. One clock pulse is generated for each data bit transferred.

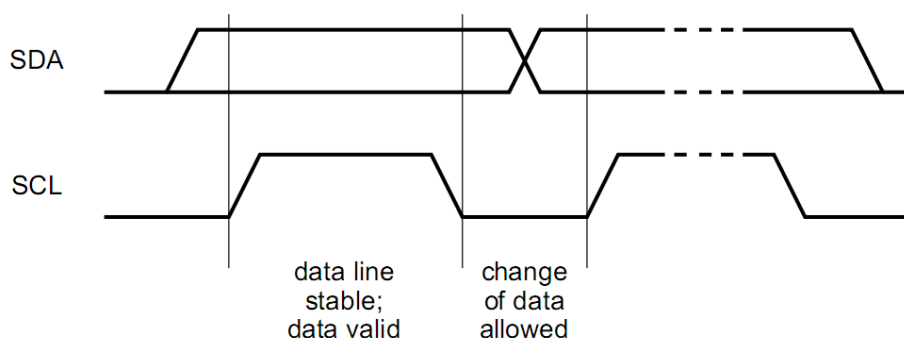


Figure 13. Bit Transfer on the I2C Bus

START and STOP Conditions

All transactions begin with a START (S) and are terminated by a STOP (P). A HIGH to LOW transition on the SDA line while SCL is HIGH defines a START condition. A LOW to HIGH transition on the SDA line while SCL is HIGH defines a STOP condition. START and STOP conditions are always generated by the master. The bus is considered to be busy after the START condition and free after the STOP condition.

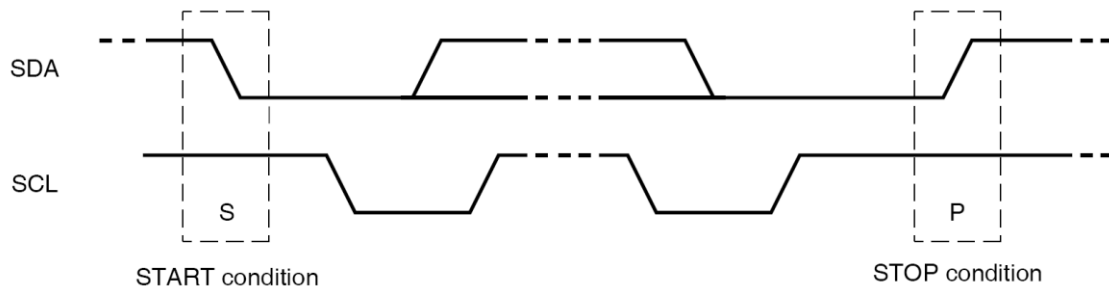


Figure 14. START and STOP Conditions

Byte Format

Every byte put on the SDA line must be eight bits long, the number of bytes that can be transmitted per transfer is unrestricted. Each byte must be followed by an Acknowledge bit. Data is transferred with the MOST Significant Bit (MSB) first. If a slave cannot receive or transmit another complete byte of data until it has performed some other function, for example servicing an internal interrupt, it can hold the clock line SCL LOW to force the master into a wait state. Data transfer then continues when the slave is ready for another byte of data and releases clock line SCL.

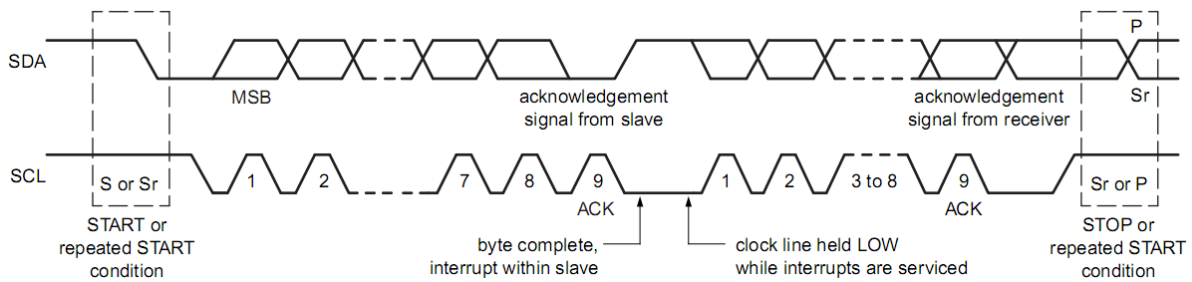


Figure 15. Data Transfer on the I2C Bus

Acknowledge (ACK) and Not Acknowledge (NACK)

The acknowledge takes place after every byte. The acknowledge bit allows the receiver to signal the transmitter that the byte was successfully received and another byte may be sent. The master generates all clock pulses, including the acknowledge ninth clock pulse. The Acknowledge signal is defined as follows: The transmitter releases the SDA line during the acknowledge clock pulse so the receiver can pull the SDA line LOW and it remains stable LOW during the HIGH period of this clock pulse. When SDA remains HIGH during this ninth clock pulse, this is defined as the Not Acknowledge signal. The master can then generate either a STOP condition to abort the transfer, or a repeated a START condition to start a new transfer.

The Salve Address and R/W Bit

After the START condition (S), a slave address is sent. This address is seven bits long followed by an eighth bit which is data direction bit (R/W), a 'zero' indicates a transmission (WRITE), an 'one' indicates a request for data (READ). A data transfer is always terminated by a STOP condition (P) generated by the master.

Typical Applications (continued.)

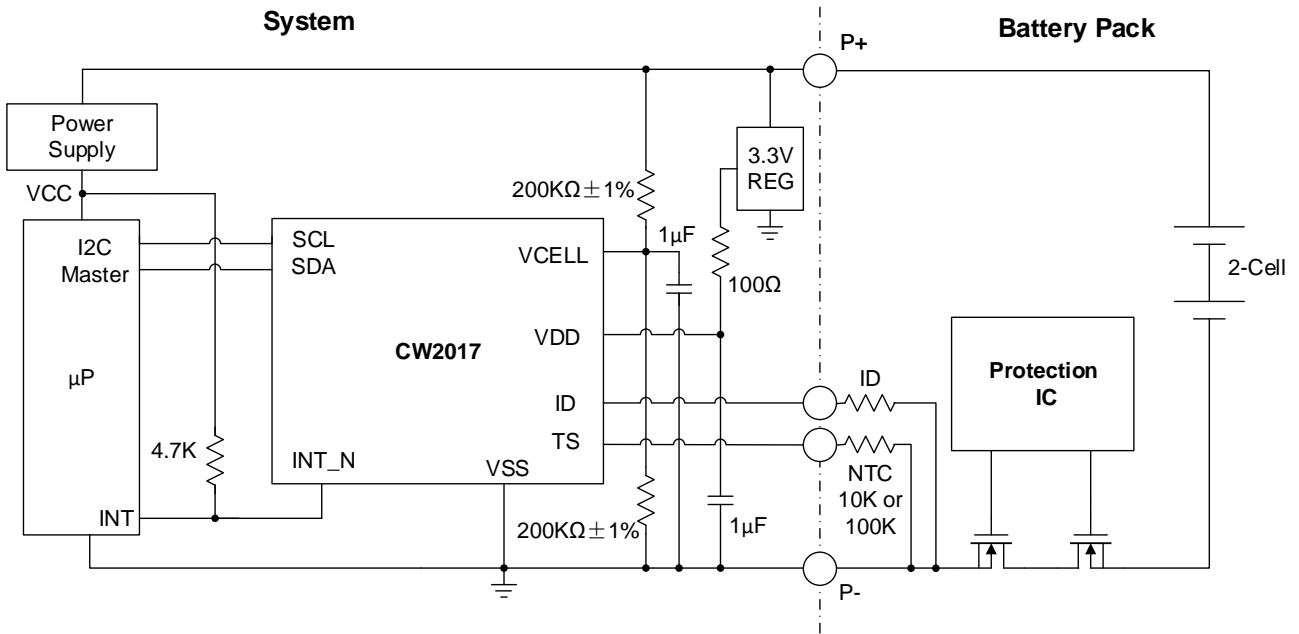


Figure 19. Typical Application for 2-Cell and System Side

Note: For NTC and ID resistors selection, please refer to section [Temperature Sensing & ID usage](#); please also add TVS diode at ID and TS pins when using in removable battery pack.

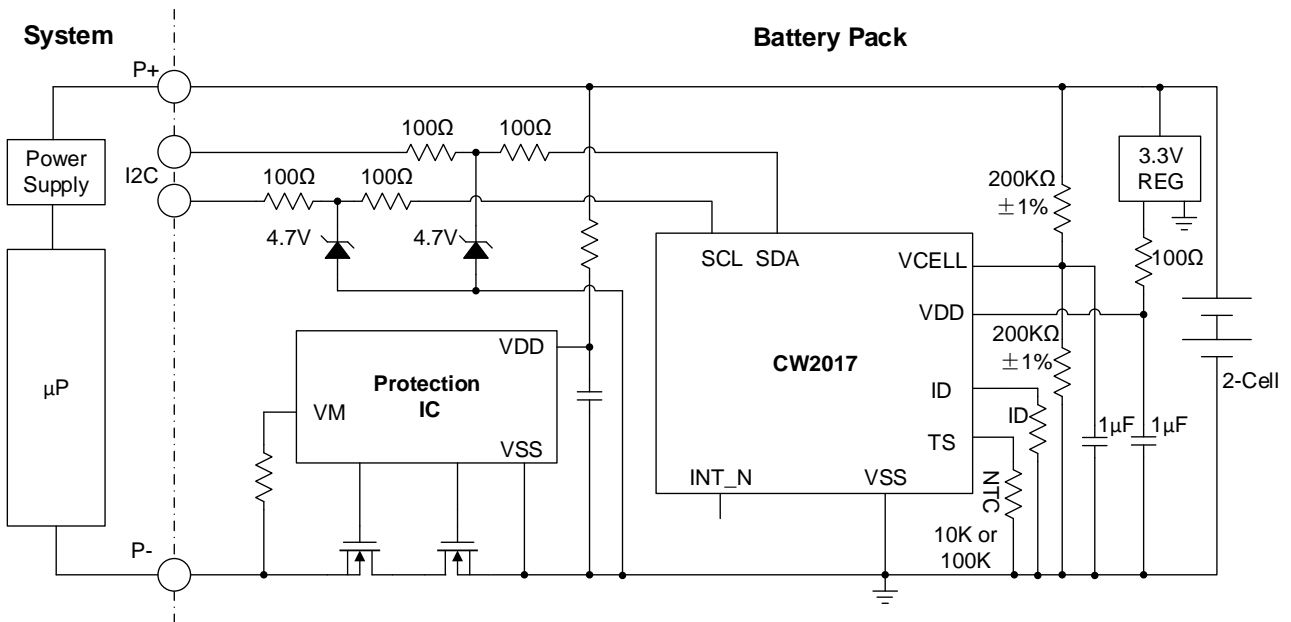
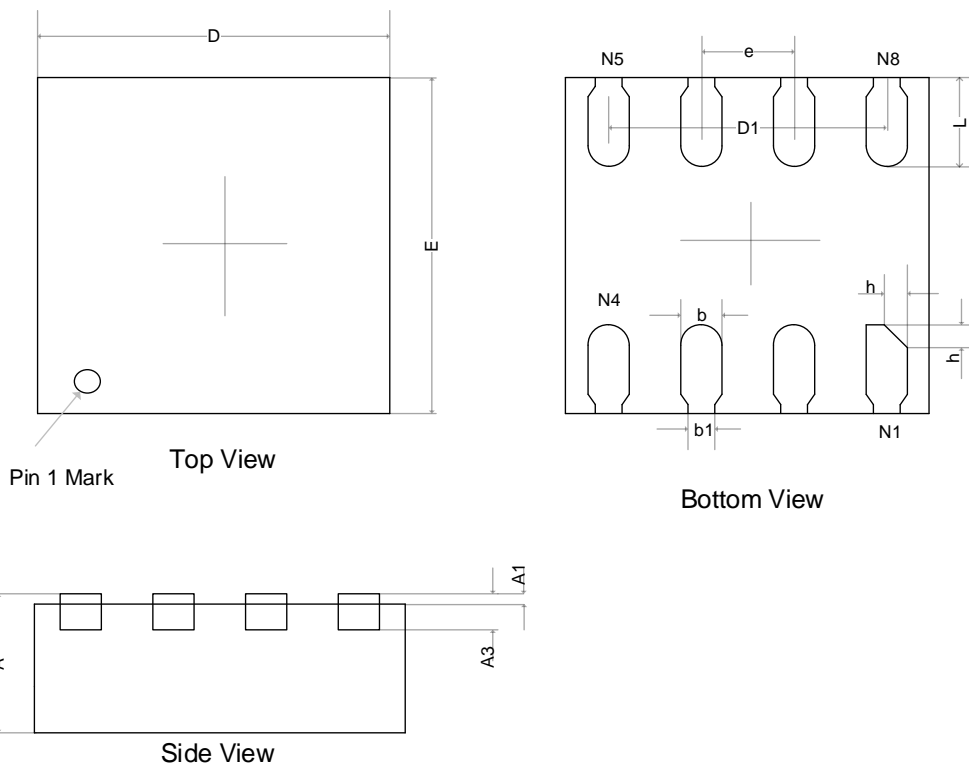


Figure 20. Typical Application for 2-Cell and Pack Side

Note: For NTC and ID resistors selection, please refer to section [Temperature Sensing & ID usage](#).

Package Information

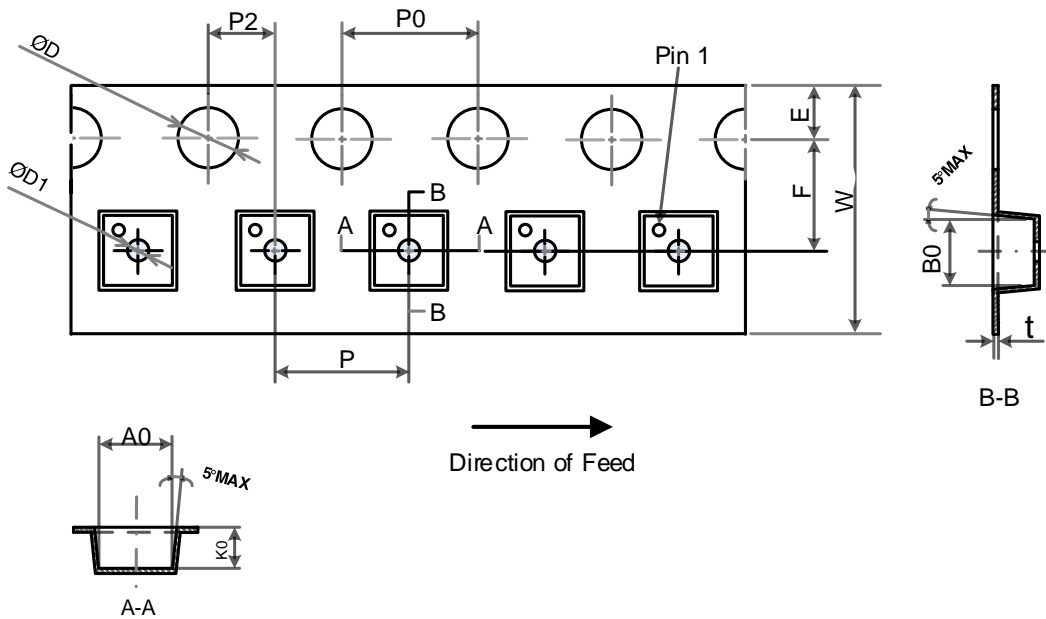
TDFN 2x2-8L(P0.50T0.45/0.55) PACKAGE OUTLINE DIMENSIONS



SYMBOL	DIMENSIONS IN MILLIMETERS		DIMENSIONS IN INCHES	
	MIN.	MAX.	MIN.	MAX.
A	0.7	0.8	0.027	0.031
A1	--	0.05	--	0.002
A3	0.18	0.25	0.007	0.010
D	1.90	2.10	0.075	0.083
E	1.90	2.10	0.075	0.083
D1	1.50BSC		0.059BSC	
h	0.10	0.20	0.004	0.008
b	0.18REF		0.007REF	
b1	0.18	0.30	0.007	0.012
e	0.50BSC		0.020TYP.	
L	0.45	0.55	0.017	0.021

Tape and Reel Information

TDFN 2mm*2mm-8L Package Tape Information



Dimensions	Unit: mm	Dimensions	Unit: mm
E	1.75±0.10	W	8.00 ^{+0.30} / _{-0.10}
F	3.50±0.05	P	4.00±0.10
P2	2.00±0.05	A0	2.25±0.05
D	1.50±0.10	B0	2.25±0.05
D1	0.60±0.05	K0	0.80±0.05
P0	4.00±0.10	t	0.25±0.02
10P0	40.0±0.20	N/A	N/A

Carrier Tape Color: Black

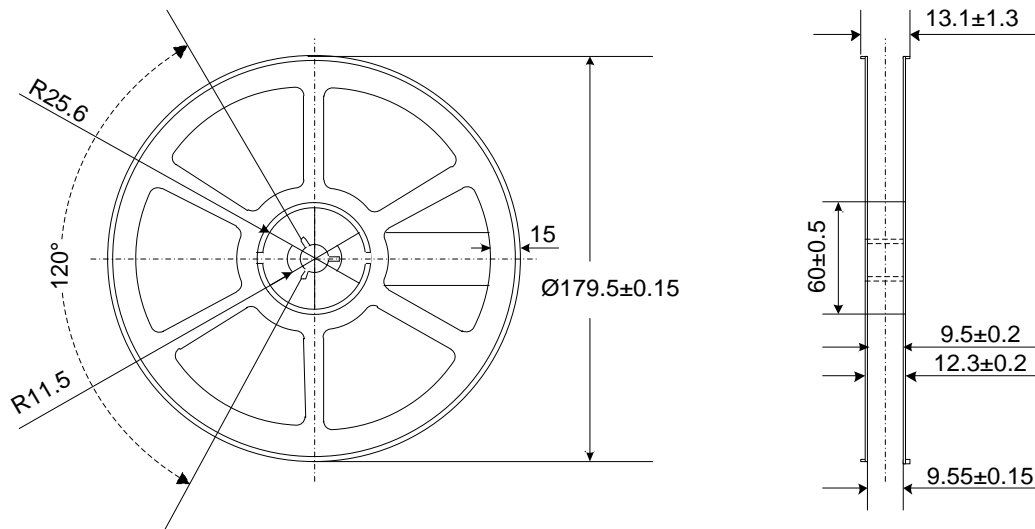
Cover Tape Width: 5.30±0.10

Cover Tape Color: Transparent

All DIM in mm

All the package materials are Pb free and Halogen free.

TDFN 2mm*2mm-8L Package Reel Information



Color: Blue
 All DIM in mm

Revision History

Release No.	Date	Revision Description
0.1	2018.08.12	First version
1.0	2019.01.10	Update descriptions and application diagram on page 1,2
1.1	2019.09.05	Add CW2017BAAD information; add NTC selection table and 2-Cell application diagrams

DISCLAIMER

CELLWISE reserves the right to make changes without further notices to any products herein to improve reliability, function or design. CELLWISE does not assume any liability arising out of the application or use of any product or circuit described herein; neither does it convey any license under its patent rights, nor the rights of others.

CELLWISE's products are not authorized for use as critical components in life support devices or systems without the express written approval of the president of CELLWISE corporation.

As used herein:

1. Life support devices or systems are devices or systems which, (a) are intended for surgical implant into the body, or (b) support or sustain life, and (c) whose failure to perform when properly used in accordance with instructions for use provided in the labeling, can be reasonably expected to result in a significant injury of the user.
2. A critical component in any component of a life support device or system whose failure to perform can be reasonably expected to cause the failure of the life support device or system, or to affect its safety or effectiveness.