



CW473 1-80 mW TECHNICAL DATA



BLUE DIODE PUMPED SOLID STATE LASER MODULE

Solid state 473 nm laser module of compact size, long lifetime, and low cost.



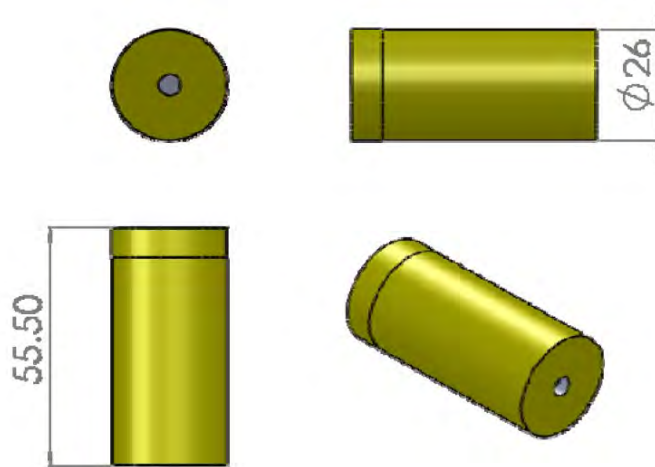
Specifications	
Wavelength	473 ±1 nm
Output Power	1 ...80 mW
Transverse Mode	TEM ₀₀
Operating Mode	CW
Power Stability (rms)	< 10%, over 4 hours at constant temperature after warm up < 20%, over operating temperature range
Warm-up time	< 10 min
Beam Divergence (full angle)	< 15 mrad
Beam Diameter (at the aperture)	~ 0.1 mm
Supply Voltage	3 VDC
Operating Temperature	15 ...30 °C
Expected Lifetime	5000 hours
Warranty period	6 months

Options	
5VPCB	5 V DC power supply
TTL modulation	2 kHz or higher



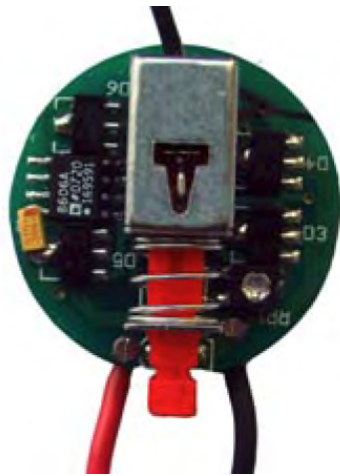


Outline dimensions



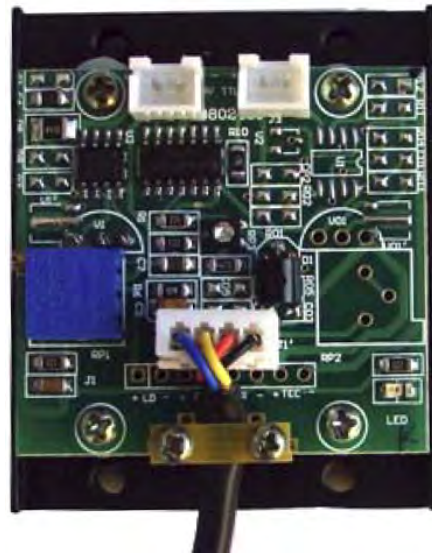
Ø26.0 x 55.5 mm², 0.3 kg

3V PCB



Ø26 x 15 mm³

5V PCB



56 x 47 x 30 mm³