

FEATURES

- ◆ Three Terminal Adjustable or Fixed Voltages 1.5V, 1.8V, 2.5V, 2.85V, 3.3V and 5.0V
- ◆ Output Current of 5A
- ◆ Operates Down to 1V Dropout
- ◆ Line Regulation: 0.2% Max.
- ◆ Load Regulation: 0.4% Max.
- ◆ TO-263-2, TO-263-3, TO252-2 and TO-220 package available



TO-263-2



TO-263-3



TO-252-2



TO-220

APPLICATIONS

- ◆ High Efficiency Linear Regulators
- ◆ Post Regulators for Switching Supplies
- ◆ Microprocessor Supply
- ◆ Constant Current Regulators
- ◆ Power Management for Notebook
- ◆ Battery Chargers
- ◆ Notebook/Personal Computer Supplies
- ◆ Portable Instrumentation

ORDERING INFORMATION

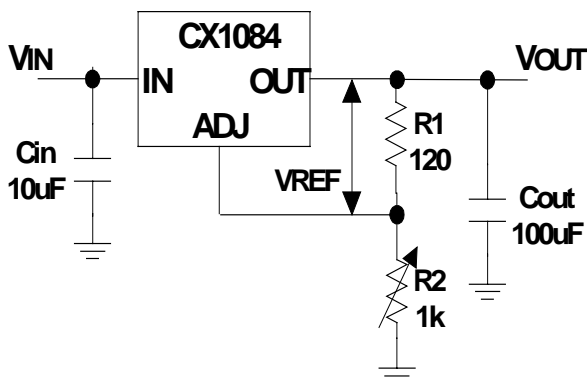
PACKAGE TYPE			OPERATING JUNCTION TEMPERATURE RANGE
TO-263-2&3	TO-252-2	TO-220	
CX1084-ADJ	CX1084-ADJ	CX1084-ADJ	0 to 125° C
CX1084-1.5	CX1084-1.5	CX1084-1.5	0 to 125° C
CX1084-1.8	CX1084-1.8	CX1084-1.8	0 to 125° C
CX1084-2.5	CX1084-2.5	CX1084-2.5	0 to 125° C
CX1084-2.85	CX1084-2.85	CX1084-2.85	0 to 125° C
CX1084-3.3	CX1084-3.3	CX1084-3.3	0 to 125° C
CX1084-5.0	CX1084-5.0	CX1084-5.0	0 to 125° C

ELECTRICAL CHARACTERISTICS

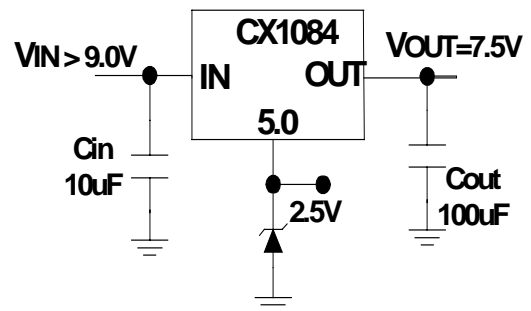
Electrical Characteristics at $I_{OUT} = 0 \text{ mA}$, and $T_J = +25^\circ\text{C}$ unless otherwise specified.

Parameter	Device	Conditions	Min	Typ	Max	Units
Output Voltage	CX1084	$I_{OUT} = 10 \text{ mA}$ $10\text{mA} \leq I_{OUT} \leq 5\text{A}$, $1.5\text{V} \leq (V_{IN} - V_{OUT}) \leq 12\text{V}$			1.0 2.0	% %
Line Regulation	CX1084	$I_{OUT} = 10 \text{ mA}$, $1.5\text{V} \leq (V_{IN} - V_{OUT}) \leq 12\text{V}$		0.3 0.6	6.0 10.0	mV mV
Load Regulation (Notes 2, 3)	CX1084	$(V_{IN} - V_{OUT}) = 3\text{V}$, $10\text{mA} \leq I_{OUT} \leq 5\text{A}$		0.1 0.2	0.3 0.4	%
Dropout Voltage ($V_{IN} - V_{OUT}$)	CX1084	$\Delta V_{OUT}, \Delta V_{REF} = 1\%$, $I_{OUT} = 5\text{A}$		1.3	1.5	V
Current Limit	CX1084	$(V_{IN} - V_{OUT}) = 5\text{V}$	5.0	6.0	7.0	A
Minimum Load Current	CX1084	$(V_{IN} - V_{OUT}) = 12\text{V}$		5	10	mA
Quiescent Current	CX1084	$V_{IN} \leq 12\text{V}$		5	10	mA
Ripple Rejection	CX1084	$f = 120\text{Hz}$, $C_{OUT} = 22\mu\text{F}$ Tantalum, $I_{OUT} = 5\text{A}$, $(V_{IN} - V_{OUT}) = 3\text{V}$, $C_{ADJ} = 10\mu\text{F}$	60	75		dB
Thermal Regulation	CX1084	$T_A = 25^\circ\text{C}$, 30ms pulse		0.008	0.04	%/W
Adjust Pin Current	CX1084	$10\text{mA} \leq I_{OUT} \leq 5\text{A}$, $1.5\text{V} \leq (V_{IN} - V_{OUT}) \leq 12\text{V}$		55	120	μA μA
Adjust Pin Current Change	CX1084	$10\text{mA} \leq I_{OUT} \leq 5\text{A}$, $1.5\text{V} \leq (V_{IN} - V_{OUT}) \leq 12\text{V}$		0.2	5.0	μA
Thermal Resistance Junction-to-Case	CX1084	TO-220:Control Circuitry/Power Transistor TO-263:Control Circuitry/Power Transistor			1.5/4.0 1.5/4.0	$^\circ\text{C}/\text{W}$

APPLICATION CIRCUITS



$V_{OUT} = V_{REF} (1 + R2/R1) + I_{ADJ}R2$
Application 1: 1.25V to 10V Adjustable Regulator



$V_{OUT} = 7.5\text{V}$
Application 2: Regulator with reference