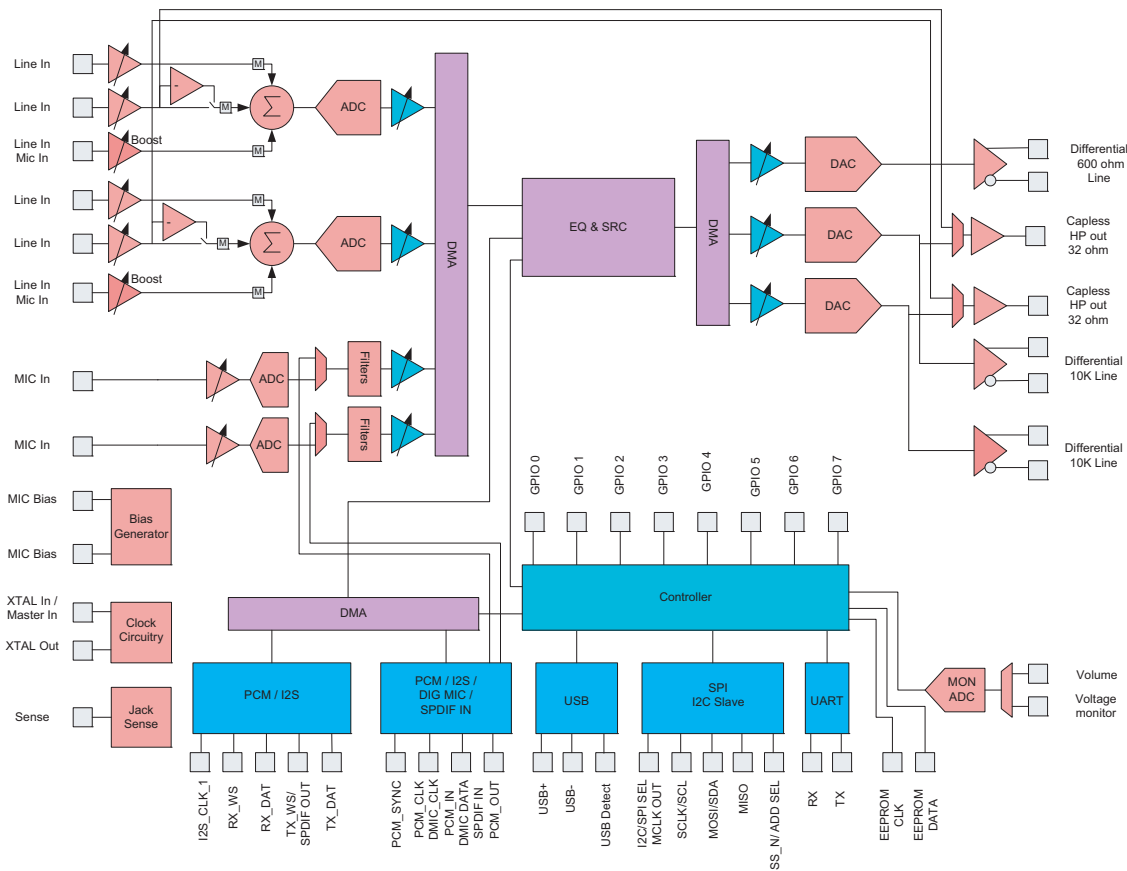




CX20701 Features

- ◆ 4-wire and 5-wire digital audio I/O (I²S/PCM/SPDIF), supporting full duplex independent sampling rates
- ◆ One 3-wire I²C or 4-wire SPI slave interface for external MCU
- ◆ USB 2.0 Compliant Audio Class Interface
- ◆ Eight GPIO pins
- ◆ Three single-ended line in (convertible to one stereo differential line in and one single-end)
- ◆ Up to four microphone inputs with integrated preamp and on-chip bias supply
- ◆ Integrated 50 mW Capless headphone driver with jack sense
- ◆ Analog In to Headphone direct pass-through
- ◆ Differential line out
- ◆ 24-bit DAC/ADC, SNR 102 dB, THD - 92 dB at 48 kHz 3.3 V
- ◆ Audio sample rate: 8, 11.025, 12, 16, 22.05, 24, 32, 44.1, 48, 64, 88.2, 96 kHz
- ◆ 90 dB dynamic range with 0.01percent THD+N at 4 Ω load
- ◆ 10-bit ADC multiplexed to support analog volume potentiometer and DC level detection
- ◆ Flexible power management
- ◆ Variable master clock rates
- ◆ Master clock output



Functional Block Diagram

© 2011 Conexant Systems, Inc. All Rights Reserved. Conexant and the Conexant logo are registered trademarks of Conexant Systems, Inc. All other trademarks are owned by their respective owners. Although Conexant strives for accuracy in all its publications, this material may contain errors or omissions and is subject to change without notice. **THIS MATERIAL IS PROVIDED AS IS AND WITHOUT ANY EXPRESS OR IMPLIED WARRANTIES, INCLUDING MERCHANT ABILITY, FITNESS FOR A PARTICULAR PURPOSE AND NON-INFRINGEMENT.** Conexant shall not be liable for any special, indirect, incidental or consequential damages as a result of its use.

www.conexant.com
 General Information:
 U.S. and Canada:
 (888) 855-4562
 International:
 1+ (949) 483-3000
 Headquarters
 4000 MacArthur Blvd.
 Newport Beach, CA 92660
 Doc# PBR-202856

Distributor/Representative Information