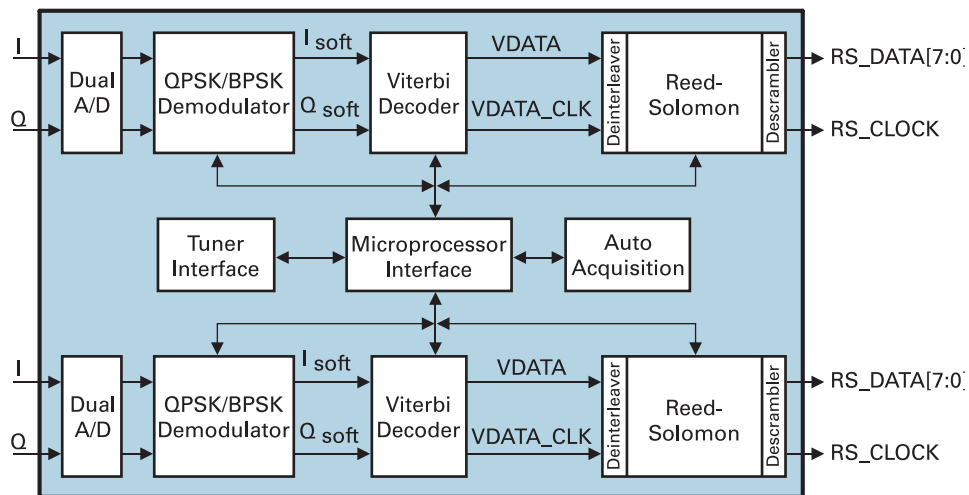




CX24130 Features

- QPSK/BPSK demodulation
- DVB/DSS compliant
- Symbol rates: 10 to 30 Msps
- Automatic acquisition
- Adaptive (FIR) equalizer
- Internal carrier and bit timing recovery
- Internal Viterbi and Reed-Solomon FEC
- Internal SNR and BER monitors
- DiSEqC™ Level 1.1 LNB control
- 3.3V signaling, 5V tolerant interface
- Support for three status LEDs
- 144-pin LQFP package
- External crystal frequency: 10 MHz
- Sampling frequency: 45, 60, 90 MHz
- Carrier tracking: \pm sample frequency/8
- Quadrature equalization compensation: ± 3 dB gain, $\pm 13^\circ$ phase
- Viterbi decoding rates: 1/2, 2/3, 3/4, 4/5, 5/6, 6/7, and 7/8
- Output data interface: serial or parallel
- Supply voltage: +3.3V, +1.8V



CX24130 block diagram

© 2002, Conexant Systems, Inc. All Rights Reserved. Conexant and the Conexant logo are registered trademarks of Conexant Systems, Inc. All other trademarks are owned by their respective owners. Although Conexant strives for accuracy in all its publications, this material may contain errors or omissions and is subject to change without notice. **THIS MATERIAL IS PROVIDED AS IS AND WITHOUT ANY EXPRESS OR IMPLIED WARRANTIES, INCLUDING MERCHANTABILITY, FITNESS FOR A PARTICULAR PURPOSE AND NON-INFRINGEMENT.** Conexant shall not be liable for any special, indirect, incidental or consequential damages as a result of its use.

www.conexant.com
General Information:
U.S. and Canada: (800) 854-8099
International: (949) 483-6996
Headquarters – Newport Beach
4311 Jamboree Rd, P.O. Box C
Newport Beach, CA 92660-3095

Order# 101615B

