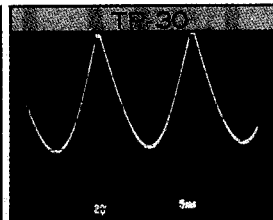
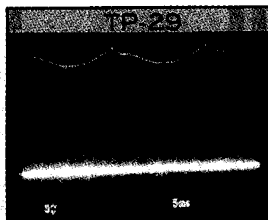
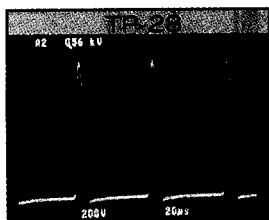
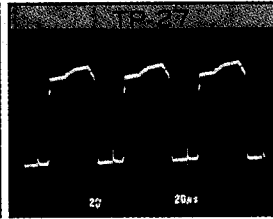
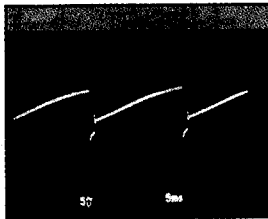
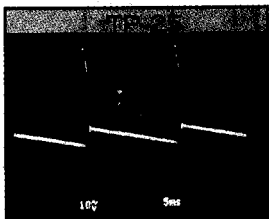
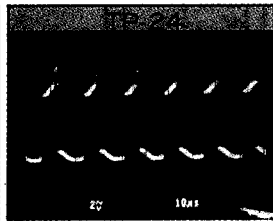
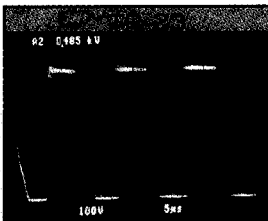
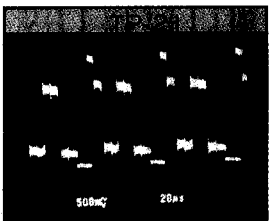
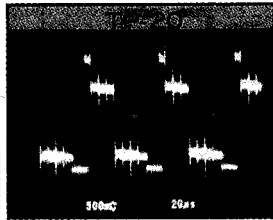
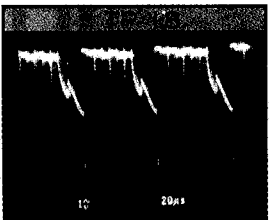
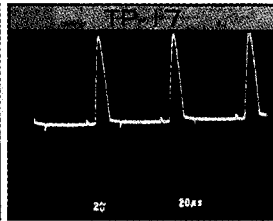
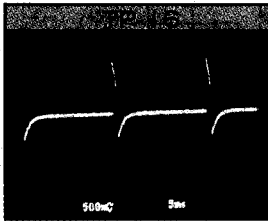
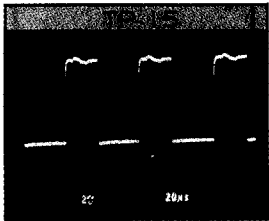
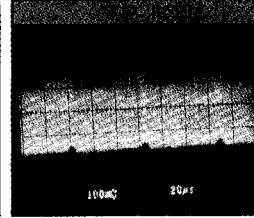
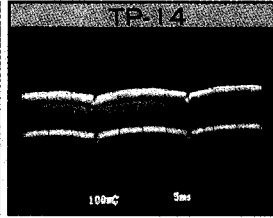
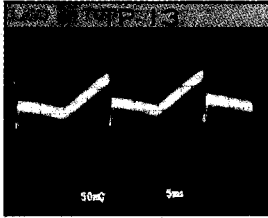
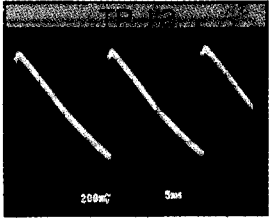


SAMSUNG

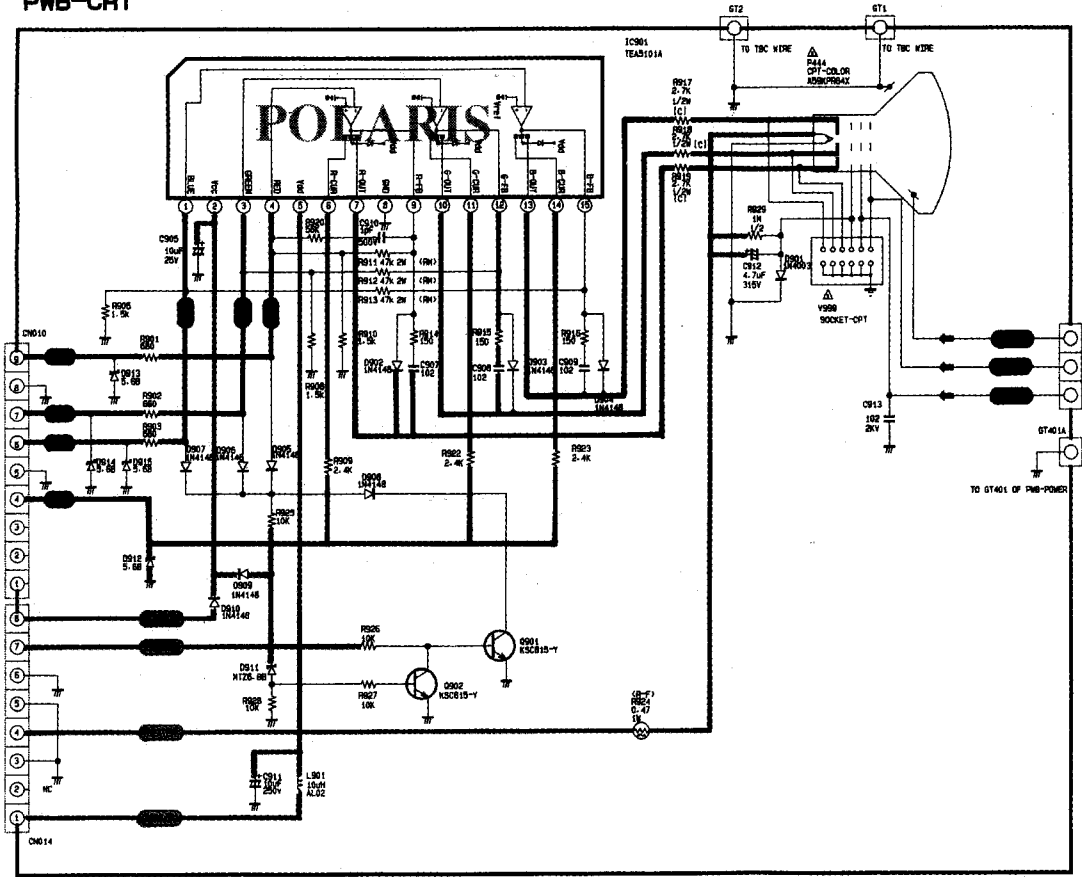
Mod. TVC - CX 6837 AN AW

CX 6840 AW

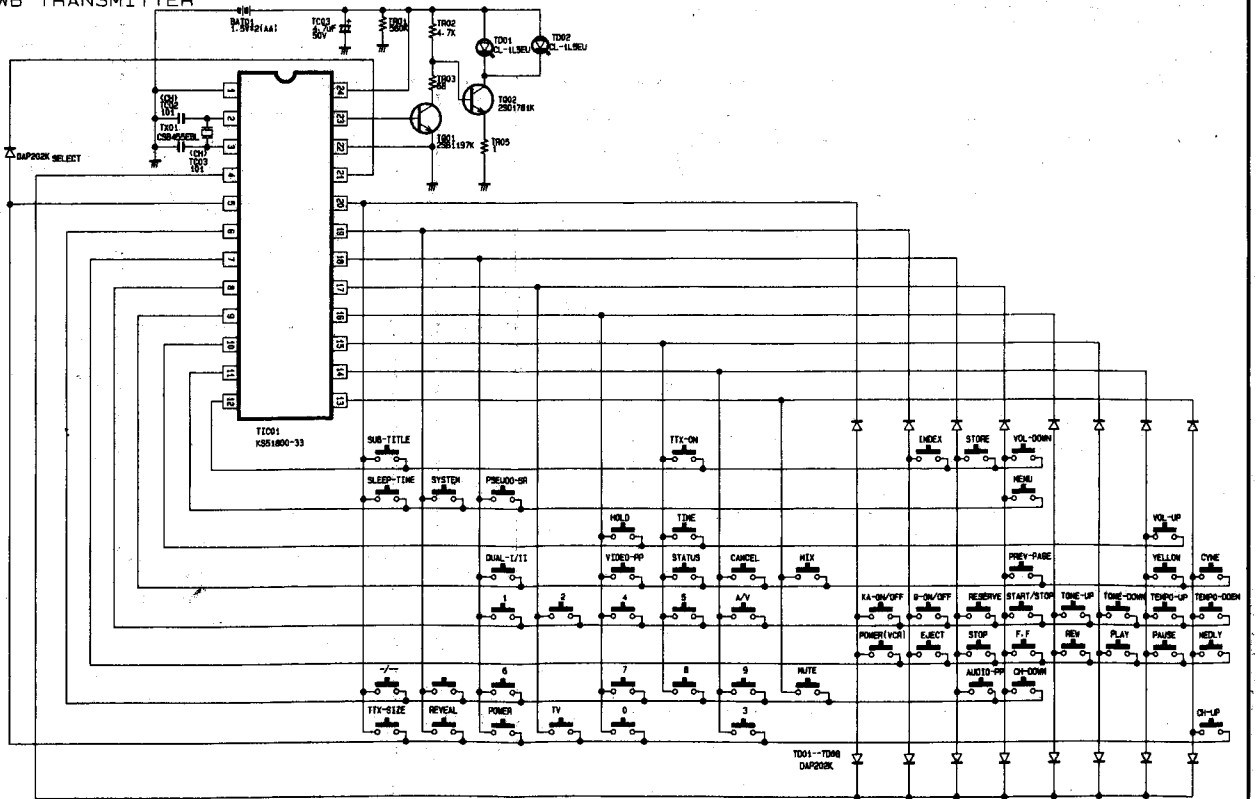
telaio Z 68



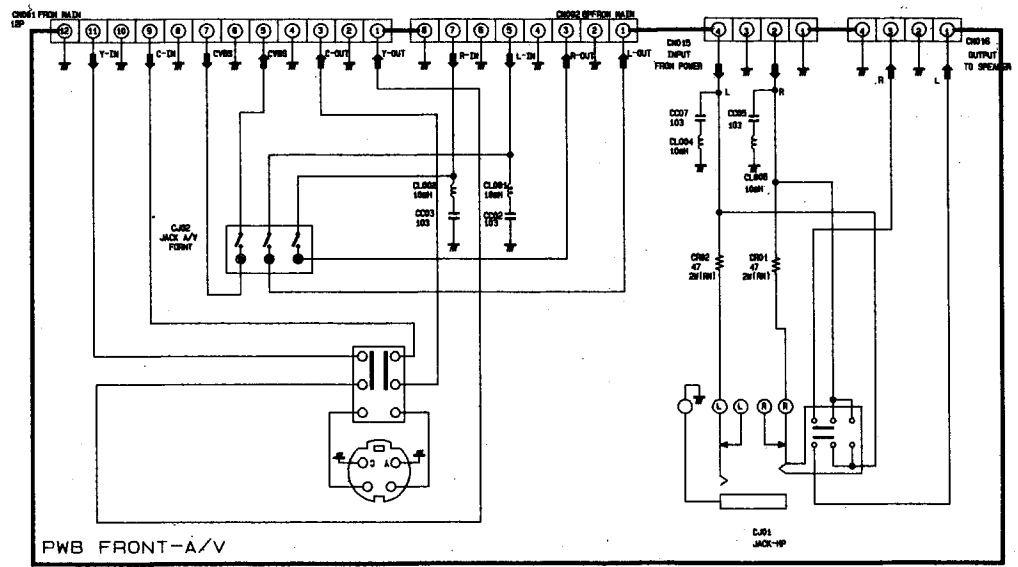
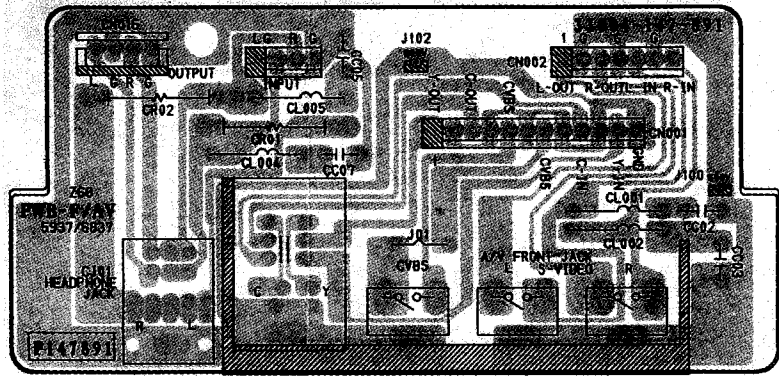
PWB-CRT



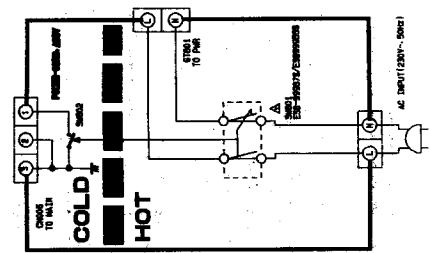
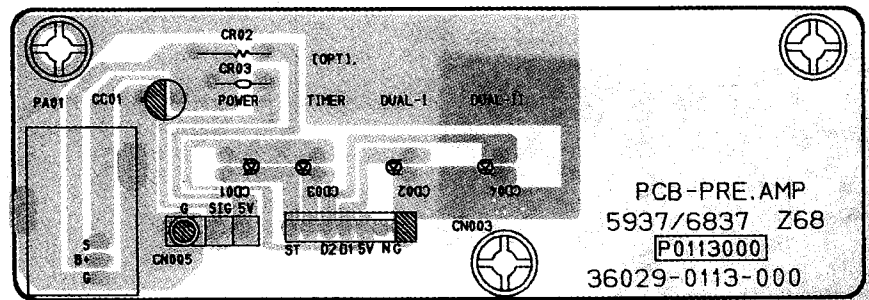
PWB-TRANSMITTER



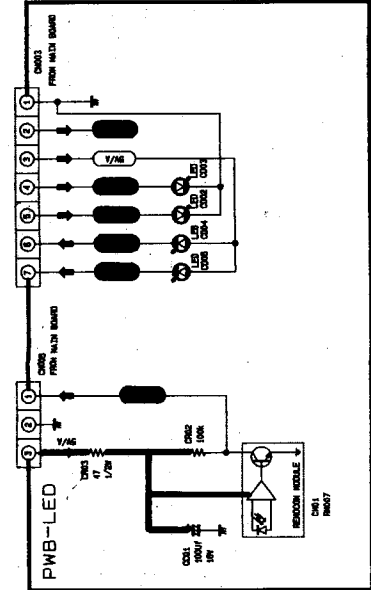
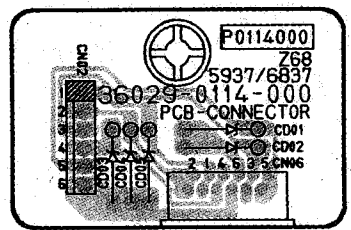
PWB-F /AV



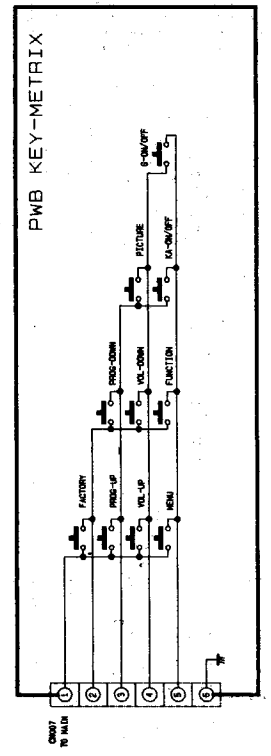
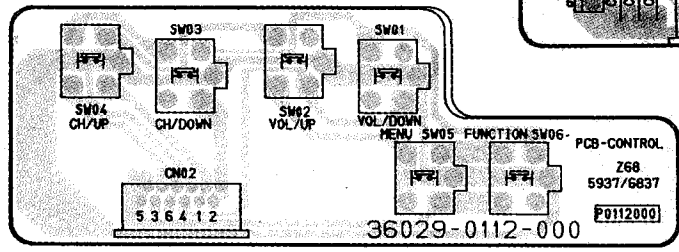
PWB-PRE, AMP



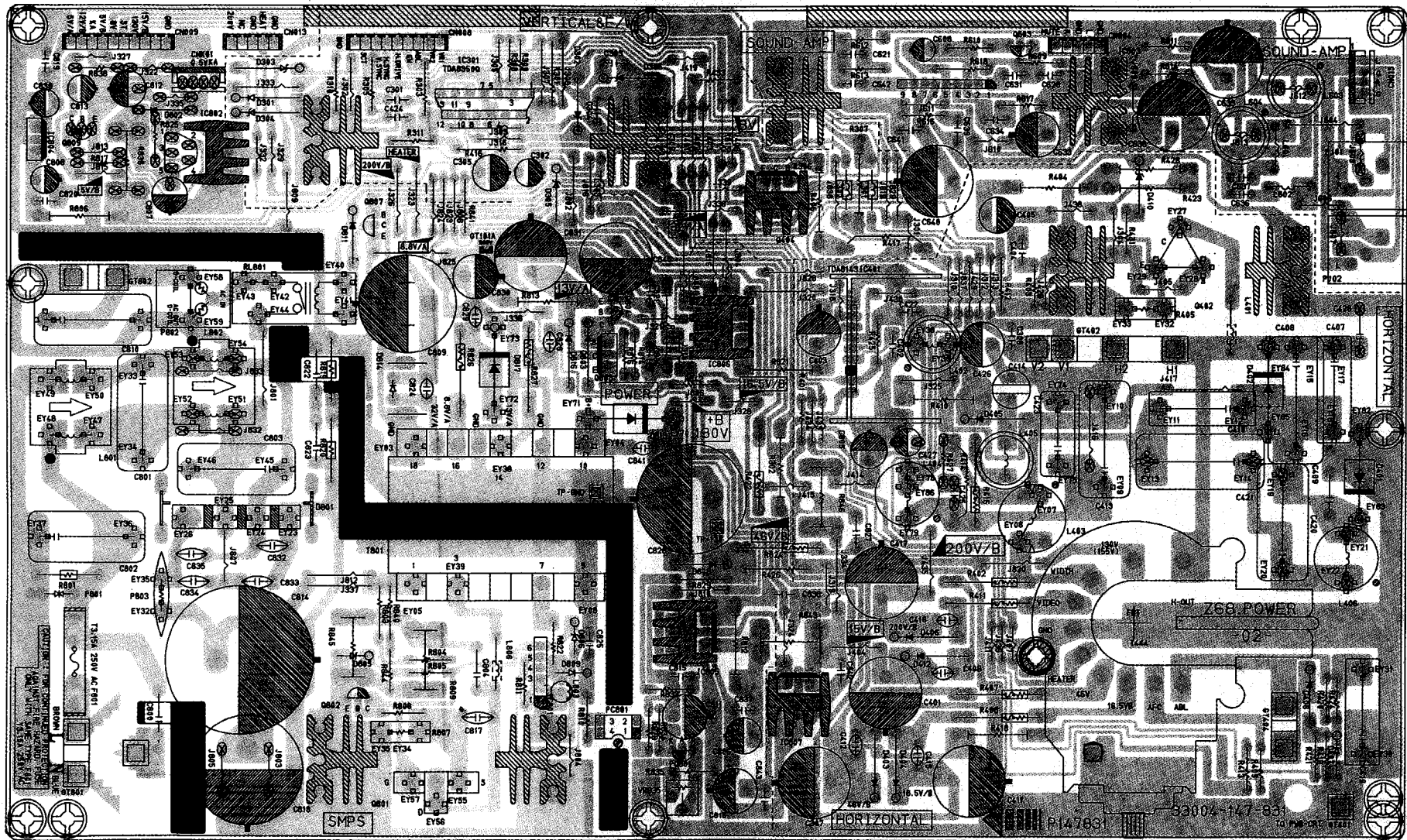
PWB-CONNECTOR



PWB-CONTROL

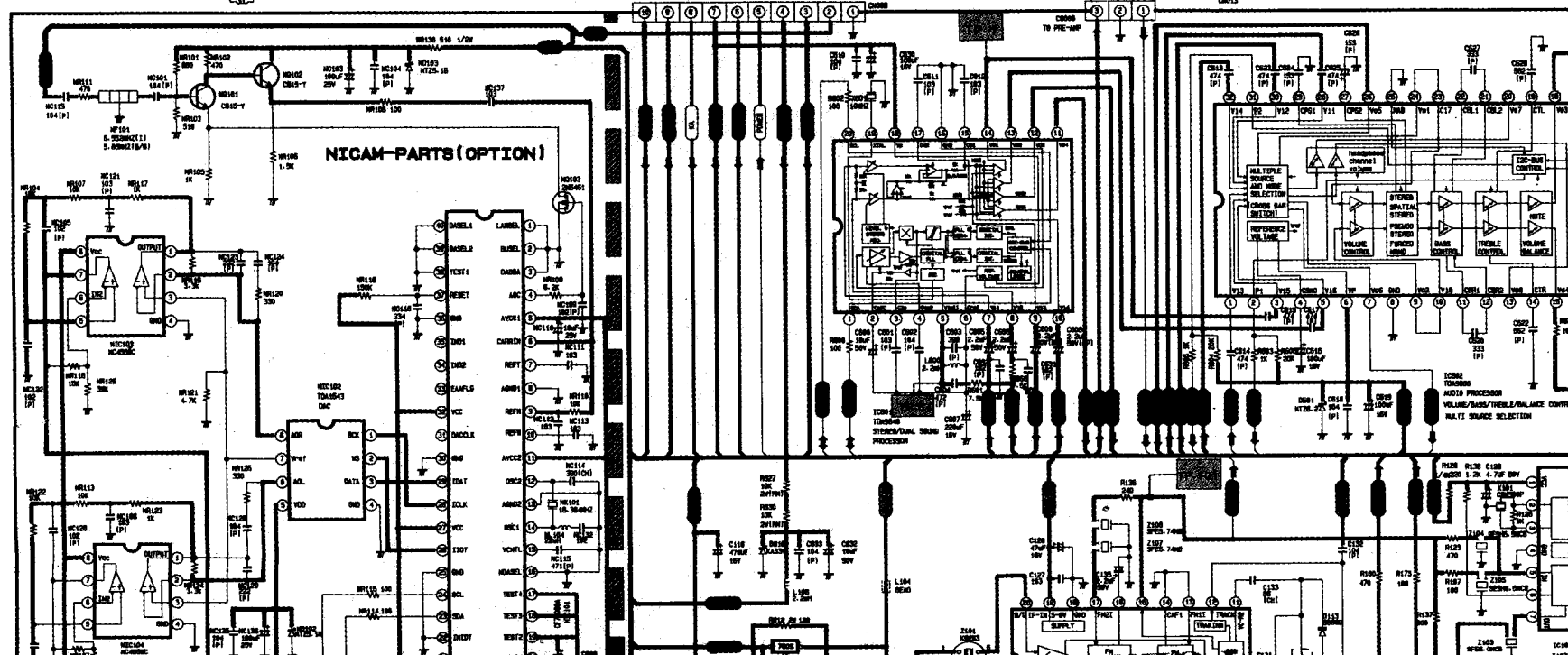
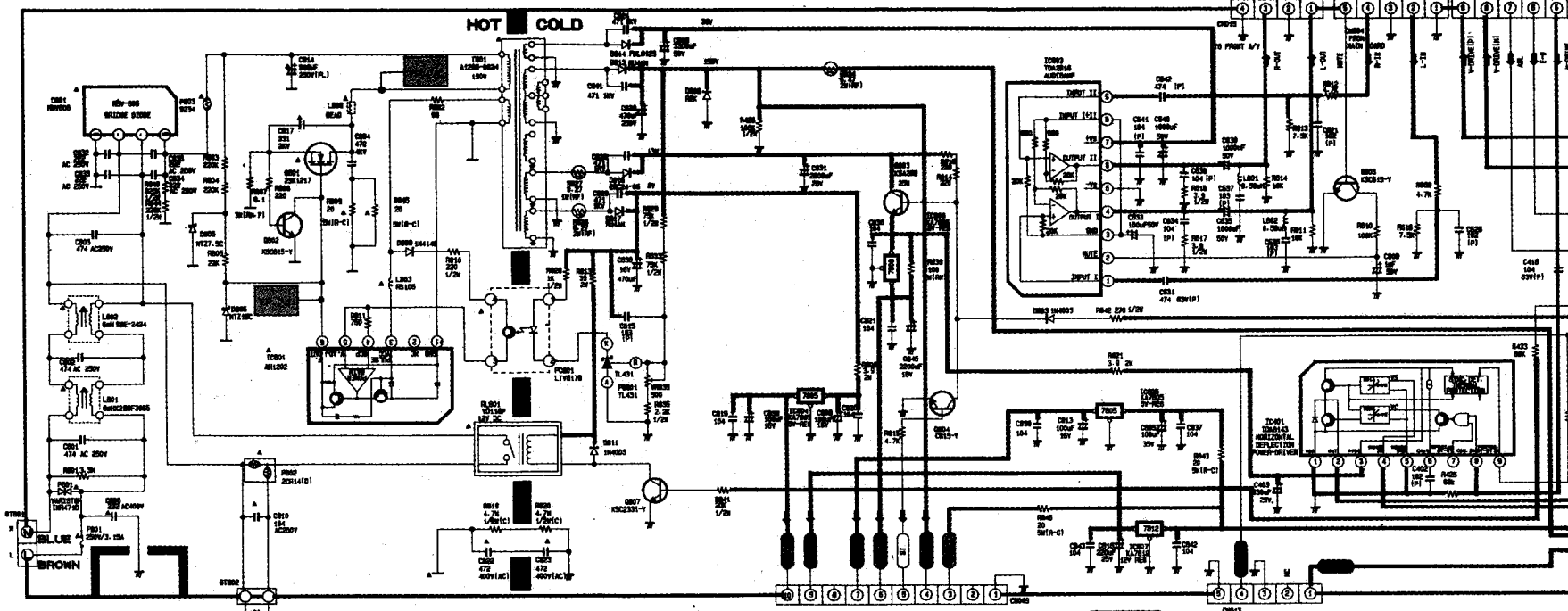


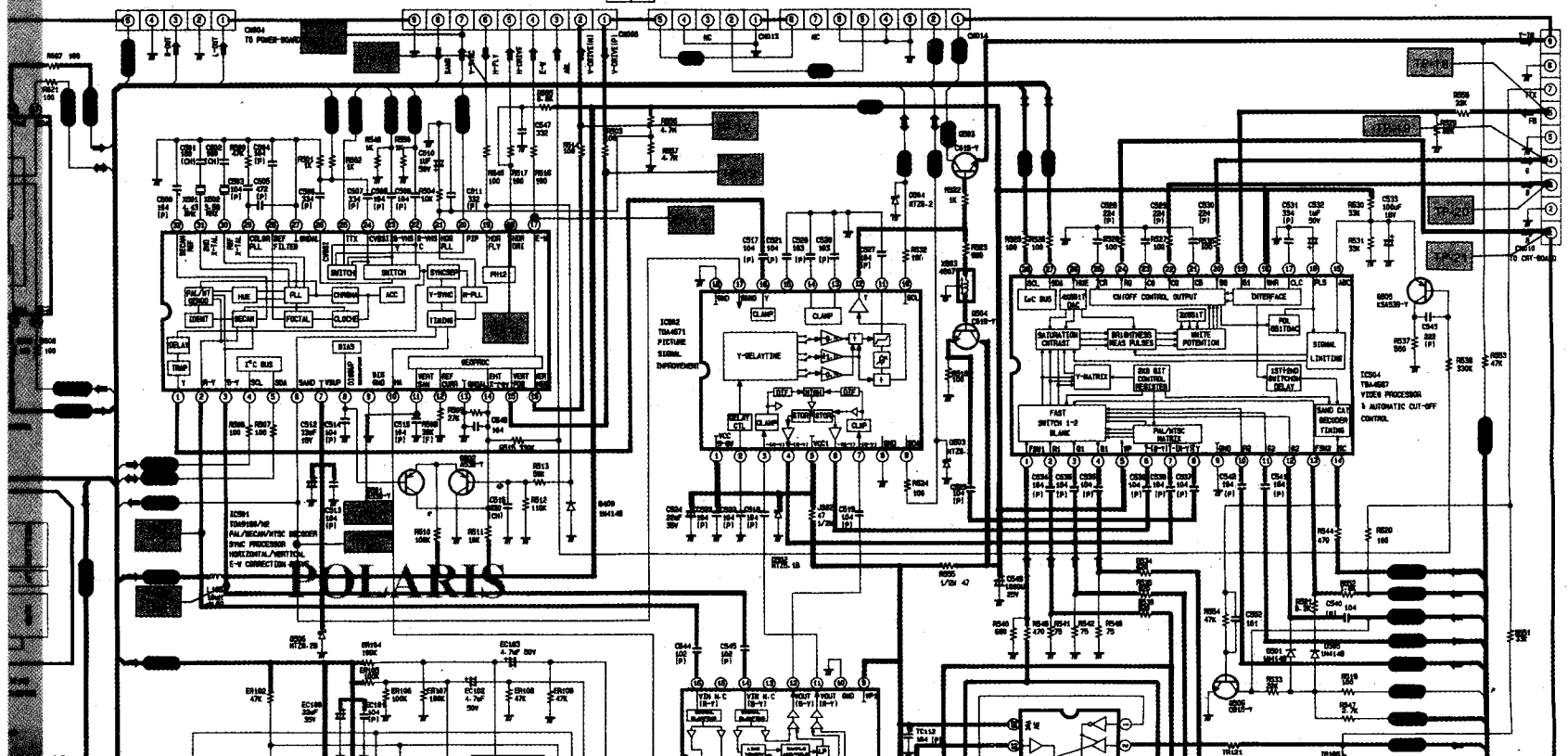
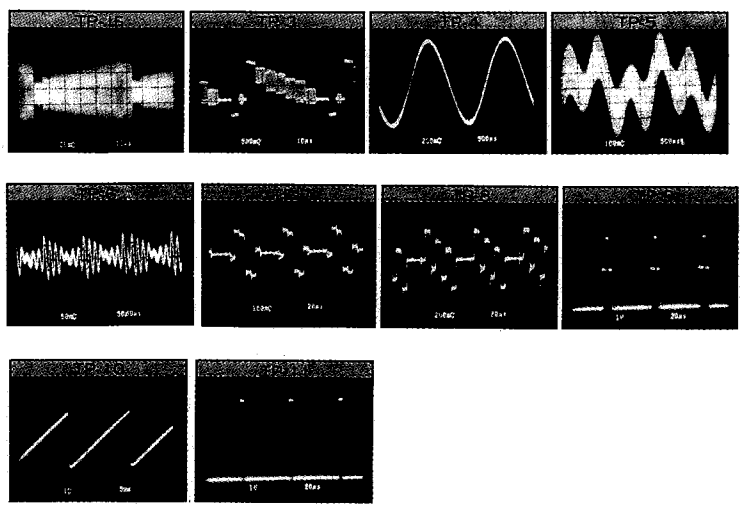
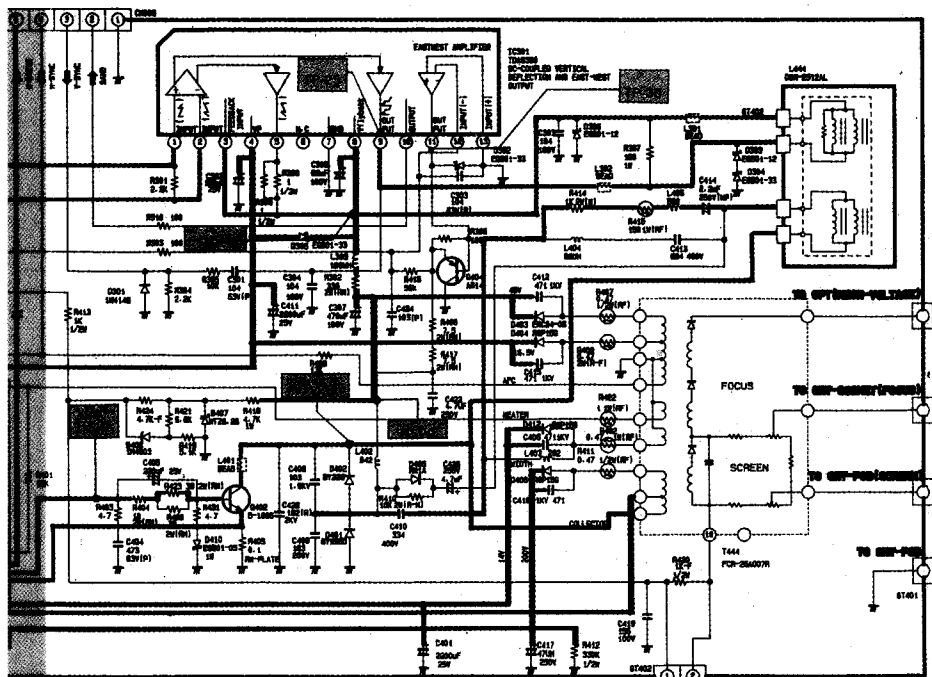
PWB-POWER



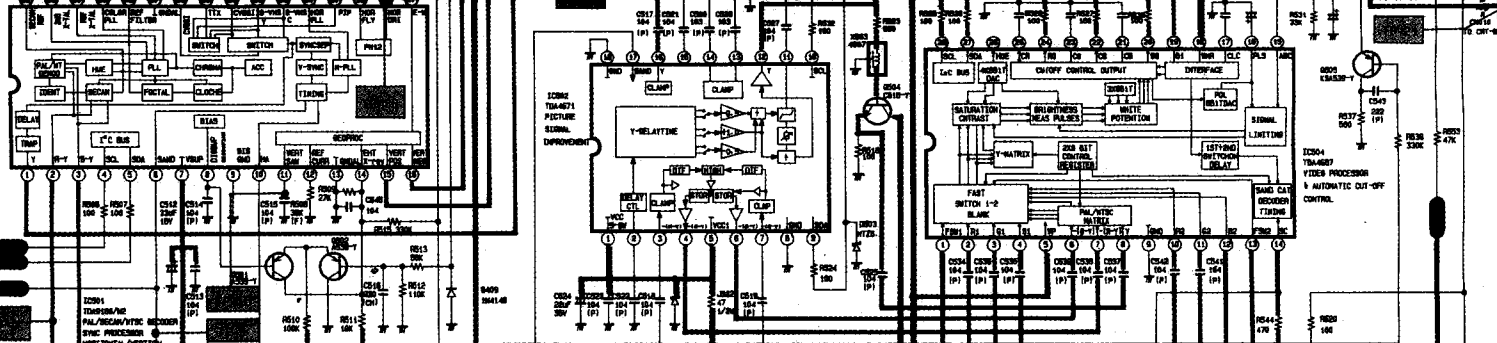
SCHEMATIC DIAGRAM

CHASSIS: Z-68
MODEL: CX5937AN
BOARD NAME: MAIN

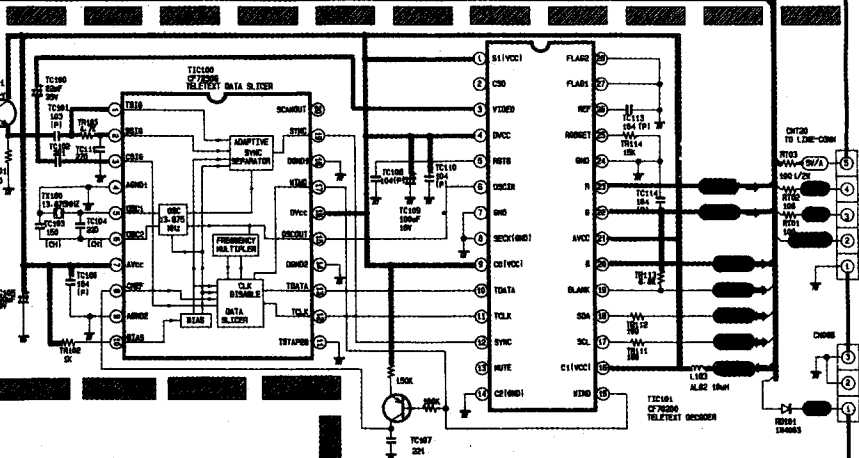
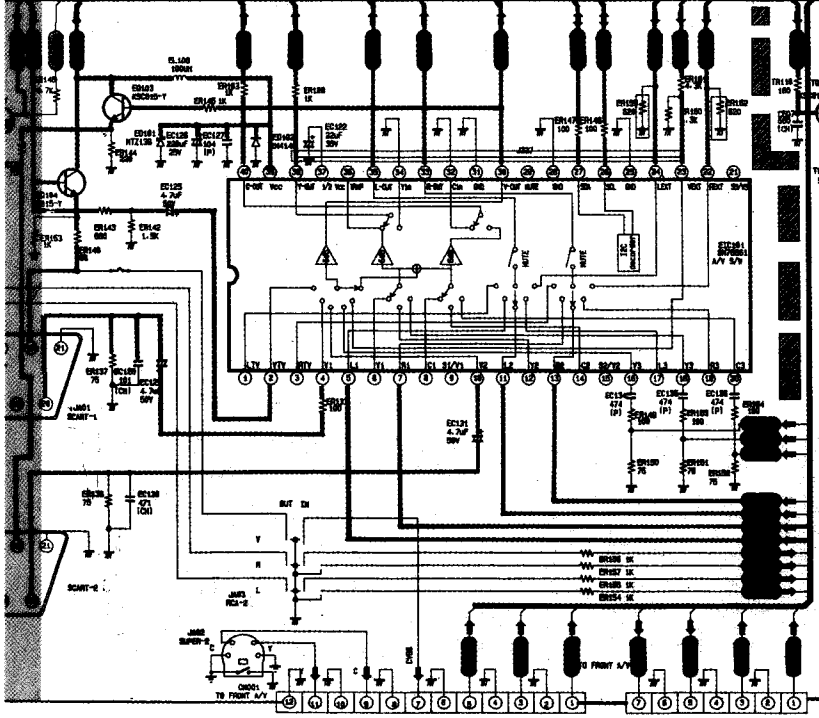
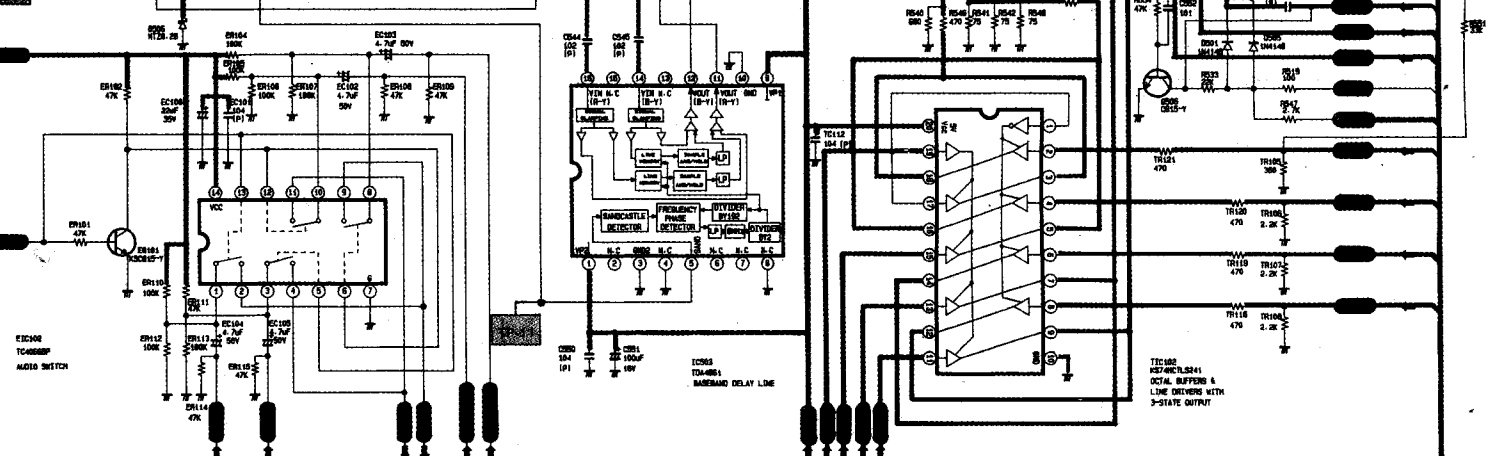




POLARIS



POLARIS

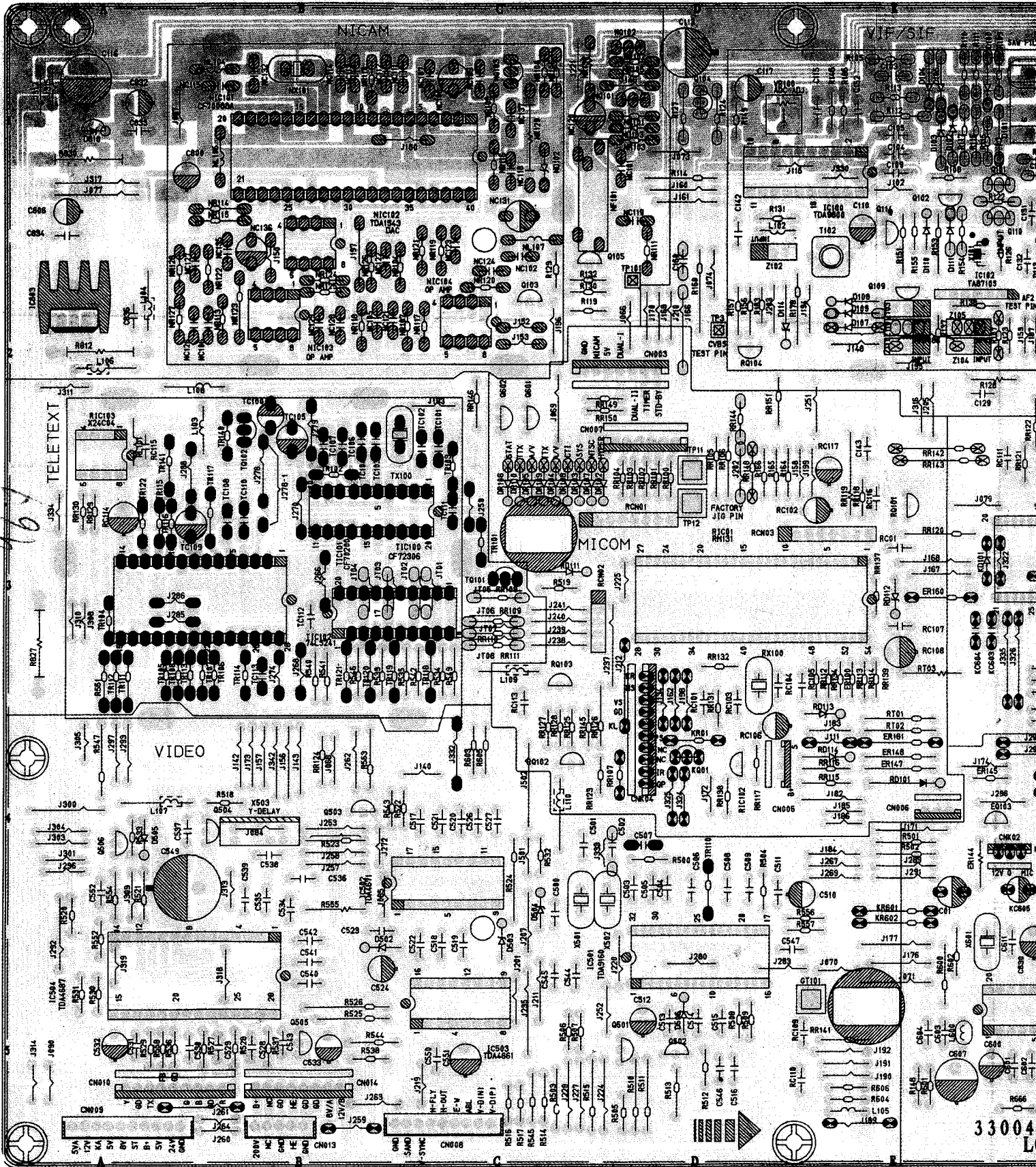


TELETEXT-PARTS (OPTION)

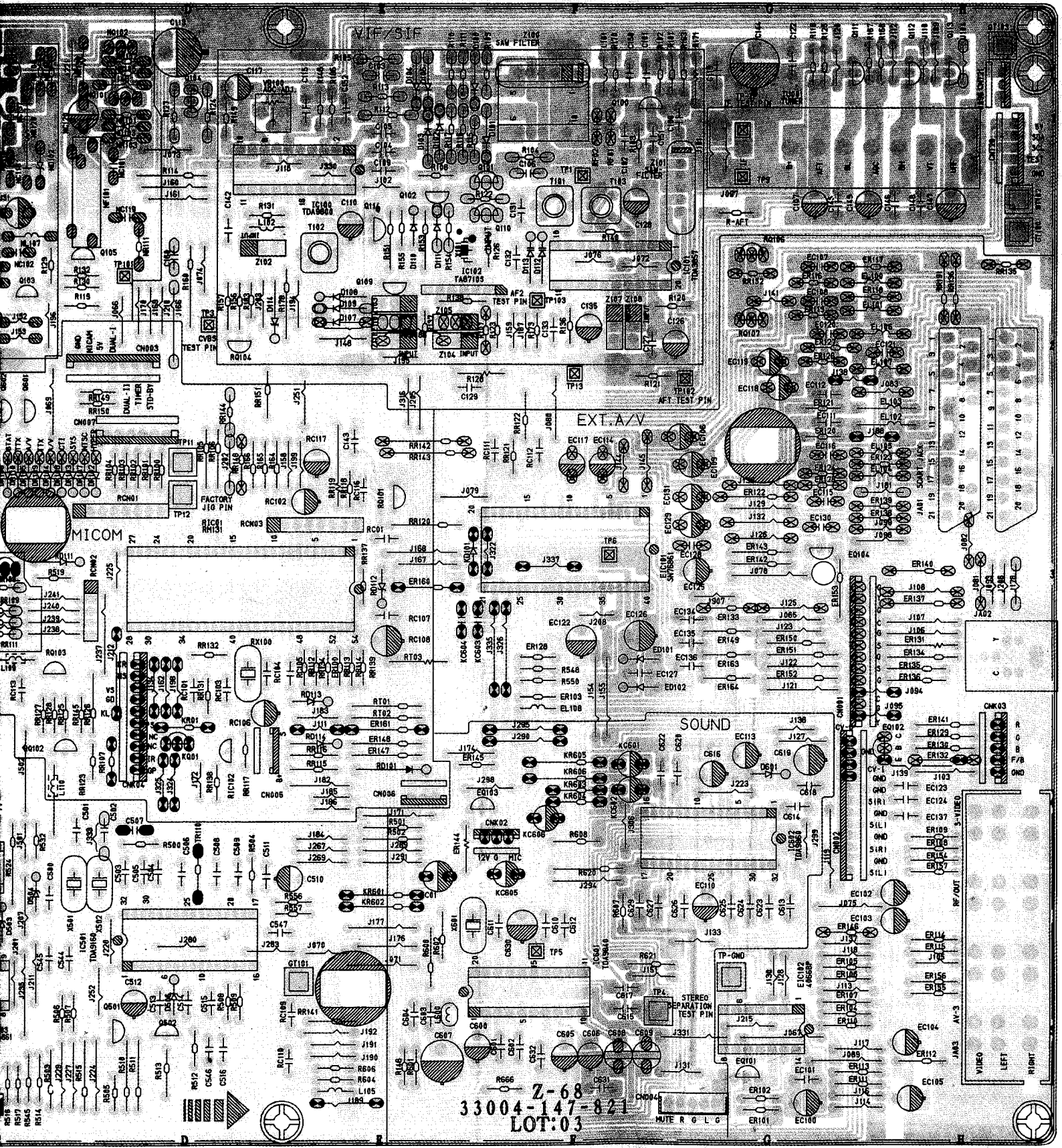
Z-68 OPTION PARTS

LOC. NO.	VALUE	QTY	QTY	QTY	QTY	QTY	QTY	QTY	QTY	QTY	QTY	QTY	QTY	QTY	QTY	QTY	QTY	QTY	QTY	QTY
1	OPEN	COM	OPEN	COM	OPEN	COM	OPEN	COM	OPEN	COM	OPEN	COM	OPEN	COM	OPEN	COM	OPEN	COM	OPEN	COM
2	OPEN	COM	OPEN	COM	OPEN	COM	OPEN	COM	OPEN	COM	OPEN	COM	OPEN	COM	OPEN	COM	OPEN	COM	OPEN	COM
3	OPEN	COM	OPEN	COM	OPEN	COM	OPEN	COM	OPEN	COM	OPEN	COM	OPEN	COM	OPEN	COM	OPEN	COM	OPEN	COM
4	OPEN	COM	OPEN	COM	OPEN	COM	OPEN	COM	OPEN	COM	OPEN	COM	OPEN	COM	OPEN	COM	OPEN	COM	OPEN	COM
5	OPEN	COM	OPEN	COM	OPEN	COM	OPEN	COM	OPEN	COM	OPEN	COM	OPEN	COM	OPEN	COM	OPEN	COM	OPEN	COM
6	OPEN	COM	OPEN	COM	OPEN	COM	OPEN	COM	OPEN	COM	OPEN	COM	OPEN	COM	OPEN	COM	OPEN	COM	OPEN	COM
7	OPEN	COM	OPEN	COM	OPEN	COM	OPEN	COM	OPEN	COM	OPEN	COM	OPEN	COM	OPEN	COM	OPEN	COM	OPEN	COM
8	OPEN	COM	OPEN	COM	OPEN	COM	OPEN	COM	OPEN	COM	OPEN	COM	OPEN	COM	OPEN	COM	OPEN	COM	OPEN	COM
9	OPEN	COM	OPEN	COM	OPEN	COM	OPEN	COM	OPEN	COM	OPEN	COM	OPEN	COM	OPEN	COM	OPEN	COM	OPEN	COM
10	OPEN	COM	OPEN	COM	OPEN	COM	OPEN	COM	OPEN	COM	OPEN	COM	OPEN	COM	OPEN	COM	OPEN	COM	OPEN	COM
11	OPEN	COM	OPEN	COM	OPEN	COM	OPEN	COM	OPEN	COM	OPEN	COM	OPEN	COM	OPEN	COM	OPEN	COM	OPEN	COM
12	OPEN	COM	OPEN	COM	OPEN	COM	OPEN	COM	OPEN	COM	OPEN	COM	OPEN	COM	OPEN	COM	OPEN	COM	OPEN	COM
13	OPEN	COM	OPEN	COM	OPEN	COM	OPEN	COM	OPEN	COM	OPEN	COM	OPEN	COM	OPEN	COM	OPEN	COM	OPEN	COM
14	OPEN	COM	OPEN	COM	OPEN	COM	OPEN	COM	OPEN	COM	OPEN	COM	OPEN	COM	OPEN	COM	OPEN	COM	OPEN	COM
15	OPEN	COM	OPEN	COM	OPEN	COM	OPEN	COM	OPEN	COM	OPEN	COM	OPEN	COM	OPEN	COM	OPEN	COM	OPEN	COM
16	OPEN	COM	OPEN	COM	OPEN	COM	OPEN	COM	OPEN	COM	OPEN	COM	OPEN	COM	OPEN	COM	OPEN	COM	OPEN	COM
17	OPEN	COM	OPEN	COM	OPEN	COM	OPEN	COM	OPEN	COM	OPEN	COM	OPEN	COM	OPEN	COM	OPEN	COM	OPEN	COM
18	OPEN	COM	OPEN	COM	OPEN	COM	OPEN	COM	OPEN	COM	OPEN	COM	OPEN	COM	OPEN	COM	OPEN	COM	OPEN	COM
19	OPEN	COM	OPEN	COM	OPEN	COM	OPEN	COM	OPEN	COM	OPEN	COM	OPEN	COM	OPEN	COM	OPEN	COM	OPEN	COM
20	OPEN	COM	OPEN	COM	OPEN	COM	OPEN	COM	OPEN	COM	OPEN	COM	OPEN	COM	OPEN	COM	OPEN	COM	OPEN	COM

- NOTE
1. Resistance is shown in Ohm (Ω), 1000 Ohm (K), 10000 Ohm (M).
 2. Unless otherwise noted, all capacitor values less than 1 μF are expressed in pF, and the values more than 1 μF are expressed in μF.
 3. Unless otherwise noted, all inductor values more than 1 mH are expressed in mH.
 4. All components with I.V.M. listed, semiconductor (S) or diode (D) listed, are to be checked for correct polarity.
 5. All components with I.V.M. listed, semiconductor (S) or diode (D) listed, are to be checked for correct polarity.
 6. All components with I.V.M. listed, semiconductor (S) or diode (D) listed, are to be checked for correct polarity.
 7. All components with I.V.M. listed, semiconductor (S) or diode (D) listed, are to be checked for correct polarity.
 8. This is a recommended circuit diagram, not a production drawing. It is intended to show the general arrangement of components and their interconnections. It is not intended to be used as a basis for manufacturing a circuit.
 9. The circuit is enclosed in dashed lines are optional parts. (A)



33004
L



Z-68
33004-147-821
LOT:03

MUTE R O L C

AV-3

JAKS

VIDEO LEFT RIGHT

RF/OUT

3-VIDEO

ER101 ER102 ER103 ER104 ER105 ER106 ER107 ER108 ER109 ER110 ER111 ER112 ER113 ER114 ER115 ER116 ER117 ER118 ER119 ER120 ER121 ER122 ER123 ER124 ER125 ER126 ER127 ER128 ER129 ER130 ER131 ER132 ER133 ER134 ER135 ER136 ER137 ER138 ER139 ER140 ER141 ER142 ER143 ER144 ER145 ER146 ER147 ER148 ER149 ER150 ER151 ER152 ER153 ER154 ER155 ER156 ER157 ER158 ER159 ER160 ER161 ER162 ER163 ER164 ER165 ER166 ER167 ER168 ER169 ER170 ER171 ER172 ER173 ER174 ER175 ER176 ER177 ER178 ER179 ER180 ER181 ER182 ER183 ER184 ER185 ER186 ER187 ER188 ER189 ER190 ER191 ER192 ER193 ER194 ER195 ER196 ER197 ER198 ER199 ER200 ER201 ER202 ER203 ER204 ER205 ER206 ER207 ER208 ER209 ER210 ER211 ER212 ER213 ER214 ER215 ER216 ER217 ER218 ER219 ER220 ER221 ER222 ER223 ER224 ER225 ER226 ER227 ER228 ER229 ER230 ER231 ER232 ER233 ER234 ER235 ER236 ER237 ER238 ER239 ER240 ER241 ER242 ER243 ER244 ER245 ER246 ER247 ER248 ER249 ER250 ER251 ER252 ER253 ER254 ER255 ER256 ER257 ER258 ER259 ER260 ER261 ER262 ER263 ER264 ER265 ER266 ER267 ER268 ER269 ER270 ER271 ER272 ER273 ER274 ER275 ER276 ER277 ER278 ER279 ER280 ER281 ER282 ER283 ER284 ER285 ER286 ER287 ER288 ER289 ER290 ER291 ER292 ER293 ER294 ER295 ER296 ER297 ER298 ER299 ER300 ER301 ER302 ER303 ER304 ER305 ER306 ER307 ER308 ER309 ER310 ER311 ER312 ER313 ER314 ER315 ER316 ER317 ER318 ER319 ER320 ER321 ER322 ER323 ER324 ER325 ER326 ER327 ER328 ER329 ER330 ER331 ER332 ER333 ER334 ER335 ER336 ER337 ER338 ER339 ER340 ER341 ER342 ER343 ER344 ER345 ER346 ER347 ER348 ER349 ER350 ER351 ER352 ER353 ER354 ER355 ER356 ER357 ER358 ER359 ER360 ER361 ER362 ER363 ER364 ER365 ER366 ER367 ER368 ER369 ER370 ER371 ER372 ER373 ER374 ER375 ER376 ER377 ER378 ER379 ER380 ER381 ER382 ER383 ER384 ER385 ER386 ER387 ER388 ER389 ER390 ER391 ER392 ER393 ER394 ER395 ER396 ER397 ER398 ER399 ER400 ER401 ER402 ER403 ER404 ER405 ER406 ER407 ER408 ER409 ER410 ER411 ER412 ER413 ER414 ER415 ER416 ER417 ER418 ER419 ER420 ER421 ER422 ER423 ER424 ER425 ER426 ER427 ER428 ER429 ER430 ER431 ER432 ER433 ER434 ER435 ER436 ER437 ER438 ER439 ER440 ER441 ER442 ER443 ER444 ER445 ER446 ER447 ER448 ER449 ER450 ER451 ER452 ER453 ER454 ER455 ER456 ER457 ER458 ER459 ER460 ER461 ER462 ER463 ER464 ER465 ER466 ER467 ER468 ER469 ER470 ER471 ER472 ER473 ER474 ER475 ER476 ER477 ER478 ER479 ER480 ER481 ER482 ER483 ER484 ER485 ER486 ER487 ER488 ER489 ER490 ER491 ER492 ER493 ER494 ER495 ER496 ER497 ER498 ER499 ER500 ER501 ER502 ER503 ER504 ER505 ER506 ER507 ER508 ER509 ER510 ER511 ER512 ER513 ER514 ER515 ER516 ER517 ER518 ER519 ER520 ER521 ER522 ER523 ER524 ER525 ER526 ER527 ER528 ER529 ER530 ER531 ER532 ER533 ER534 ER535 ER536 ER537 ER538 ER539 ER540 ER541 ER542 ER543 ER544 ER545 ER546 ER547 ER548 ER549 ER550 ER551 ER552 ER553 ER554 ER555 ER556 ER557 ER558 ER559 ER560 ER561 ER562 ER563 ER564 ER565 ER566 ER567 ER568 ER569 ER570 ER571 ER572 ER573 ER574 ER575 ER576 ER577 ER578 ER579 ER580 ER581 ER582 ER583 ER584 ER585 ER586 ER587 ER588 ER589 ER590 ER591 ER592 ER593 ER594 ER595 ER596 ER597 ER598 ER599 ER600 ER601 ER602 ER603 ER604 ER605 ER606 ER607 ER608 ER609 ER610 ER611 ER612 ER613 ER614 ER615 ER616 ER617 ER618 ER619 ER620 ER621 ER622 ER623 ER624 ER625 ER626 ER627 ER628 ER629 ER630 ER631 ER632 ER633 ER634 ER635 ER636 ER637 ER638 ER639 ER640 ER641 ER642 ER643 ER644 ER645 ER646 ER647 ER648 ER649 ER650 ER651 ER652 ER653 ER654 ER655 ER656 ER657 ER658 ER659 ER660 ER661 ER662 ER663 ER664 ER665 ER666 ER667 ER668 ER669 ER670 ER671 ER672 ER673 ER674 ER675 ER676 ER677 ER678 ER679 ER680 ER681 ER682 ER683 ER684 ER685 ER686 ER687 ER688 ER689 ER690 ER691 ER692 ER693 ER694 ER695 ER696 ER697 ER698 ER699 ER700 ER701 ER702 ER703 ER704 ER705 ER706 ER707 ER708 ER709 ER710 ER711 ER712 ER713 ER714 ER715 ER716 ER717 ER718 ER719 ER720 ER721 ER722 ER723 ER724 ER725 ER726 ER727 ER728 ER729 ER730 ER731 ER732 ER733 ER734 ER735 ER736 ER737 ER738 ER739 ER740 ER741 ER742 ER743 ER744 ER745 ER746 ER747 ER748 ER749 ER750 ER751 ER752 ER753 ER754 ER755 ER756 ER757 ER758 ER759 ER760 ER761 ER762 ER763 ER764 ER765 ER766 ER767 ER768 ER769 ER770 ER771 ER772 ER773 ER774 ER775 ER776 ER777 ER778 ER779 ER780 ER781 ER782 ER783 ER784 ER785 ER786 ER787 ER788 ER789 ER790 ER791 ER792 ER793 ER794 ER795 ER796 ER797 ER798 ER799 ER800 ER801 ER802 ER803 ER804 ER805 ER806 ER807 ER808 ER809 ER810 ER811 ER812 ER813 ER814 ER815 ER816 ER817 ER818 ER819 ER820 ER821 ER822 ER823 ER824 ER825 ER826 ER827 ER828 ER829 ER830 ER831 ER832 ER833 ER834 ER835 ER836 ER837 ER838 ER839 ER840 ER841 ER842 ER843 ER844 ER845 ER846 ER847 ER848 ER849 ER850 ER851 ER852 ER853 ER854 ER855 ER856 ER857 ER858 ER859 ER860 ER861 ER862 ER863 ER864 ER865 ER866 ER867 ER868 ER869 ER870 ER871 ER872 ER873 ER874 ER875 ER876 ER877 ER878 ER879 ER880 ER881 ER882 ER883 ER884 ER885 ER886 ER887 ER888 ER889 ER890 ER891 ER892 ER893 ER894 ER895 ER896 ER897 ER898 ER899 ER900 ER901 ER902 ER903 ER904 ER905 ER906 ER907 ER908 ER909 ER910 ER911 ER912 ER913 ER914 ER915 ER916 ER917 ER918 ER919 ER920 ER921 ER922 ER923 ER924 ER925 ER926 ER927 ER928 ER929 ER930 ER931 ER932 ER933 ER934 ER935 ER936 ER937 ER938 ER939 ER940 ER941 ER942 ER943 ER944 ER945 ER946 ER947 ER948 ER949 ER950 ER951 ER952 ER953 ER954 ER955 ER956 ER957 ER958 ER959 ER960 ER961 ER962 ER963 ER964 ER965 ER966 ER967 ER968 ER969 ER970 ER971 ER972 ER973 ER974 ER975 ER976 ER977 ER978 ER979 ER980 ER981 ER982 ER983 ER984 ER985 ER986 ER987 ER988 ER989 ER990 ER991 ER992 ER993 ER994 ER995 ER996 ER997 ER998 ER999