

**DATA SHEET**

# CX77304-17 PA Module for Tri-band EGSM DCS PCS / GPRS

**Applications**

- Tri-band cellular handsets encompassing
  - Class 4 EGSM900
  - Class 1 DCS1800
  - PCS1900, and
  - Up to Class 10 GPRS multi-slot operation

**Features**

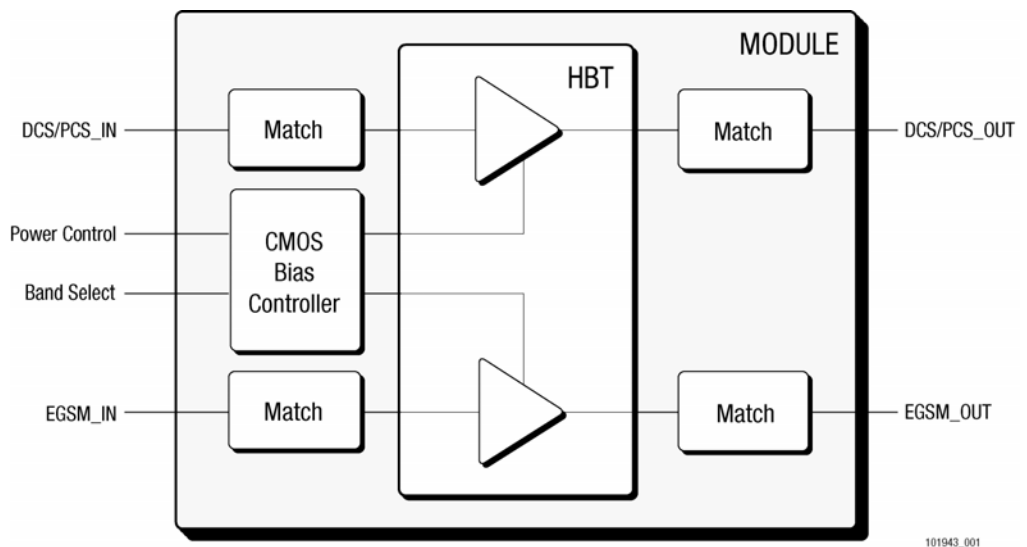
- High efficiency
  - EGSM 55%
  - DCS 50%
  - PCS 45%
- Input/output matching
  - 50 Ω internal
- Small outline
  - 9.1 mm × 11.6 mm
- Low profile
  - 1.5 mm
- Low APC current
  - 10 μA typical
- Gold plated, lead-free contacts

**Description**

The CX77304-17 Power Amplifier Module (PAM) is designed in a compact form factor for tri-band cellular handsets comprising EGSM900, DCS1800, and PCS1900 operation. It also supports Class 10 General Packet Radio Service (GPRS) multi-slot operation.

The PAM consists of an EGSM900 PA block, a DCS1800/PCS1900 PA block, impedance-matching circuitry for 50 Ω input and output, and bias control circuitry. Two separate Heterojunction Bipolar Transistor (HBT) PA blocks are fabricated on a single Gallium Arsenide (GaAs) die. One PA block operates in the EGSM900 band and the other PA block supports both the DCS1800 and the PCS1900 bands. Optimized for lithium ion battery operation, both PA blocks share common power supply pins to distribute current. A custom CMOS integrated circuit provides the internal interface circuitry, including a current amplifier that minimizes the required power control current ( $I_{APC}$ ) to 10 μA, typical. The GaAs die, the Silicon (Si) die, and passive components are mounted on a multi-layer laminate substrate. The assembly is encapsulated with plastic overmold.

The RF input and output ports are internally matched to 50 Ω to reduce the number of external components for a tri-band design. Extremely low leakage current (2 μA, typical) of the dual PA module maximizes handset standby time. The CX77304-17 also contains band-select switching circuitry to select EGSM (logic 0) and DCS/PCS (logic 1) as determined from the Band Select (BS) signal. In the block diagram shown below, the BS pin selects the PA output (DCS/PCS OUT or EGSM OUT) while the Analog Power Control (APC) controls the level of output power.



**Figure 1. Functional Block Diagram**

**Electrical Specifications**

The following tables list the electrical characteristics of the CX77304-17 Power Amplifier. [Table 1](#) lists the absolute maximum ratings and [Table 2](#) shows the recommended operating conditions. [Table 3](#) shows the electrical characteristics of the CX77304-17 for EGSM, DCS, and PCS modes. A typical CX77304-17 application diagram appears in [Figure 2](#).

The CX77304-17 is a static-sensitive electronic device and should not be stored or operated near strong electrostatic fields. Detailed ESD precautions along with information on device dimensions, pin descriptions, packaging and handling can be found in later sections of this data sheet.

**Table 1. Absolute Maximum Ratings**

Parameter	Minimum	Maximum	Unit
Input Power (P <sub>IN</sub> )	—	15	dBm
Supply Voltage (V <sub>CC</sub> ), Standby, V <sub>APC</sub> ≤ 0.3 V	—	7	V
Control Voltage (V <sub>APC</sub> )	-0.5	V <sub>CC_MAX</sub> - 0.2 (See Table 3)	V
Storage Temperature	-55	+100	°C

**Table 2. Recommended Operating Conditions <sup>(1)</sup>**

Parameter	Minimum	Typical	Maximum	Unit
Supply Voltage (V <sub>CC</sub> )	2.9	3.5	4.8 <sup>(1)</sup>	V
Supply Current (I <sub>CC</sub> )	0.0		2.5 <sup>(1)</sup>	A
Operating Case Temperature (T <sub>CASE</sub> )				
1-Slot (12.5% duty cycle)	-20		100	°C
2-Slot (25% duty cycle)	-20		90	
3-Slot (37.5% duty cycle)	-20		75	
4-Slot ( 50% duty cycle)	-20		60	

<sup>(1)</sup> For charging conditions with V<sub>CC</sub> > 4.8 V, derate I<sub>CC</sub> linearly down to 0.5 A max at V<sub>CC</sub> = 5.5 V.

**Table 3. CX77304-17 Electrical Specifications** <sup>(1)</sup> (1 of 6)

General						
Parameter	Symbol	Test Condition	Minimum	Typical	Maximum	Units
Supply voltage	VCC	—	2.9	3.5	4.8	V
Power control current	IAPC	—	—	10	100	μA
Leakage Current	I <sub>Q</sub>	VCC = 4.5 V VAPC = 0.3 V TCASE = +25 °C PIN ≤ -60 dBm	—	—	5	μA
APC Enable Threshold	VAPC_TH	—	200	—	600	mV
APC Enable Switching Delay	t <sub>SW</sub>	Time from VAPC ≥ VAPC_TH until P <sub>OUT</sub> ≤ (P <sub>OUT_FINAL</sub> - 3 dB)	5	—	8	μs
EGSM900 Mode (f = 880 to 915 MHz and PIN = 7 to 12 dBm)						
Parameter	Symbol	Test Condition	Minimum	Typical	Maximum	Units
Frequency range	f	—	880	—	915	MHz
Input power	PIN	—	7	—	12	dBm
Analog power control voltage	VAPC	P <sub>OUT</sub> = 32 dBm	1.2	1.7	2.1	V
Power Added Efficiency	PAE	VCC = 3.5 V P <sub>OUT</sub> ≥ 34.5 dBm VAPC ≈ 2.0 V pulse width 577 μs duty cycle 1:8 TCASE = +25 °C	50	55	—	%
	PAE_LOW INPUT	VCC = 3.5 V P <sub>OUT</sub> ≥ 34.5 dBm VAPC ≈ 2.0 V pulse width 577 μs duty cycle 1:8 TCASE = +25 °C PIN = 4 dBm	—	52	—	
Harmonics	2nd to 13th	2f <sub>0</sub> to 13f <sub>0</sub> BW = 3 MHz 5 dBm ≤ P <sub>OUT</sub> ≤ 35 dBm	—	—	-7	dBm
Output power	P <sub>OUT</sub>	VCC = 3.5 V VAPC ≈ 2.0 V TCASE = +25 °C	34.5	35.0	—	dBm
	P <sub>OUT_MAX</sub>	VCC = 3.5 V VAPC ≈ 2.0 V TCASE = +25 °C PIN = 4 dBm	—	34.75	—	
	P <sub>OUT_MAX</sub>	VCC = 2.9 V VAPC ≤ 2.6 V TCASE = -20 °C to +100 °C (See Table 2 for multislot) PIN = 7 dBm	32.0	33.0	—	
	P <sub>OUT_MAX</sub>	VCC = 4.8 V VAPC ≤ 2.6 V TCASE = -20 °C to +100 °C (See Table 2 for multislot) PIN = 7 dBm	32.0	33.0	—	

**Table 3. CX77304-17 Electrical Specifications** <sup>(1)</sup> (2 of 6)

EGSM900 Mode (f = 880 to 915 MHz and P <sub>IN</sub> = 7 to 12 dBm) [continued]						
Parameter	Symbol	Test Condition	Minimum	Typical	Maximum	Units
Input VSWR	$\Gamma_{IN}$	P <sub>OUT</sub> = 5 to 35 dBm controlled by V <sub>APC</sub>	—	1.5:1	2:1	—
Forward isolation	P <sub>OUT_STANDBY</sub>	P <sub>IN</sub> = 12 dBm V <sub>APC</sub> = 0.3 V	—	-35	-30	dBm
Switching time	$\tau_{RISE}, \tau_{FALL}$	Time from P <sub>OUT</sub> = -10 dBm to P <sub>OUT</sub> = +5 dBm $\tau \approx 90\%$	—	5	8	$\mu s$
		Time from P <sub>OUT</sub> = -10 dBm to P <sub>OUT</sub> = +20 dBm $\tau \approx 90\%$	—	5	8	
		Time from P <sub>OUT</sub> = -10 dBm to P <sub>OUT</sub> = +34.5 dBm $\tau \approx 90\%$	—	2	4	
Spurious	Spur	All combinations of the following parameters: V <sub>APC</sub> = controlled <sup>(2)</sup> P <sub>IN</sub> = min. to max. V <sub>CC</sub> = 2.9 V to 4.8 V Load VSWR = 8:1, all phase angles	No parasitic oscillation > -36 dBm			
Load mismatch	Load	All combinations of the following parameters: V <sub>APC</sub> = controlled <sup>(2)</sup> P <sub>IN</sub> = min. to max. V <sub>CC</sub> = 2.9 V to 4.8 V Load VSWR = 10:1, all phase angles	No module damage or permanent degradation			
Noise power	P <sub>NOISE</sub>	At f <sub>0</sub> + 20 MHz RBW = 100 kHz V <sub>CC</sub> = 3.5 V 5 dBm ≤ P <sub>OUT</sub> ≤ 34.5 dBm	—	—	-82	dBm
		At f <sub>0</sub> + 10 MHz RBW = 100 kHz V <sub>CC</sub> = 3.5 V 5 dBm ≤ P <sub>OUT</sub> ≤ 34.5 dBm	—	—	-76	
		At 1805 to 1880 MHz RBW = 100 kHz V <sub>CC</sub> = 3.5 V 5 dBm ≤ P <sub>OUT</sub> ≤ 34.5 dBm	—	—	-90	
Coupling of 2nd and 3rd harmonic from the EGSM band into the DCS / PCS band	f <sub>0</sub>	Measured at the DCS output -15 dBm ≤ P <sub>OUT</sub> ≤ 34 dBm	—	6	9	dBm
	2f <sub>0</sub>		—	-25	-20	
	3f <sub>0</sub>		—	-18	-15	

**Table 3. CX77304-17 Electrical Specifications (1)** (3 of 6)

DCS1800 Mode (f = 1710 to 1785 MHz and P <sub>IN</sub> = 6 to 11 dBm)						
Parameter	Symbol	Test Condition	Minimum	Typical	Maximum	Units
Frequency range	f	—	1710	—	1785	MHz
Input power	P <sub>IN</sub>	—	6	—	11	dBm
Analog power control voltage	V <sub>APC</sub>	P <sub>OUT</sub> = 29.5 dBm	1.35	1.7	2.1	V
Power Added Efficiency	PAE	V <sub>CC</sub> = 3.5 V P <sub>OUT</sub> ≥ 32 dBm V <sub>APC</sub> ≈ 2.0 V pulse width 577 μs duty cycle 1:8 T <sub>CASE</sub> = +25 °C	45	50	—	%
	PAE <sub>LOW INPUT</sub>	V <sub>CC</sub> = 3.5 V P <sub>OUT</sub> ≥ 32 dBm V <sub>APC</sub> ≈ 2.0 V pulse width 577 μs duty cycle 1:8 T <sub>CASE</sub> = +25 °C P <sub>IN</sub> = 4 dBm	—	49	—	
Harmonics	2nd	2f <sub>0</sub>	—	—	-5	dBm
	3rd to 7th	3f <sub>0</sub> to 7f <sub>0</sub>	—	—	-7	
Output power	P <sub>OUT</sub>	V <sub>CC</sub> = 3.5 V V <sub>APC</sub> ≈ 2.0 V T <sub>CASE</sub> = +25 °C	32.0	32.5	—	dBm
	P <sub>OUT_MAX</sub>	V <sub>CC</sub> = 3.5 V V <sub>APC</sub> ≈ 2.0 V T <sub>CASE</sub> = +25 °C P <sub>IN</sub> = 4 dBm	—	32.1	—	
	P <sub>OUT_MAX</sub>	V <sub>CC</sub> = 2.9 V V <sub>APC</sub> ≤ 2.6 V T <sub>CASE</sub> = -20 °C to +100 °C (See Table 2 for multislot) P <sub>IN</sub> = 6 dBm	29.5	30.5	—	
	P <sub>OUT_MAX</sub>	V <sub>CC</sub> = 4.8 V V <sub>APC</sub> ≤ 2.6 V T <sub>CASE</sub> = -20 °C to +100 °C (See Table 2 for multislot) P <sub>IN</sub> = 6 dBm	29.5	30.5	—	

**Table 3. CX77304-17 Electrical Specifications<sup>(1)</sup> (4 of 6)**

DCS1800 Mode (f = 1710 to 1785 MHz and P <sub>IN</sub> = 6 to 11 dBm) [continued]						
Parameter	Symbol	Test Condition	Minimum	Typical	Maximum	Units
Input VSWR	$\Gamma_{IN}$	P <sub>OUT</sub> = 0 to 32 dBm controlled by V <sub>APC</sub>	—	—	2:1	—
Forward isolation	P <sub>OUT_STANDBY</sub>	P <sub>IN</sub> = 10 dBm V <sub>APC</sub> = 0.3 V	—	-40	-35	dBm
Switching time	$\tau_{RISE}, \tau_{FALL}$	Time from P <sub>OUT</sub> = -10 dBm to P <sub>OUT</sub> = 0 dBm $\tau \approx 90\%$	—	10	12	$\mu s$
		Time from P <sub>OUT</sub> = -10 dBm to P <sub>OUT</sub> = +20 dBm $\tau \approx 90\%$	—	5	8	
		Time from P <sub>OUT</sub> = -10 dBm to P <sub>OUT</sub> = +32 dBm $\tau \approx 90\%$	—	2	5	
Spurious	Spur	All combinations of the following parameters: V <sub>APC</sub> = controlled <sup>(3)</sup> P <sub>IN</sub> = min. to max. V <sub>CC</sub> = 2.9 V to 4.8 V Load VSWR = 8:1, all phase angles	No parasitic oscillation > -36 dBm			
Load mismatch	Load	All combinations of the following parameters: V <sub>APC</sub> = controlled <sup>(3)</sup> P <sub>IN</sub> = min. to max. V <sub>CC</sub> = 2.9 V to 4.8 V Load VSWR = 10:1, all phase angles	No module damage or permanent degradation			
Noise power	P <sub>NOISE</sub>	At f <sub>0</sub> + 20 MHz RBW = 100 kHz V <sub>CC</sub> = 3.5 V 5 dBm ≤ P <sub>OUT</sub> ≤ 32 dBm	—	—	-80	dBm
		At 925 to 960 MHz RBW = 100 kHz V <sub>CC</sub> = 3.5 V 5 dBm ≤ P <sub>OUT</sub> ≤ 32 dBm	—	—	-95	

**Table 3. CX77304-17 Electrical Specifications**<sup>(1)</sup> (5 of 6)

PCS1900 Mode (f = 1850 to 1910 MHz and P <sub>IN</sub> = 6 to 11 dBm)						
Parameter	Symbol	Test Condition	Minimum	Typical	Maximum	Units
Frequency range	f	—	1850	—	1910	MHz
Input power	P <sub>IN</sub>	—	6	—	11	dBm
Analog power control voltage	V <sub>APC</sub>	P <sub>OUT</sub> = 29.5 dBm	1.35	1.7	2.1	V
Power Added Efficiency	PAE	V <sub>CC</sub> = 3.5 V P <sub>OUT</sub> ≥ 32 dBm V <sub>APC</sub> ≈ 2.0 V pulse width 577 μs duty cycle 1:8 T <sub>CASE</sub> = +25 °C	45	50	—	%
	PAE <sub>LOW INPUT</sub>	V <sub>CC</sub> = 3.5 V P <sub>OUT</sub> ≥ 32 dBm V <sub>APC</sub> ≈ 2.0 V pulse width 577 μs duty cycle 1:8 T <sub>CASE</sub> = +25 °C P <sub>IN</sub> = 4 dBm	—	44.5	—	
Harmonic	2nd to 7th	2f <sub>0</sub> to 7f <sub>0</sub> BW = 3 MHz 5 dBm ≤ P <sub>OUT</sub> ≤ 32 dBm	—	—	-7	dBm
Output power	P <sub>OUT</sub>	V <sub>CC</sub> = 3.5 V V <sub>APC</sub> ≈ 2.0 V T <sub>CASE</sub> = +25 °C	32.0	32.5	—	dBm
	P <sub>OUT_MAX</sub>	V <sub>CC</sub> = 3.5 V V <sub>APC</sub> ≈ 2.0 V T <sub>CASE</sub> = +25 °C P <sub>IN</sub> = 4 dBm	—	32.3	—	
	P <sub>OUT_MAX</sub>	V <sub>CC</sub> = 2.9 V V <sub>APC</sub> ≤ 2.6 V T <sub>CASE</sub> = -20 °C to +100 °C (See Table 2 for multislot) P <sub>IN</sub> = 6 dBm	29.5	30.5	—	
	P <sub>OUT_MAX</sub>	V <sub>CC</sub> = 4.8 V, V <sub>APC</sub> ≤ 2.6 V T <sub>CASE</sub> = -20 °C to +100 °C (See Table 2 for multislot) P <sub>IN</sub> = 6 dBm	29.5	30.5	—	
Input VSWR	Γ <sub>IN</sub>	P <sub>OUT</sub> = 0 to 32 dBm controlled by V <sub>APC</sub>	—	—	2.2:1	—
Forward isolation	P <sub>OUT_STANDBY</sub>	P <sub>IN</sub> = 10 dBm V <sub>APC</sub> = 0.3 V	—	-40	-35	dBm
Switching time	τ <sub>RISE</sub> , τ <sub>FALL</sub>	Time from P <sub>OUT</sub> = -10 dBm to P <sub>OUT</sub> = 0 dBm τ ≈ 90%	—	10	12	μs
		Time from P <sub>OUT</sub> = -10 dBm to P <sub>OUT</sub> = +20 dBm τ ≈ 90%	—	5	8	
		Time from P <sub>OUT</sub> = -10 dBm to P <sub>OUT</sub> = +32 dBm τ ≈ 90%	—	2	5	

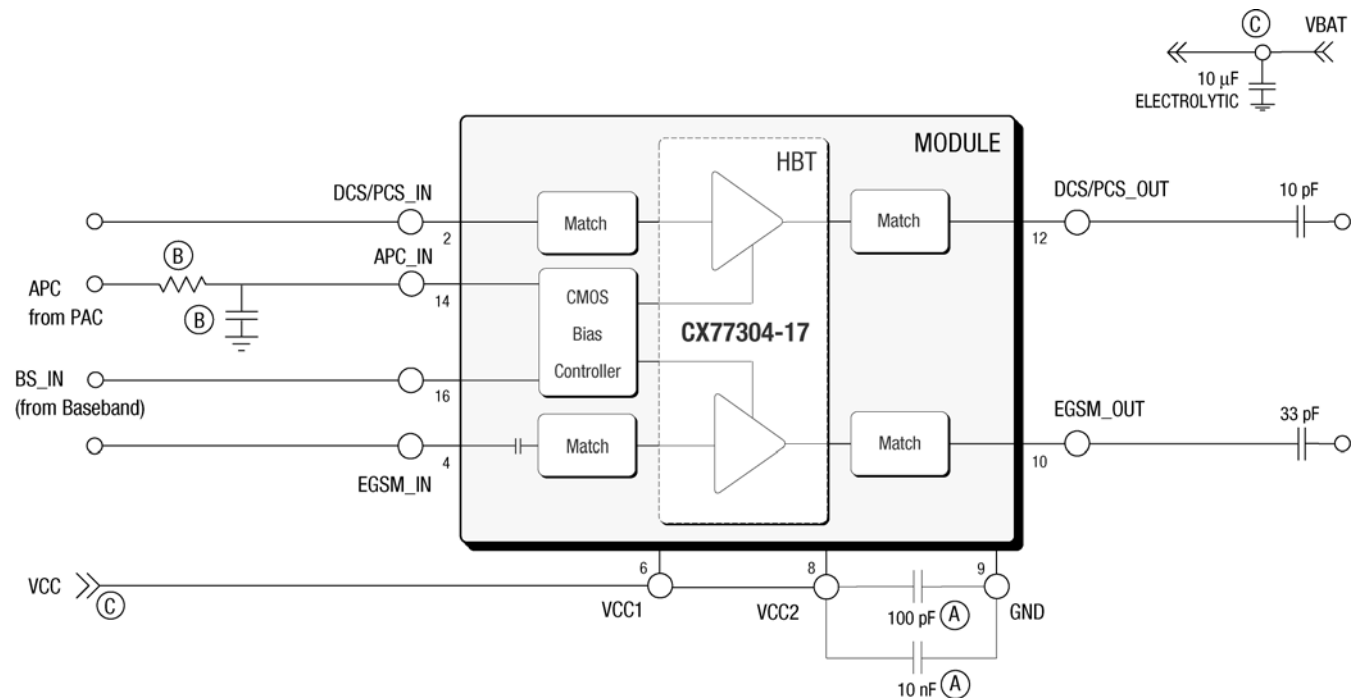
**Table 3. CX77304-17 Electrical Specifications** <sup>(1)</sup> (6 of 6)

PCS1900 Mode (f = 1850 to 1910 MHz and PIN = 6 to 11 dBm) [continued]						
Parameter	Symbol	Test Condition	Minimum	Typical	Maximum	Units
Spurious	Spur	All combinations of the following parameters: V <sub>APC</sub> = controlled <sup>(3)</sup> PIN = min. to max. V <sub>CC</sub> = 2.9 V to 4.8 V Load VSWR = 8:1, all phase angles	No parasitic oscillation > -36 dBm			
Load mismatch	Load	All combinations of the following parameters: V <sub>APC</sub> = controlled <sup>(3)</sup> PIN = min. to max. V <sub>CC</sub> = 2.9 V to 4.8 V Load VSWR = 10:1, all phase angles	No module damage or permanent degradation			
Noise power	PNOISE	At f <sub>0</sub> + 20 MHz RBW = 100 kHz V <sub>CC</sub> = 3.5 V 5 dBm ≤ P <sub>OUT</sub> ≤ 32 dBm	—	—	-77	dBm
		At 869 to 894 MHz RBW = 100 kHz V <sub>CC</sub> = 3.5 V 5 dBm ≤ P <sub>OUT</sub> ≤ 32 dBm	—	—	-95	

<sup>(1)</sup> Unless specified otherwise: T<sub>CASE</sub> = -20 °C to max. operating temperature (see Table 2), R<sub>L</sub> = 50 Ω, pulsed operation with pulse width ≤ 2308 μs and duty cycle ≤ 4:8, V<sub>CC</sub> = 2.9 V to 4.8 V.

<sup>(2)</sup> I<sub>CC</sub> = 0A to xA, where x = current at P<sub>OUT</sub> = 34.5 dBm, 50 Ω load, and V<sub>CC</sub> = 3.5 V.

<sup>(3)</sup> I<sub>CC</sub> = 0A to xA, where x = current at P<sub>OUT</sub> = 32.0 dBm, 50 Ω load, and V<sub>CC</sub> = 3.5 V.



- (A) Place caps at closest proximity to PA module with the capacitor ground directly connected to the PAM grounds.
- (B) Optional depending on PAC circuit.
- (C) Common connect VBAT to all VCC pins.

101943\_002

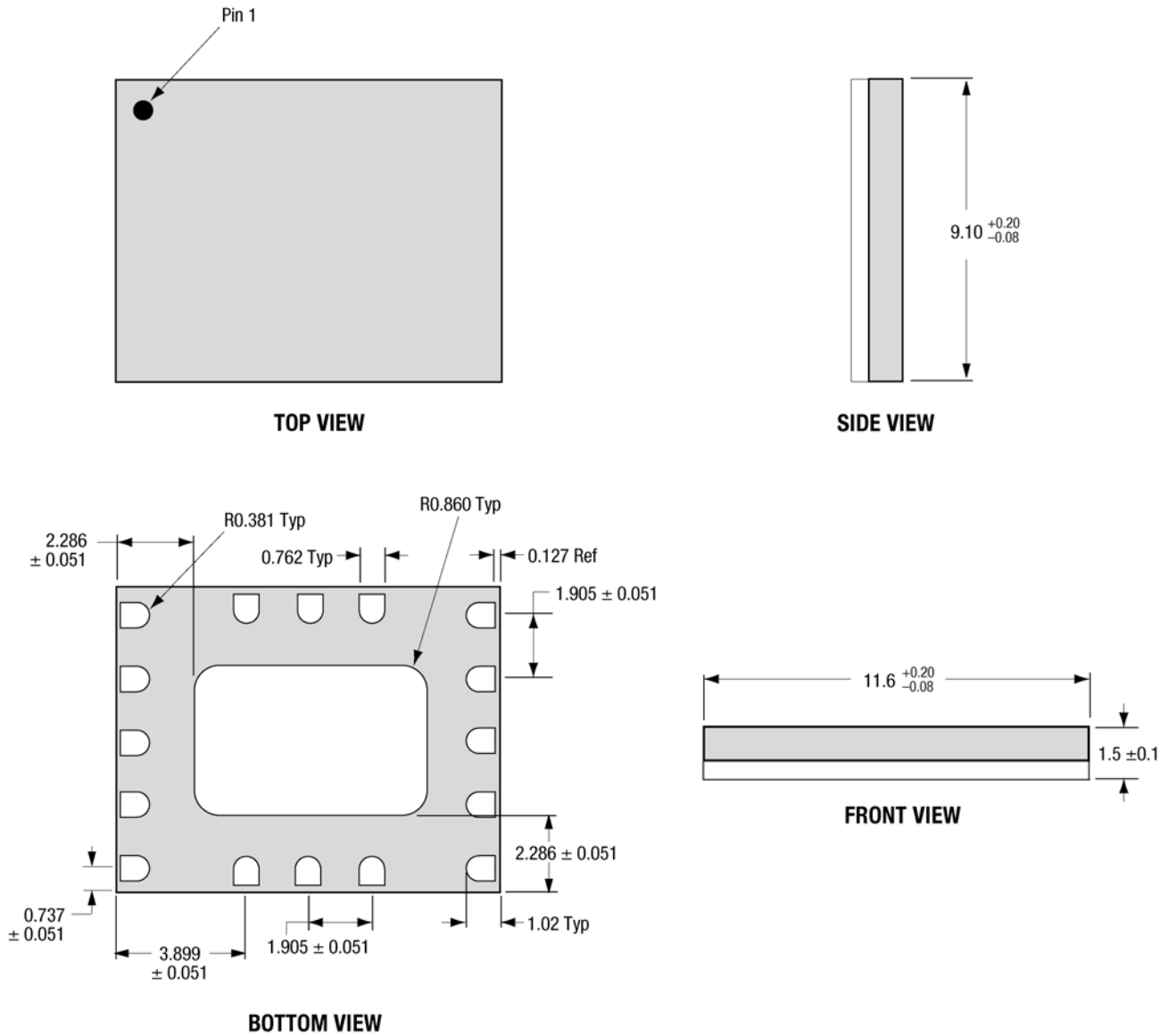
**Figure 2. Typical CX77304-17 PAM Application**



**Package Dimensions and Pin Descriptions**

Figure 3 is a mechanical diagram of the pad layout for the 16-pin leadless CX77304-17 tri-band PA module. Figure 4 provides a recommended phone board footprint for the PAM to help the designer attain optimum thermal conductivity, good grounding, and minimum RF discontinuity for the 50-ohm terminals.

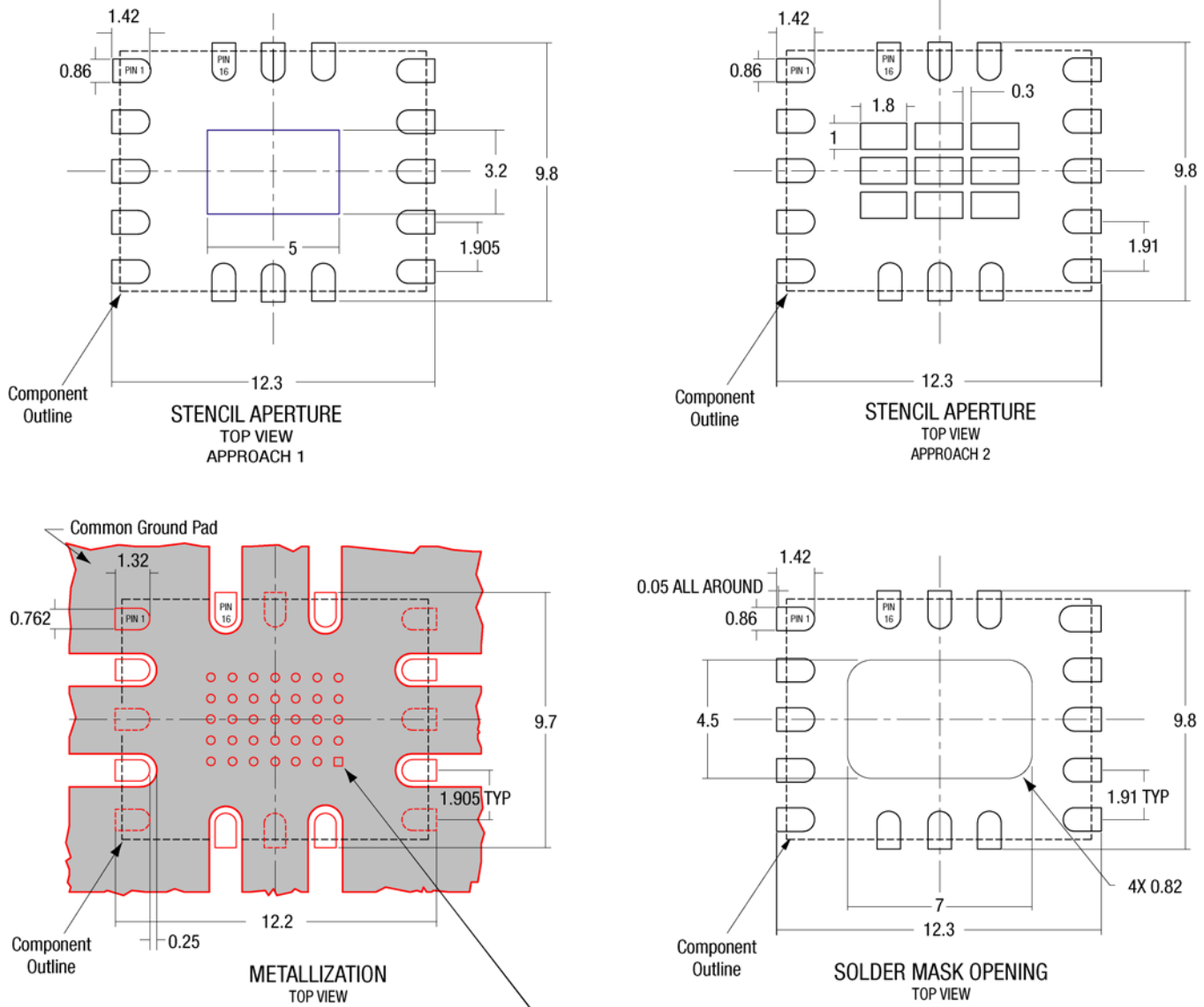
Table 4 lists the pin labels and descriptions and Figure 5 shows the device pin configuration and pin numbering, which starts with pin 1 in the upper left, as shown, and increments counter-clockwise around the package. Figure 6 interprets typical case markings.



- NOTE(S):
1. All contact points are gold plated, lead free-surfaces.
  2. All dimensions are in millimeters.

101943\_003

**Figure 3. CX77304-17 PAM Package Dimensions—16-pin Module (All Views)**



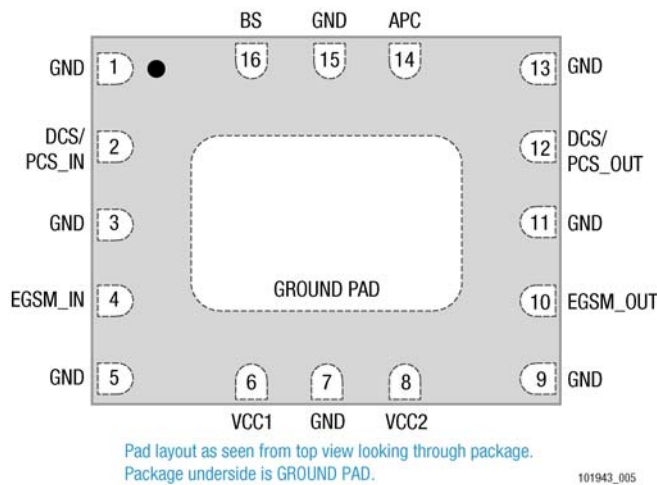
Thermal Via Array  
 Ø 0.3 mm on 0.8 mm pitch  
 Additional vias will improve thermal performance.  
 NOTE: Thermal via should be tented and filled with solder mask, 30–35 µm Cu plating recommended.

101943\_006

**Figure 4. Phone Board Layout Footprint for 9.1 mm x 11.6 mm Package**

**Table 4. CX77304-17 Signal Description**

Pin	Name	Description	Pin	Name	Description
1	GND	Ground	9	GND	Ground
2	DCS/PCS_IN	RF input to DCS/PCS PA	10	EGSM_OUT	EGSM RF output (DC coupled)
3	GND	Ground	11	GND	Ground
4	EGSM_IN	RF input to EGSM PA	12	DCS/PCS_OUT	DCS/PCS RF output (DC coupled)
5	GND	Ground	13	GND	Ground
6	VCC1	Power supply for PA driver stages	14	APC	Analog Power Control
7	GND	Ground	15	GND	Ground
8	VCC2	Power supply for PA output stages	16	BS	Band Select

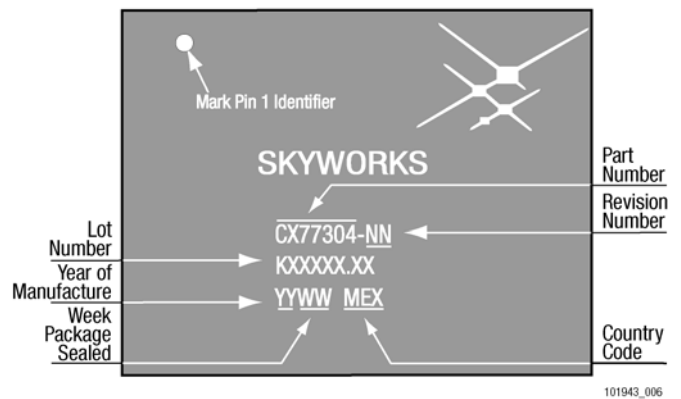


**Figure 5. CX77304-17 Pin Configuration—16-Pin Leadless PAM (Top View)**

**Package and Handling Information**

Because of its sensitivity to moisture absorption, this device package is baked and vacuum packed prior to shipment. Instructions on the shipping container label must be followed regarding exposure to moisture after the container seal is broken, otherwise, problems related to moisture absorption may occur when the part is subjected to high temperature during solder assembly.

The CX77304-17 is capable of withstanding an MSL 3/240 °C solder reflow. Care must be taken when attaching this product, whether it is done manually or in a production solder reflow environment. If the part is attached in a reflow oven, the temperature ramp rate should not exceed 5 °C per second; maximum temperature should not exceed 240 °C. If the part is manually attached, precaution should be taken to insure that the part is not subjected to temperatures exceeding 240 °C for more than 10 seconds. For details on both attachment techniques, precautions, and handling procedures recommended by Skyworks, please refer to *Skyworks Application Note: PCB Design and SMT Assembly/Rework, Document Number 101752*.



**Figure 6. Typical Case Markings**

Additional information on standard SMT reflow profiles can also be found in the *JEDEC Standard J-STD-020*.

Production quantities of this product are shipped in the standard tape-and-reel format. For packaging details, refer to *Skyworks Application Note: Tape and Reel, Document Number 101568*.

**Electrostatic Discharge Sensitivity**

The CX77304-17 is a Class I device. [Figure 7](#) lists the Electrostatic Discharge (ESD) immunity level for each pin of the CX77304-17 product. The numbers in [Figure 7](#) specify the ESD threshold level for each pin where the I-V curve between the pin and ground starts to show degradation. The ESD testing was performed in compliance with MIL-STD-883E Method 3015.7 using the Human Body Model. If ESD damage threshold magnitude is found to consistently exceed 2000 volts on a given pin, this so is indicated. If ESD damage threshold below 2000 volts is measured for either polarity, numbers are indicated that represent worst case values observed in product characterization.

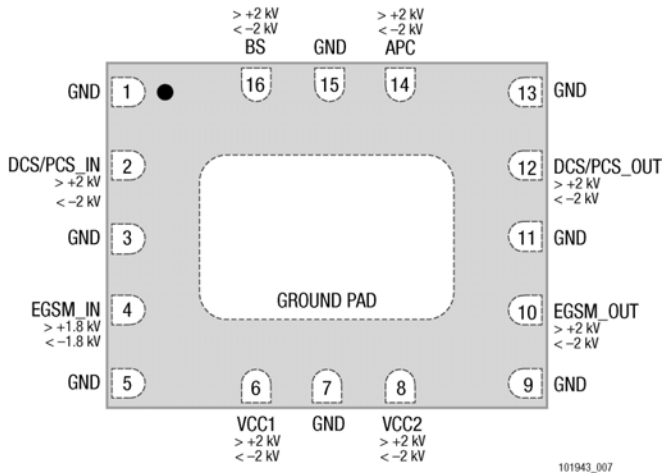


Figure 7. ESD Sensitivity Areas

Various failure criteria can be utilized when performing ESD testing. Many vendors employ relaxed ESD failure standards, which fail devices only after “the pin fails the electrical specification limits” or “the pin becomes completely non-functional”. Skyworks employs most stringent criteria, fails devices as soon as the pin begins to show any degradation on a curve tracer.

To avoid ESD damage, latent or visible, it is very important the Class-1 ESD handling precautions listed below are observed in the product assembly and test areas.

- Personnel Grounding
  - Wrist Straps
  - Conductive Smocks, Gloves and Finger Cots
  - Antistatic ID Badges
- Facility
  - Relative Humidity Control and Air Ionizers
  - Dissipative Floors (less than  $10^9 \Omega$  to GND)
- Protective Workstation
  - Dissipative Table Tops
  - Protective Test Equipment (Properly Grounded)
  - Grounded Tip Soldering Irons
  - Conductive Solder Suckers
  - Static Sensors
- Protective Packaging & Transportation
  - Bags and Pouches (Faraday Shield)
  - Protective Tote Boxes (Conductive Static Shielding)
  - Protective Trays
  - Grounded Carts
  - Protective Work Order Holders

## Technical Information

### CMOS Bias Controller Characteristics

The CMOS die within the PAM performs several functions that are important to the overall module performance. Some of these functions must be considered for development of the power ramping features in a 3GPP compliant transmitter power control loop. Power ramping considerations will be discussed later in this section.

*NOTE: Please refer to 3GPP TS 05.05, Digital Cellular Communications System (Phase 2+); Radio Transmission and Reception. All GSM specifications are now the responsibility of 3GPP. The standards are available at <http://www.3gpp.org/specs/specs.htm>*

The four main functions described in this section are Standby Mode Control, Band Select, Voltage Clamp, and Current Buffer. The functional block diagram is shown in Figure 8.

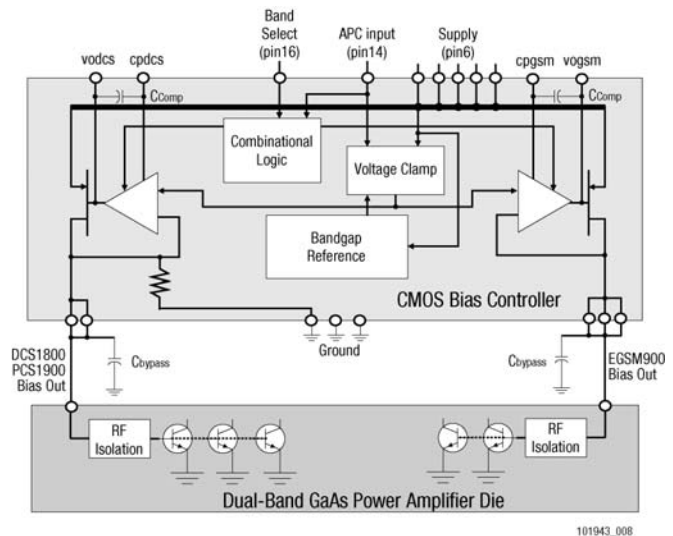


Figure 8. Functional Block Diagram

### Standby Mode Control

The Combinational Logic cell includes enable circuitry that monitors the APC ramping voltage from the power amplifier controller (PAC) circuit in the GSM transmitter. Typical handset designs directly connect the PA  $V_{CC}$  to the battery at all times, and for some PA manufacturers this requires a control signal to set the device in or out of standby mode. The Skyworks PAM does not require a Transmit Enable input because it contains a standby detection circuit that senses the  $V_{APC}$  to enable or disable the PA. This feature helps minimize battery discharge when the PA is in standby mode. When  $V_{APC}$  is below the enable threshold voltage, the PA goes into a standby mode, which reduces battery current ( $I_{CC}$ ) to 6  $\mu A$ , typical, under nominal conditions.

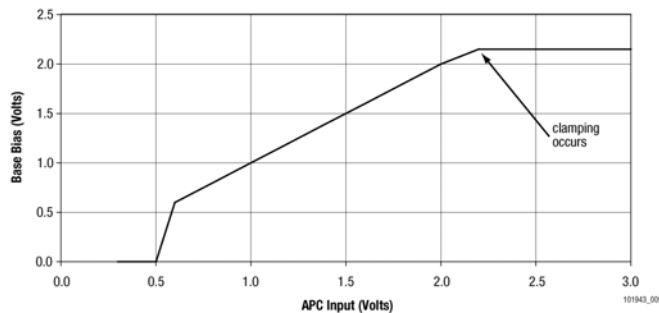
For voltages less than 700 mV at the APC input (pin 14), the PA bias is held at ground. As the APC input exceeds the enable threshold, the bias will activate. After an 8  $\mu$ s delay, the amplifier internal bias will ramp quickly to match the ramp voltage applied to the APC input. In order for the internal bias to precisely follow the APC ramping voltage, it is critical that a ramp pedestal is set to the APC input at or above the enable threshold level with a timing at least 8  $\mu$ s prior to ramp-up. This will be discussed in more detail in the following section, "Power Ramping Considerations for 3GPP Compliance".

**Band Select**

The Combinational Logic cell also includes a simple gate arrangement that selects the desired operational band by activating the appropriate current buffer. The voltage threshold level at the Band Select input (pin 16) will determine the active path of the bias output to the GaAs die.

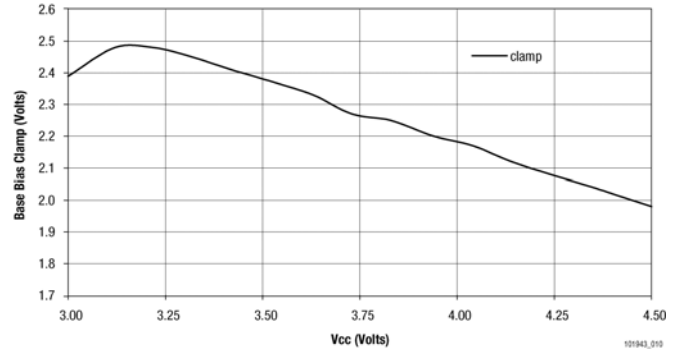
**Voltage Clamp**

The Voltage Clamp circuit will limit the maximum bias voltage output applied to the bases of the HBT devices on the GaAs die. This provides protection against electrical overstress (EOS) of the active devices during high voltage and/or load mismatch conditions. Figure 9 shows the typical transfer function of the APC input to buffer output under resistively loaded conditions. Notice the enable function near 600 mV, and the clamp acting at 2.15 V, corresponding to a supply voltage of 4.0 V.



**Figure 9. Base Bias Voltage vs. APC Input, VCC = 4.0 V**

Due to output impedance effects, the bias of the GaAs devices increases as the supply voltage increases. The Voltage Clamp is designed to gradually decrease in level as the battery voltage increases. The performance of the clamp circuit is enhanced by the band gap reference that provides a supply-, process-, and temperature-independent reference voltage. The transfer function relative to  $V_{BAT}$  is shown in Figure 10. For battery voltages below 3.4 V, the base bias voltage is limited by the common mode range of the buffer amplifier. For battery voltages above 3.4 V, the clamp limits the base bias.



**Figure 10. Base Bias Clamp Voltage vs. Supply Voltage**

**Current Buffer**

The output buffer amplifier performs a vital function in the CMOS device by transferring the APC input voltage ramp to the base of the GaAs power devices. This allows the APC input to be a high impedance port, sinking only 10  $\mu$ A, typical, assuring no loading effects on the PAC circuit. The buffers are designed to source the high GaAs base currents required, while allowing a settling time of less than 8  $\mu$ s for a 1.5 V ramp.

**Power Ramping Considerations for 3GPP Compliance**

The primary variables in the power control loop that the system designer must control are:

- Software control of the DSP / DAC
- Software control of the transmitter timing signals
- Ramp profile attributes - pedestal, number of steps, duration of steps
- Layout of circuit / parasitics
- RC time constants within the PAC circuit design

All of these variables will directly influence the ability of a GSM transmitter power control loop to comply with 3GPP specifications.

Although there is a specific time mask template in which the transmitter power is allowed to ramp up, the method is very critical. The 3GPP system specification for switching transients results in a requirement to limit the edge rate of output power transitions of the mobile. Switching transients are caused by the transition from minimum output power to the desired output power, and vice versa. The spectrum generated by this transition is due to the ramping waveform amplitude modulation imposed on the carrier. Sharper transitions tend to produce more spectral "splatter" than smooth transitions. If the transmit output power is ramped up too slowly, the radio will violate the time mask specification. In this condition, the radio may not successfully initiate or maintain a phone call. If the transmit output power is ramped up too quickly, this will cause RF "splatter" at certain frequency offsets from the carrier as dictated by the 3GPP specification. This splatter, known as Output RF Spectrum (ORFS)

due to Switching Transients, will increase the system noise level, which may knock out other users on the system. The main difficulty with TDMA power control is allowing the transmitter to ramp the output power up and down gradually so switching transients are not compromised while meeting the time mask template at all output power levels in all operational bands. The transmitter has 28  $\mu\text{s}$  to ramp up power from an off state to the desired power level.

The GSM transmitter power control loop generally involves feedback around the GaAs PA, which limits the bandwidth of signals that can be applied to the PA bias input. Since the PA is within the feedback loop, its own small-signal frequency response must exhibit a bandwidth 5 to 10 times that of the power control loop. As discussed in the previous section, the PA bias is held at ground for inputs less than 700 mV. As the APC input exceeds the enable threshold, the bias will activate. After an 8  $\mu\text{s}$  delay, the amplifier internal bias will quickly ramp to match the ramp voltage applied to the  $V_{\text{APC}}$  input. Since the bias must be wide band relative to the power control loop, the ramp will exhibit a fast edge rate. If the APC input increases beyond 1 V before the 8  $\mu\text{s}$  switching delay is allowed to occur after the bias is enabled, the PA will have significant RF output as the internal bias approaches the applied bias. During this ramp, the internal power control is running "open loop" and the edge rates are defined by the frequency response of the PA bias rather than that of the power control loop. This open loop condition will result in switching transients that are directly correlated to the PA bias bandwidth.

Application of an initial APC voltage, which enables the bias at least 8  $\mu\text{s}$  before the  $V_{\text{APC}}$  voltage is ramped, will ensure that the internal bias of the PAM will directly follow the applied  $V_{\text{APC}}$ . As a result, the power control loop will define all edge transitions rather than the PA internal bandwidth defining the transition. Figure 11 and Figure 12 show the relationships of the internal bias relative to the applied APC in two cases. One case has ramping starting from ground; the other case has ramping starting with an initial enable pedestal of 700 mV. It is evident that the pedestal level is critical to ensure a predictable and well behaved power control loop.

To enable the CMOS driver in the PAM prior to ramp-up, a PAC output pedestal level to the APC input of the PAM (pin 14) should be set to about 700 mV. This pedestal level should have a duration of at least 8 ms directly prior to the start of ramp up.

Figure 13 shows typical signals and timings measured in a GSM transmitter power control loop. This particular example is at GSM Power Level 5, Channel 62. The oscilloscope traces are TxVCO\_enable, PAC\_enable, DAC Ramp, and  $V_{\text{APC}}$  (pin 14).

**NOTE:** When the TxVCO is enabled, the pedestal becomes set at the APC input of the PAM, then the PAC is enabled, and finally the DAC ramp begins.

The device specifications for enable threshold level and switching delay are shown in Table 3.

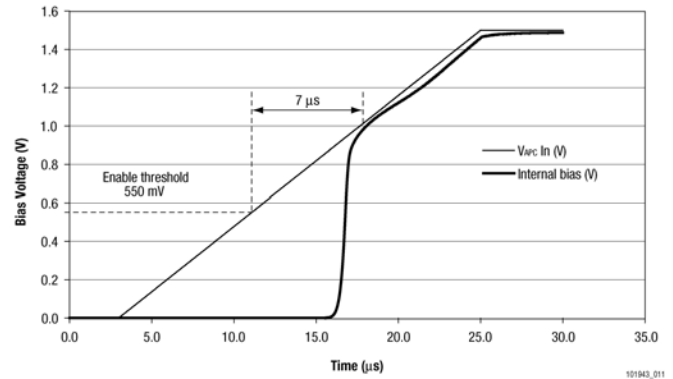


Figure 11. PAM Internal Bias Performance—No Pedestal Applied

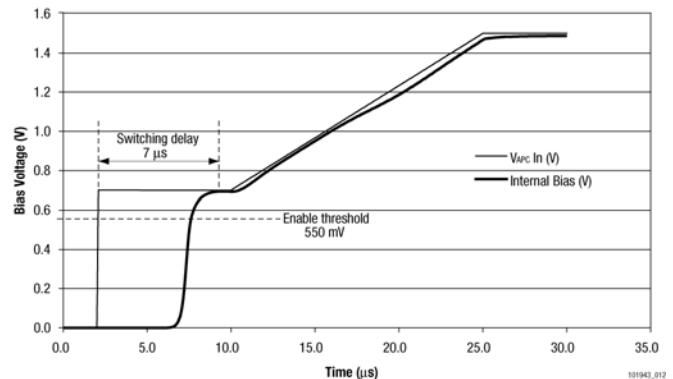


Figure 12. PAM Internal Bias Performance—Pedestal Applied

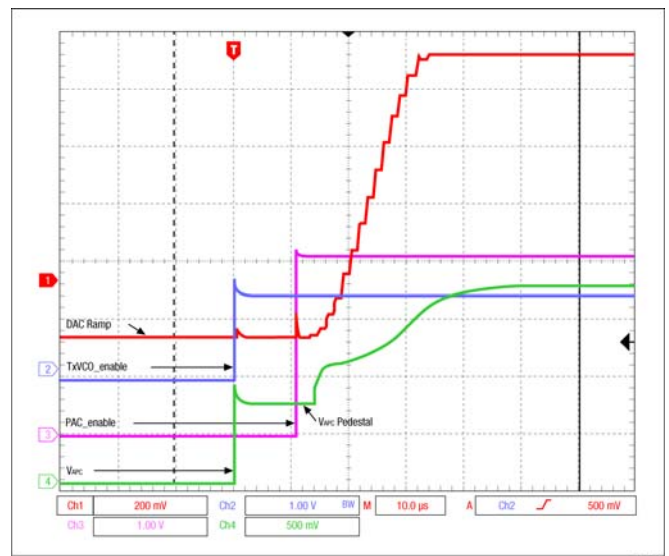


Figure 13. GSM Transmitter – Typical Ramp-up Signals

## Ordering Information

Model Number	Manufacturing Part Number	Product Revision	Package	Operating Temperature
CX77304-17	CX77304-17	17	9.1 x 11.6 x 1.5 mm	-20 °C to +100 °C

## Revision History

Revision	Level	Date	Description
A		September 19, 2003	Initial Release
B		July 29, 2004	Revise: Figure 3 <changed thickness dimension from "1.50 mm max." to "1.5 ±0.1 mm" >

## References

Application Note: Tape and Reel, Document Number 101568

Application Note: PCB Design and SMT Assembly/Rework, Document Number 101752

JEDEC Standard J-STD-020

© 2001-2004, Skyworks Solutions, Inc. All Rights Reserved.

Information in this document is provided in connection with Skyworks Solutions, Inc. ("Skyworks") products. These materials are provided by Skyworks as a service to its customers and may be used for informational purposes only. Skyworks assumes no responsibility for errors or omissions in these materials. Skyworks may make changes to its products, specifications and product descriptions at any time, without notice. Skyworks makes no commitment to update the information and shall have no responsibility whatsoever for conflicts, incompatibilities, or other difficulties arising from future changes to its products and product descriptions.

No license, express or implied, by estoppel or otherwise, to any intellectual property rights is granted by this document. Except as may be provided in Skyworks' Terms and Conditions of Sale for such products, Skyworks assumes no liability whatsoever.

These materials are provided "as is" without warranty of any kind, either express or implied, relating to sale and/or use of SKYWORKS™ products including warranties relating to fitness for a particular purpose, merchantability, PERFORMANCE, QUALITY or NON-infringement of any patent, copyright or other intellectual property right. SKYWORKS further does not warrant the accuracy or completeness of the information, text, graphics or other items contained within these materials. SKYWORKS shall not be liable for any special, indirect, incidental, or consequential damages, including without limitation, lost revenues or lost profits THAT may result from the use of these materials.

Skyworks™ products are not intended for use in medical, lifesaving or life-sustaining applications. Skyworks' customers using or selling Skyworks™ products for use in such applications do so at their own risk and agree to fully indemnify Skyworks for any damages resulting from such improper use or sale.

The following are trademarks of Skyworks Solutions, Inc.: Skyworks™, the Skyworks symbol, and "Breakthrough Simplicity"™. Product names or services listed in this publication are for identification purposes only, and may be trademarks of third parties. Third-party brands and names are the property of their respective owners.

Additional information, posted at [www.skyworksinc.com](http://www.skyworksinc.com), is incorporated by reference.