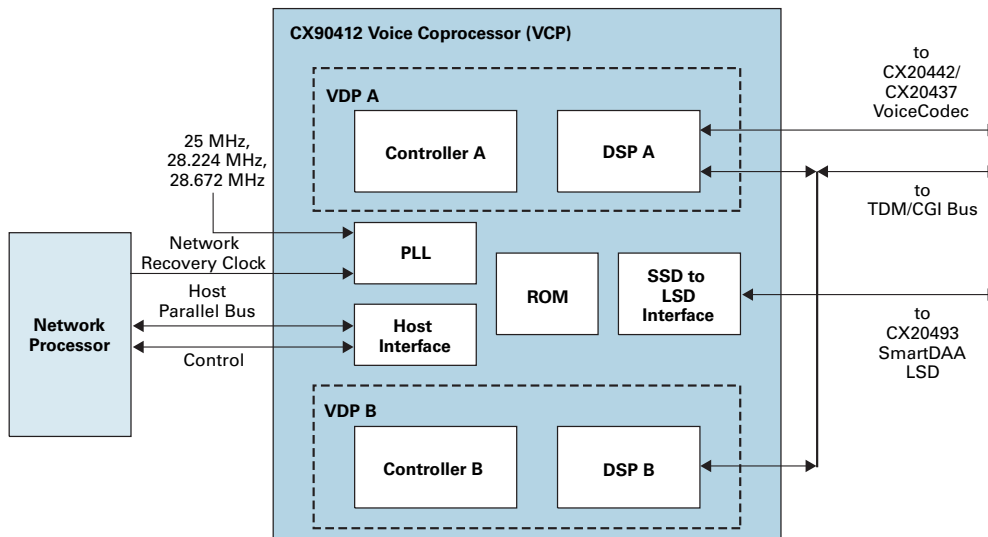




www.DataSheet.in



CX90412 Voice Coprocessor (VCP) Simplified Interface System Block Diagram

Product Features

- Fully integrated device including memory
- G.711, G.723.1, G.726, and G.729AB codecs
- Echo cancellation (G.165, G.168 compliant)
- Tone detection and generation (DTMF, dial tone, call waiting, busy, etc.)
- Dynamic jitter buffer
- Bell 202 and V.23 Caller ID
- T.38 fax support
- Packet loss concealment
- Voice activity detection (VAD)
- Comfort noise generation
- Automatic fax/modem detection and pass-through
- TDM bus clocks generation
- Integrated system side device (SSD) for FXO support (CX90412 and CX90411 only)
- Glueless interface to the processors for multi-line support

- Glueless interface to SLIC/SLACs
- Speakerphone
- Acoustic echo cancellation (AEC)
- CX90412 VCP supports two voice channels
- CX90411 VCP supports one voice channel
- CX90410 VCP supports one voice channel and is pin-compatible with the CXP9168

Applications

- Ethernet router with VoIP
- DSL router with VoIP
- Integrated access device (IAD)
- VoIP phone
- MTU/MDU voice and data system

© 2004, Conexant Systems, Inc. All Rights Reserved. Conexant and the Conexant logo are registered trademarks of Conexant Systems, Inc. All other trademarks are owned by their respective owners. Although Conexant strives for accuracy in all its publications, this material may contain errors or omissions and is subject to change without notice. **THIS MATERIAL IS PROVIDED AS IS AND WITHOUT ANY EXPRESS OR IMPLIED WARRANTIES, INCLUDING MERCHANTABILITY, FITNESS FOR A PARTICULAR PURPOSE AND NON-INFRINGEMENT.** Conexant shall not be liable for any special, indirect, incidental or consequential damages as a result of its use.

www.conexant.com
 General Information:
 U.S. and Canada: (888) 855-4562
 International: (732) 345-7500
 Headquarters
 4000 MacArthur Blvd.
 Newport Beach, CA 92660
 Order# 102763A

