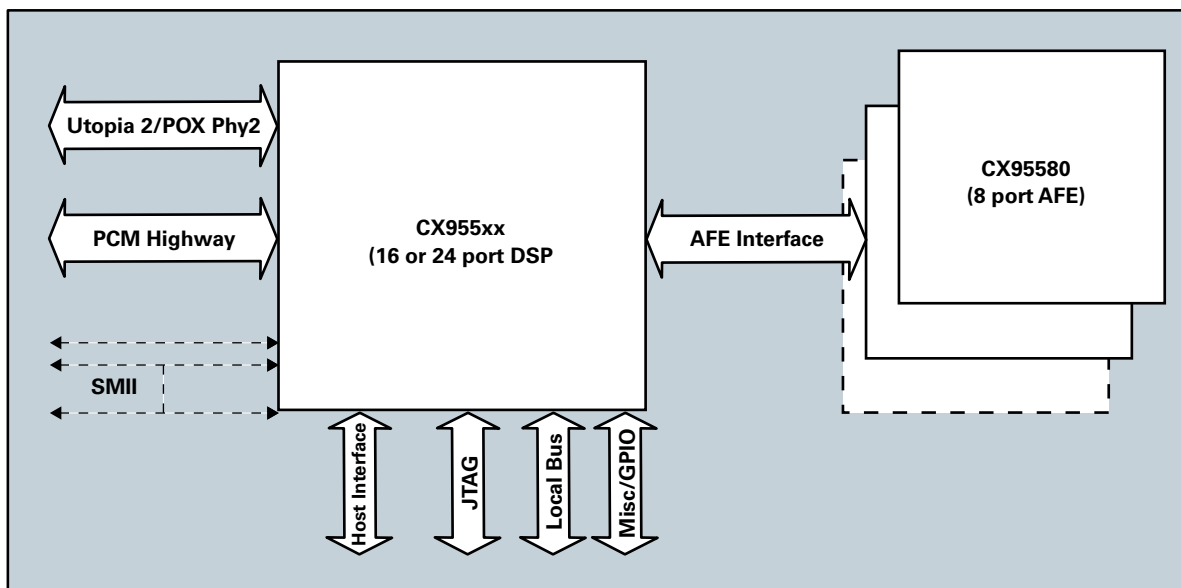




The CX95516 and CX95524 chipsets support 16 and 24 channels of ADSL2/ADSL2+/ADSL2plus, respectively. The CX99516 chipset includes a 16-port DSP and two Analog Front-End (AFE) chips. The DSP is packaged in a 472-pin Plastic Ball Grid Array (PBGA), and the AFE is packaged in

a 144-pin Low-profile, Fine Pitch Ball Grid Array (LFBGA). The CX95524 chipset includes a DSP in a 24-port configuration and three AFEs. The 24-port Digital Signal Processor (DSP) is packaged in a 668-pin PBGA



CX95516 Block Diagram

Applications

- CO DSLAM
- Remote access servers, including Digital Loop Carriers (DLC) and MxU business and residential data access services, including high-speed Internet access
- Triple play applications with video, voice, and data
- Ethernet over First Mile (EFM) applications

Conexant Product Portfolio

The company's broad portfolio of semiconductor products also includes client-side DSL and cable modem solutions, home network processors, broadcast video encoders and decoders, digital set-top box components and systems solutions, and dial-up modems. In addition to its IEEE 802.11a/b/g-compliant WLAN chipsets, software, and reference designs, Conexant offers a suite of networking components that includes solutions for applications based on HomePlug® and HomePNA™. Additional products include a complete line of asymmetric and symmetric DSL central office solutions, which are used by service providers worldwide to deliver broadband data, voice, and video over copper telephone lines.

© 2006, Conexant Systems, Inc. All Rights Reserved. Conexant and the Conexant logo are registered trademarks of Conexant Systems, Inc. All other trademarks are owned by their respective owners. Although Conexant strives for accuracy in all its publications, this material may contain errors or omissions and is subject to change without notice. **THIS MATERIAL IS PROVIDED AS IS AND WITHOUT ANY EXPRESS OR IMPLIED WARRANTIES, INCLUDING MERCHANTABILITY, FITNESS FOR A PARTICULAR PURPOSE AND NON-INFRINGEMENT.** Conexant shall not be liable for any special, indirect, incidental or consequential damages as a result of its use.

www.conexant.com
General Information:
 U.S. and Canada: (888) 855-4562
 International: (732) 345-7500
 Headquarters
 4000 MacArthur Blvd.
 Newport Beach, CA 92660
 Order# PBR-201059-001

