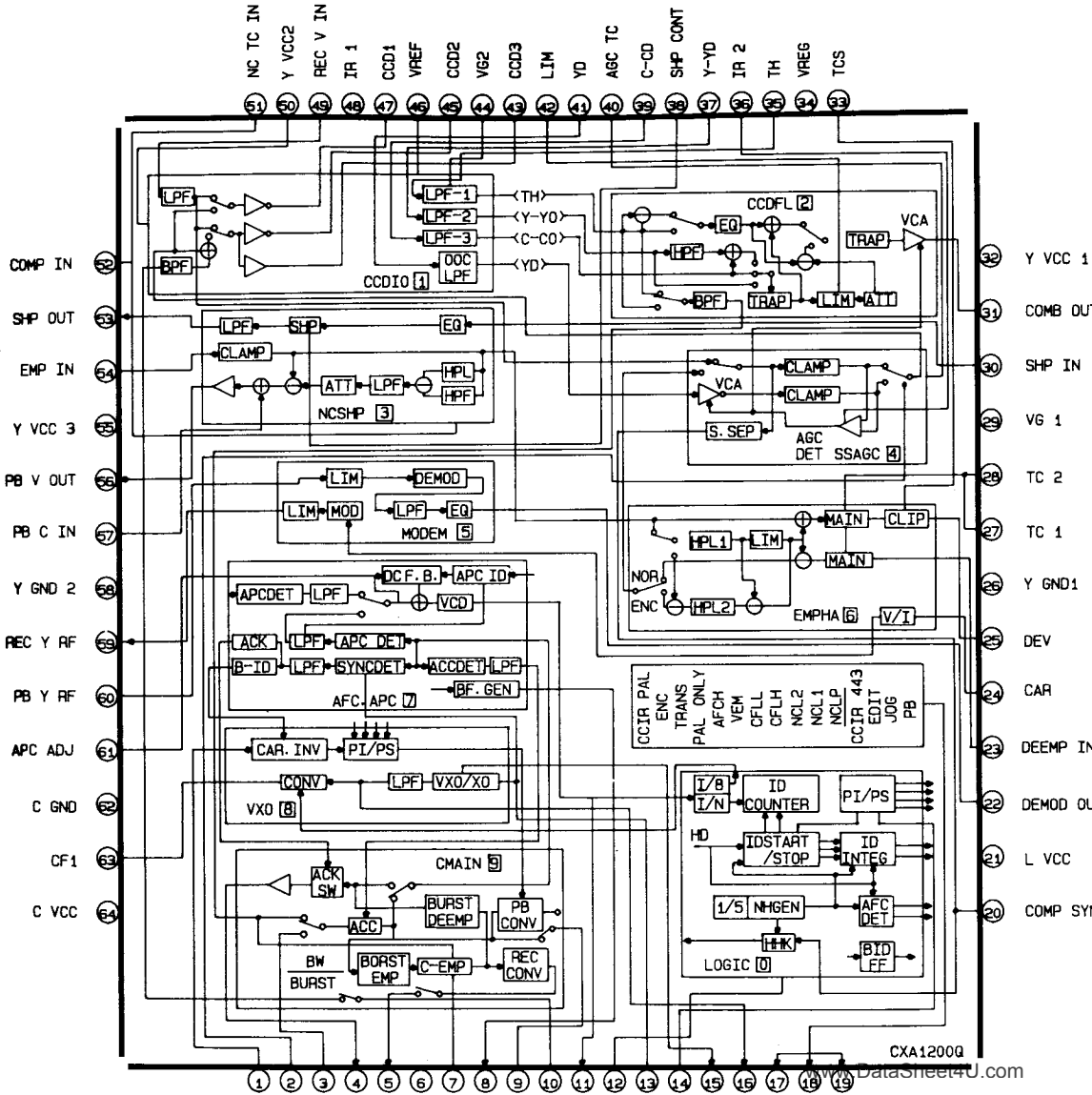


CXA1200Q



CXA1200Q

www.DataSheet4U.com

- CF2
- REC PULSE
- REC C RF IN
- PB C OUT
- REC C RF OUT
- FH/2 IN
- C EMPH
- BF OUT
- TRAP 1
- TRAP 2
- VCO OUT
- L GND
- X-TAL IN
- RF SWP
- X-TAL OUT
- FSC OUT
- CS
- CK
- SI