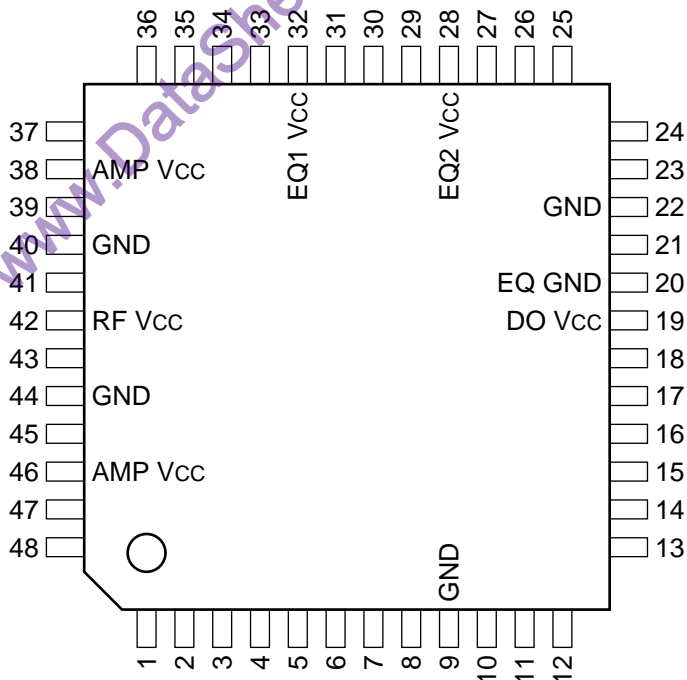


PB RF SIGNAL PROCESSOR FOR VTR

—TOP VIEW—



PIN NO.	I/O	SIGNAL	PIN NO.	I/O	SIGNAL	PIN NO.	I/O	SIGNAL	PIN NO.	I/O	SIGNAL
1	I	CHSW CONT	13	I	OFF SET1	25	I	EQ2(A)IN	37	O	AB RF OUT
2	I	OFF SET2	14	I	IN A	26	I	EQ2(MAIN)CNT	38	—	AMP Vcc
3	O	AOR OUT	15	I	EQSEL	27	I	EQ2(B)IN	39	I	RF(A)IN
4	I	ENV(E)	16	I	IN B	28	—	EQ2 Vcc	40	—	GND
5	I	ENV(A)	17	—	DCPL1	29	O	EQ1 OUT	41	I	RF(B)IN
6	O	TH OUT	18	O	DO EQ	30	I	EQ1 CONT	42	—	RF Vcc
7	I	TH CONT	19	—	DO Vcc	31	I	EQ1(B)IN	43	I	RF(C)IN
8	O	DO OUT	20	—	EQ GND	32	—	EQ1Vcc	44	—	GND
9	O	REF	21	O	EQ2(MAIN)OUT	33	I	EQ1(A)IN	45	I	RF(D)IN
10	I	ENV IN	22	—	GND	34	I	GAIN CNT	46	—	AMP Vcc
11	O	DET OUT2	23	O	EQ2(SUB)OUT	35	O	SWD RF	47	O	CD RF OUT
12	O	DET OUT1	24	I	EQ(SUB)CNT	36	I	RF LEVEL	48	I	MODE CONT