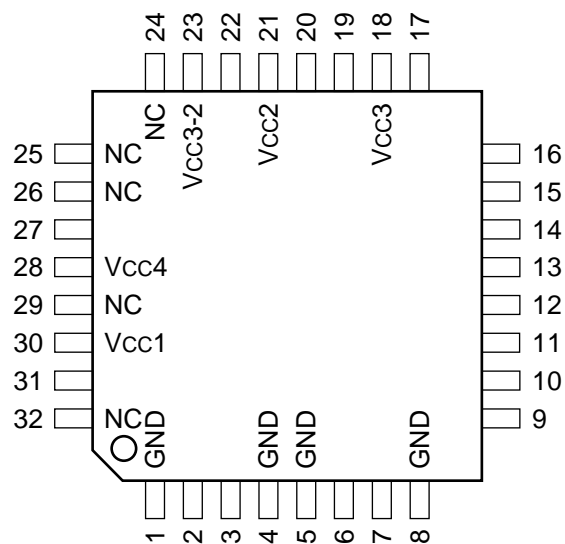


REC/PB AMPLIFIER

—TOP VIEW—



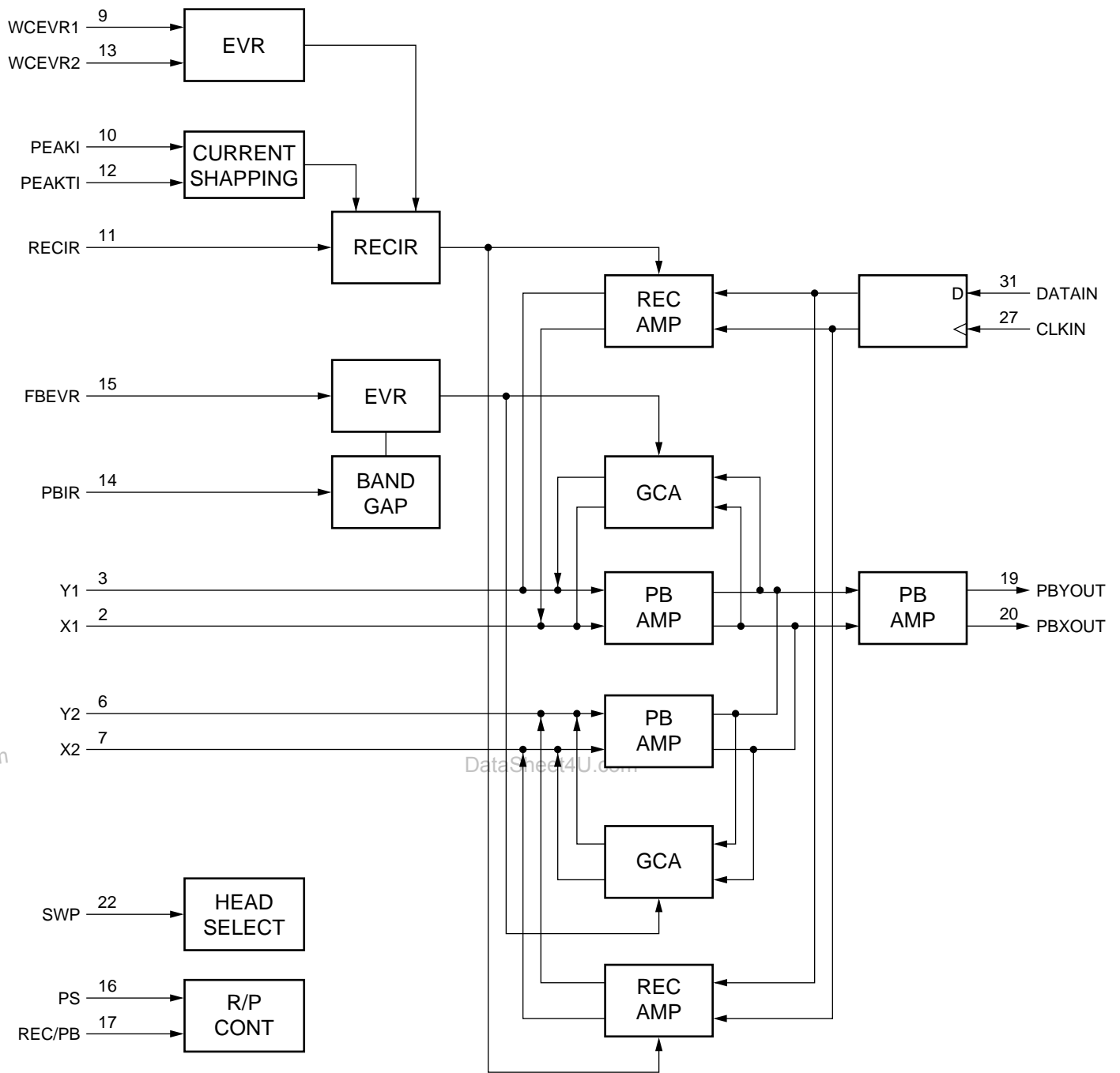
PIN NO.	I/O	SIGNAL	PIN NO.	I/O	SIGNAL	PIN NO.	I/O	SIGNAL	PIN NO.	I/O	SIGNAL
1	—	GND	9	I	WCEVR1	17	I	REC/PB	25	—	NC
2	I	X1	10	I	PEAKI	18	—	Vcc3	26	—	NC
3	I	Y1	11	I	RECIR	19	O	PBYOUT	27	I	CLKIN
4	—	GND	12	I	PEAKTI	20	O	PBXOUT	28	—	Vcc4
5	—	GND	13	I	WCEVR2	21	—	Vcc2	29	—	NC
6	I	Y2	14	I	PBIR	22	I	SWP	30	—	Vcc1
7	I	X2	15	I	FBEVR	23	—	Vcc3-2	31	I	DATAIN
8	—	GND	16	I	PS	24	—	NC	32	—	NC

INPUT

CLKIN : CLOCK
DATAIN : RECORDING DATA
FBEVR : HEAD RESONANCE CONTROL (IN PB)
PBIR : PB AMPLIFIER REFERENCE CURRENT SETTING
PEAKI, PEAKTI : PEAK CURRENT SETTING
PS : POWER SAVE SIGNAL
RECIR : REC REFERENCE CURRENT SETTING
REC/PB : REC/PB SIGNAL
SWP : SWITCHING PULSE
WCEVR1, WCEVR2 : REC CURRENT CONTROL
X1, X2 : PB X
Y1, Y2 : PB Y

OUTPUT

PBYOUT, PBXOUT : PB AMPLIFIER



et4U.com

DataSheet4U.com