

Timing Generator for Frame Readout CCD Image Sensor

Description

The CXD3619R is a timing generator IC which generates the timing pulses for performing frame readout using the ICX452 CCD image sensor.

Features

- Base oscillation frequency 48.6MHz
- Electronic shutter function
- Supports draft and AF mode
- Horizontal/Vertical driver for CCD image sensor

Applications

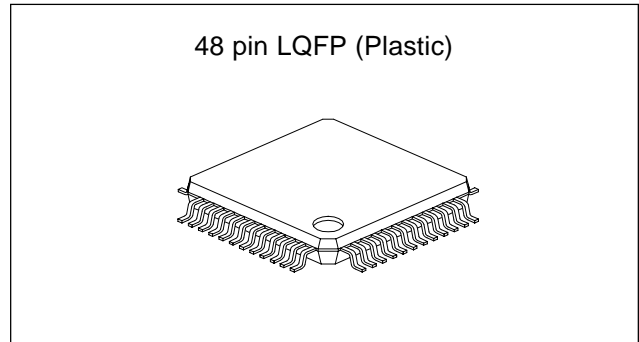
Digital still cameras

Structure

Silicon gate CMOS IC

Applicable CCD Image Sensors

ICX452 (Type 1/1.8, 5070K pixels)



Absolute Maximum Ratings

- Supply voltage

V _{DD}	V _{SS} - 0.3 to +7.0	V
V _L	-10.0 to V _{SS}	V
V _H	V _L - 0.3 to +26.0	V
- Input voltage

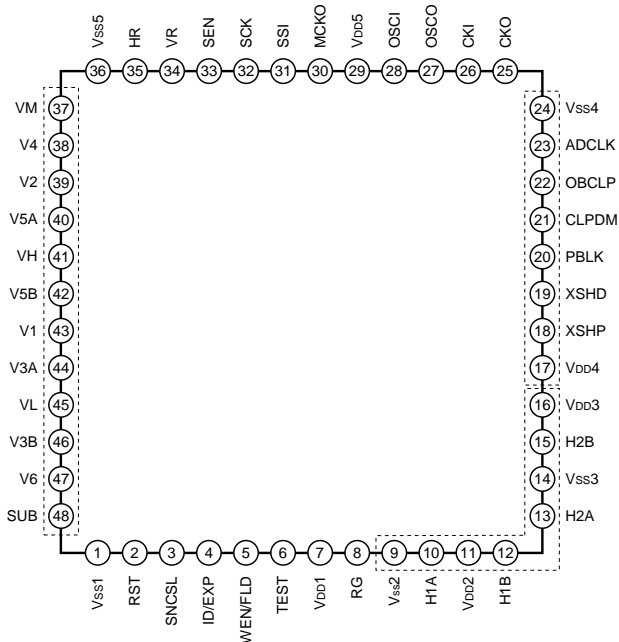
V _I	V _{SS} - 0.3 to V _{DD} + 0.3	V
----------------	--	---
- Output voltage

V _{O1}	V _{SS} - 0.3 to V _{DD} + 0.3	V
V _{O2}	V _L - 0.3 to V _{SS} + 0.3	V
V _{O3}	V _L - 0.3 to V _H + 0.3	V
- Operating temperature

T _{opr}	-20 to +75	°C
------------------	------------	----
- Storage temperature

T _{stg}	-55 to +150	°C
------------------	-------------	----

Pin Configuration



Recommended Operating Conditions

- Supply voltage

V _{DDA} , V _{DDb} , V _{DDc}	3.0 to 3.6	V
V _M	0.0	V
V _H	14.5 to 15.5	V
V _L	-7.0 to -8.0	V
- Operating temperature

T _{opr}	-20 to +75	°C
------------------	------------	----

* Groups of pins enclosed in the figure indicate sections for which power supply separation is possible.

Sony reserves the right to change products and specifications without prior notice. This information does not convey any license by any implication or otherwise under any patents or other right. Application circuits shown, if any, are typical examples illustrating the operation of the devices. Sony cannot assume responsibility for any problems arising out of the use of these circuits.

Block Diagram

