

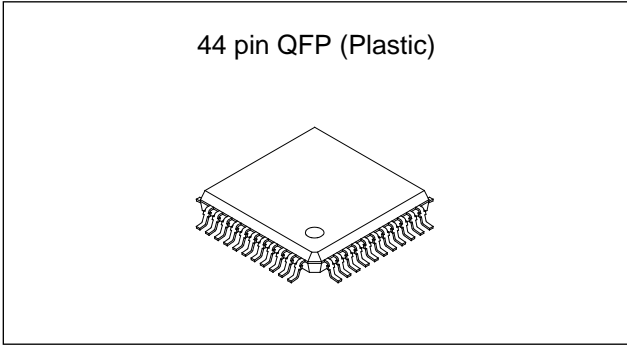
PLL for CCD Cameras

Description

The CXD8302Q has the functions needs to configure a PLL circuit with a timing generator and external sync signals for a CCD of 480K pixels (EIA, effective pixels) and 570K pixels (CCIR, effective pixels).

Features

- EIA and CCIR compatible
- Compatible with component digital and composite digital recording format
- Both SYNC and VD/HD signals can be used for external sync signals



Applications

CCD cameras

Absolute Maximum Ratings

- Supply voltage V_{DD} $V_{SS} - 0.3$ to $+7$ V
- Input voltage V_I $V_{SS} - 0.3$ to $V_{DD} + 0.3$ V
- Storage temperature T_{stg} -40 to $+125$ °C

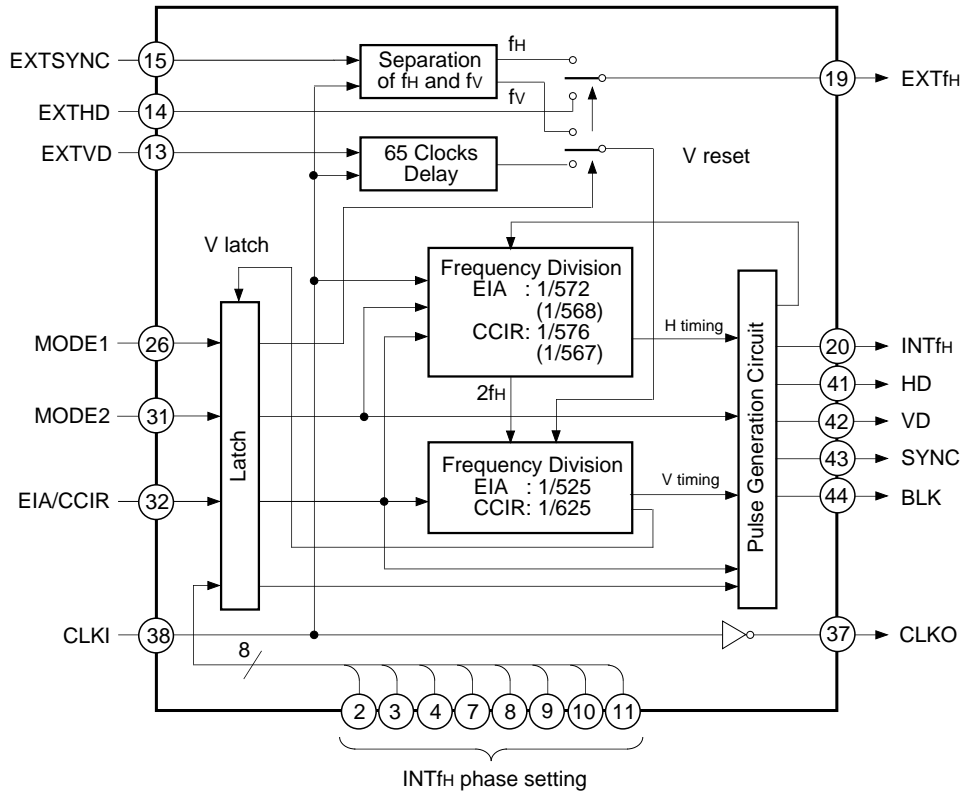
Structure

Silicon gate CMOS IC

Recommended Operating Conditions

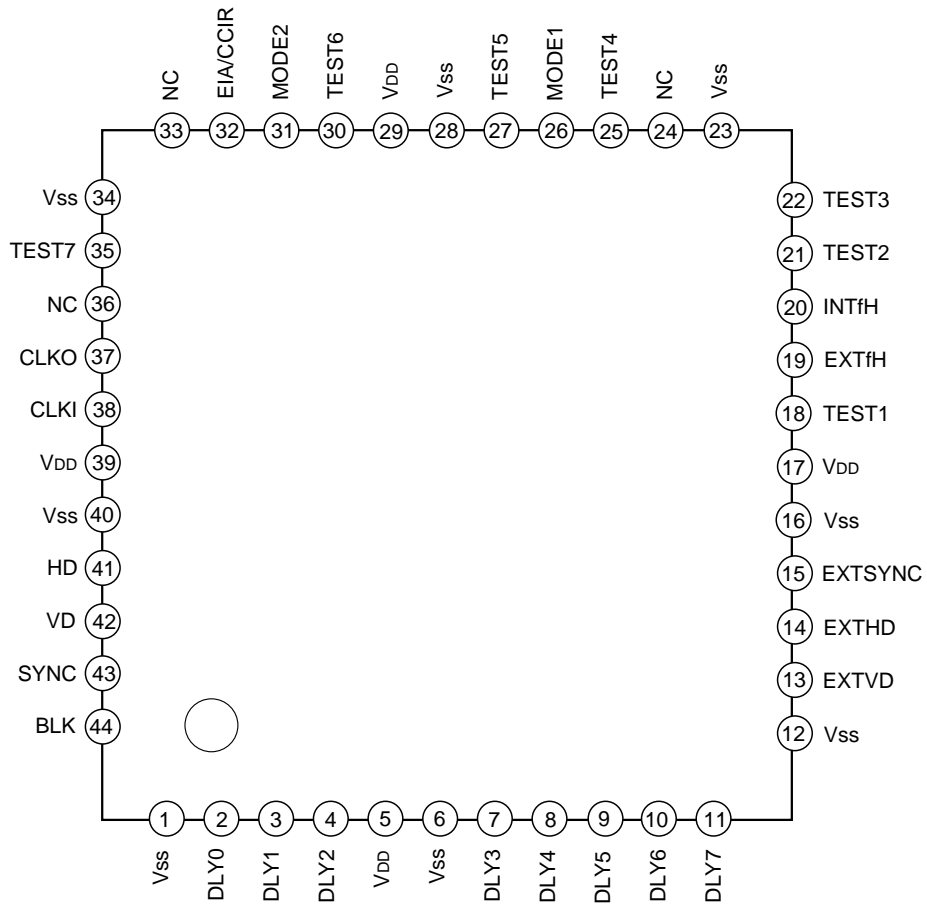
- Supply voltage V_{DD} 4.5 to 5.5 V
- Operating temperature T_{opr} 0 to 70 °C

Block Diagram



Sony reserves the right to change products and specifications without prior notice. This information does not convey any license by any implication or otherwise under any patents or other right. Application circuits shown, if any, are typical examples illustrating the operation of the devices. Sony cannot assume responsibility for any problems arising out of the use of these circuits.

Pin Configuration



Pin Description

Pin No.	Symbol	I/O	Description
1	V _{SS}	—	
2	DLY0	I	Pin 20 (INTf _H) phase setting. (With pull-up resistor)
3	DLY1	I	Pin 20 (INTf _H) phase setting. (With pull-up resistor)
4	DLY2	I	Pin 20 (INTf _H) phase setting. (With pull-up resistor)
5	V _{DD}	—	
6	V _{SS}	—	
7	DLY3	I	Pin 20 (INTf _H) phase setting. (With pull-up resistor)
8	DLY4	I	Pin 20 (INTf _H) phase setting. (With pull-up resistor)
9	DLY5	I	Pin 20 (INTf _H) phase setting. (With pull-up resistor)
10	DLY6	I	Pin 20 (INTf _H) phase setting. (With pull-up resistor)
11	DLY7	I	Pin 20 (INTf _H) phase setting (MSB). (With pull-up resistor)
12	V _{SS}	—	
13	EXTVD	I	External VD input. (With pull-up resistor)
14	EXTHD	I	External HD input. (With pull-up resistor)
15	EXTSYNC	I	External SYNC input. (With pull-up resistor)
16	V _{SS}	—	
17	V _{DD}	—	
18	TEST1	O	Test output (normally OPEN).
19	EXTf _H	O	External f _H output.
20	INTf _H	O	Internal f _H output.
21	TEST2	O	Test output (normally OPEN).
22	TEST3	O	Test output (normally OPEN).
23	V _{SS}	—	
24	NC	—	
25	TEST4	I	Test input (normally High). (With pull-up resistor)
26	MODE	I	High: SYNC sync mode, Low: VD/HD sync mode. (With pull-up resistor)
27	TEST5	I	Test input (normally Low). (With pull-down resistor)
28	V _{SS}	—	
29	V _{DD}	—	
30	TEST6	I	Test input (normally High). (With pull-up resistor)
31	MODE2	I	High: Component digital mode, Low: Composite digital mode. (With pull-up resistor)
32	EIA/CCIR	I	High: EIA mode, Low: CCIR mode. (With pull-up resistor)
33	NC	—	
34	V _{SS}	—	
35	TEST7	O	Test output (normally OPEN).
36	NC	—	
37	CLKO	O	Inversed output of CLKI.

Pin No.	Symbol	I/O	Description
38	CLKI	I	Clock input (from timing generator).
39	V _{DD}	—	
40	V _{SS}	—	
41	HD	O	Horizontal sync signal output.
42	VD	O	Vertical sync signal output.
43	SYNC	O	Sync signal output.
44	BLK	O	Blanking pulse output.

Electrical Characteristics

1) DC characteristics

(V_{DD} = 5V±0.25V, T_{opr} = 0 to 70°C, V_{SS} = 0V)

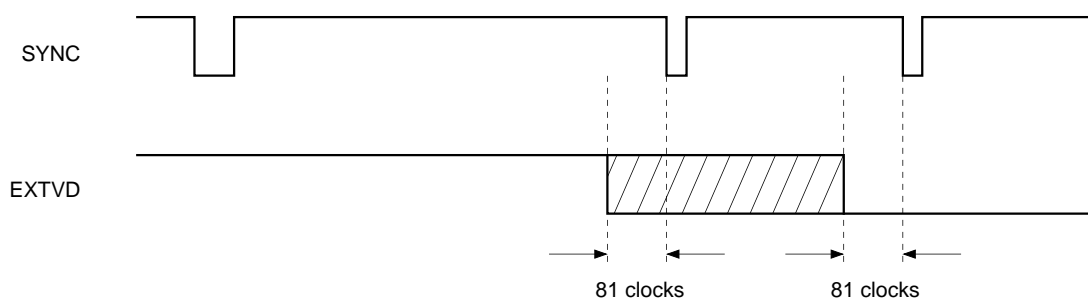
Item	Symbol	Conditions	Min.	Typ.	Max.	Unit
Input voltage	High	V _{IH}	0.7V _{DD}			V
	Low	V _{IL}			0.3V _{DD}	V
Input current 1 (Input pins other than those below)	I _{IN1}		-10	±1	10	µA
Input current 2 (Input pins with pull-up resistor)	I _{IN2}	V _i = V _{DD}	10	35	120	µA
Input current 3 (Input pins with pull-down resistor)	I _{IN3}	V _i = V _{SS}	-8	-30	-100	µA
Output voltage	High	V _{OH}	I _{OH} = -2mA	2.4	4.5	V
	Low	V _{OL}	I _{OL} = 4mA		0.2	0.4

2) AC characteristics

Vertical reset in VD/HD sync mode

The phase of EXTVD should be input as shown in the diagram below against the first equivalent pulse during vertical blanking period.

(Take care as the following conditions might not be satisfied depending on the phase setting of INT_{FH} if the phases are locked when the falling phase shifts a lot between EXT_{FH} and INT_{FH}.)



The EXTVD should fall at the timing shown with the slashes.

3) I/O pin capacitance ($V_{DD} = 5V \pm 0.25V$, $T_{opr} = 0$ to $70^{\circ}C$, $V_{SS} = 0V$)

Item	Symbol	Min.	Typ.	Max.	Unit
Input pin capacitance	C_{IN}		2.0		pF
Output pin capacitance	C_{OUT}		4.0		pF

Description of Operation

1) Operation overview

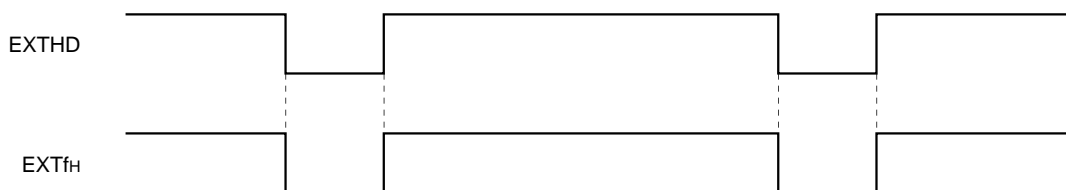
- Functions as sync signal generator
Each of f_H ($INTf_H$), VD, HD, SYNC, and BLK pulses is generated from clocks input by the timing generator. These pulses are generated by free running if external sync signals are not input.
- External synchronization function (PLL)
When the SYNC (EXTSYNC) or VD/HD (EXTVD/EXTHD) external sync signal is input, the vertical reset is compulsorily triggered on each of the f_H ($INTf_H$), VD, HD, SYNC, and BLK pulses, and f_H ($EXTf_H$) is simultaneously generated according to the external sync signal. Phase comparison is done externally between $INTf_H$ and $EXTf_H$ and a PLL circuit is configured, then the timing generator is synchronized with an external sync signal.

2) Mode setting

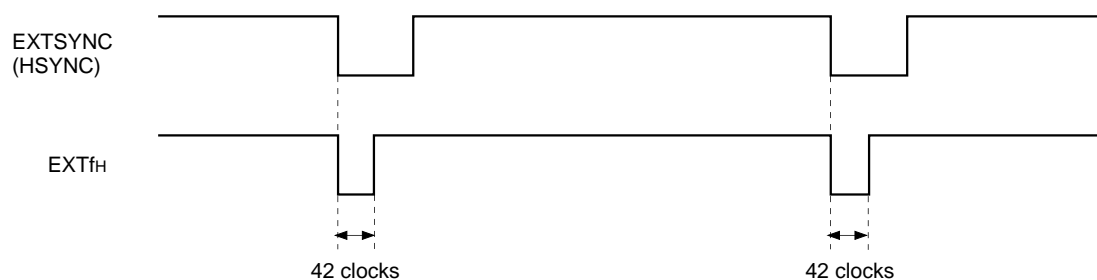
Symbol	Pin No.	L	H
EIA/CCIR	32	CCIR	EIA
MODE1	26	VD/HD sync mode: EXTVD/EXTHD is used as the external sync signal, and the EXTHD signal becomes $EXTf_H$.	SYNC sync mode: EXTSYNC is used as the external sync signal, and the $EXTf_H$ is obtained by separating it from EXTSYNC
MODE2	31	Composite digital mode; Clock frequency input by timing generator EIA 17.897725MHz ($1137.5f_H = 5f_{sc}$) CCIR 17.734475MHz ($1135 + 4/625f_H = 4f_{sc}$)	Component digital mode: Clock frequency input by timing generator EIA 18MHz (1144 f_H) CCIR 18MHz (1152 f_H)

The phase relationship between external sync and $EXTf_H$ in each sync mode is shown below.

- VD/HD sync mode
The rise and fall timings of EXTHD signal are directly reflected on $EXTf_H$.



- SYNC synchronous mode
The fall timing of EXTSYNC is the fall timing $EXTf_H$, but the rise timing of $EXTf_H$ is generated by counting the number of clocks input by the timing generator. Therefore, make sure to compare phases of fall timing of between $EXTf_H$ and $INTf_H$ for PLL configuration in the SYNC synchronous mode.

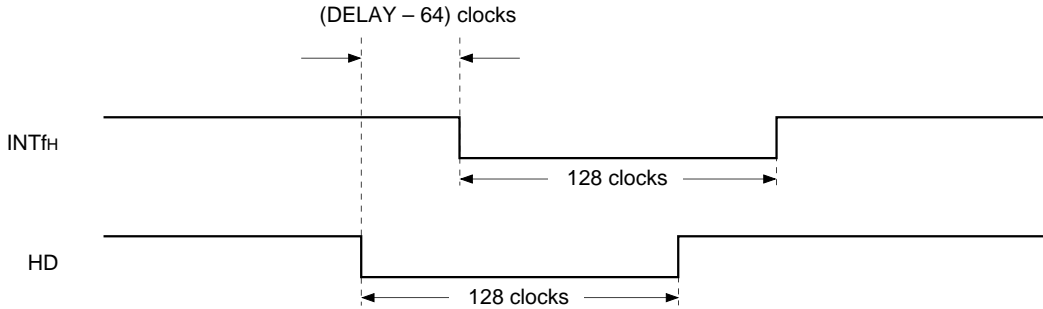


3) INTfH phase setting

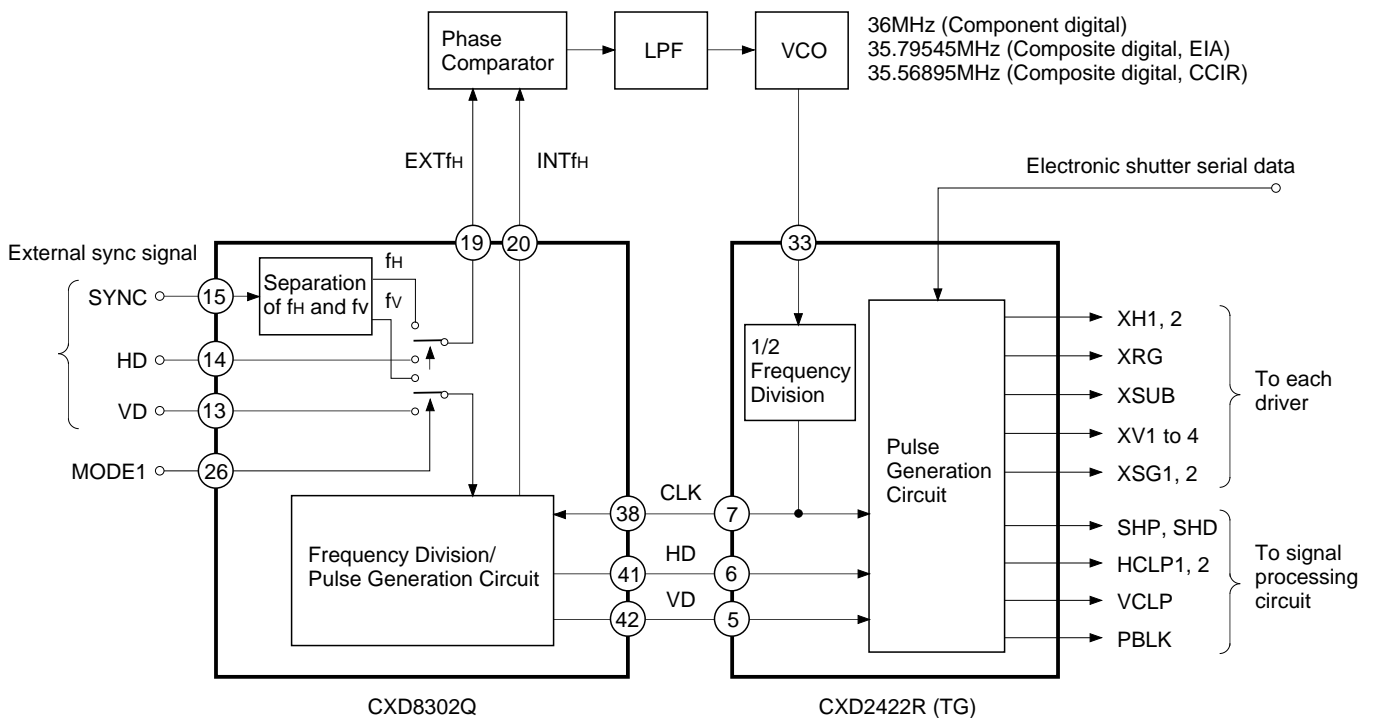
In either VD/HD or SYNC sync mode, the INTfH phase should be adjusted in line with the phase variance of EXTfH, which forms the reference for phase comparison. The INTfH phase may be adjusted against VD, HD, SYNC and BLK pulses using DLY0 to DLY7, respectively. (The state of INTfH and EXTfH phases fixed by PLL leads to phase adjustment of VD, HD, SYNC, and BLK pulse against the external sync signal.)

The INTfH is set to the phase being delayed (DELAY-64) clocks from that of HD.

DELAY = 0 to 255: to be set in 8-bit binary with DLY7 as MSB. High: 1, low: 0.

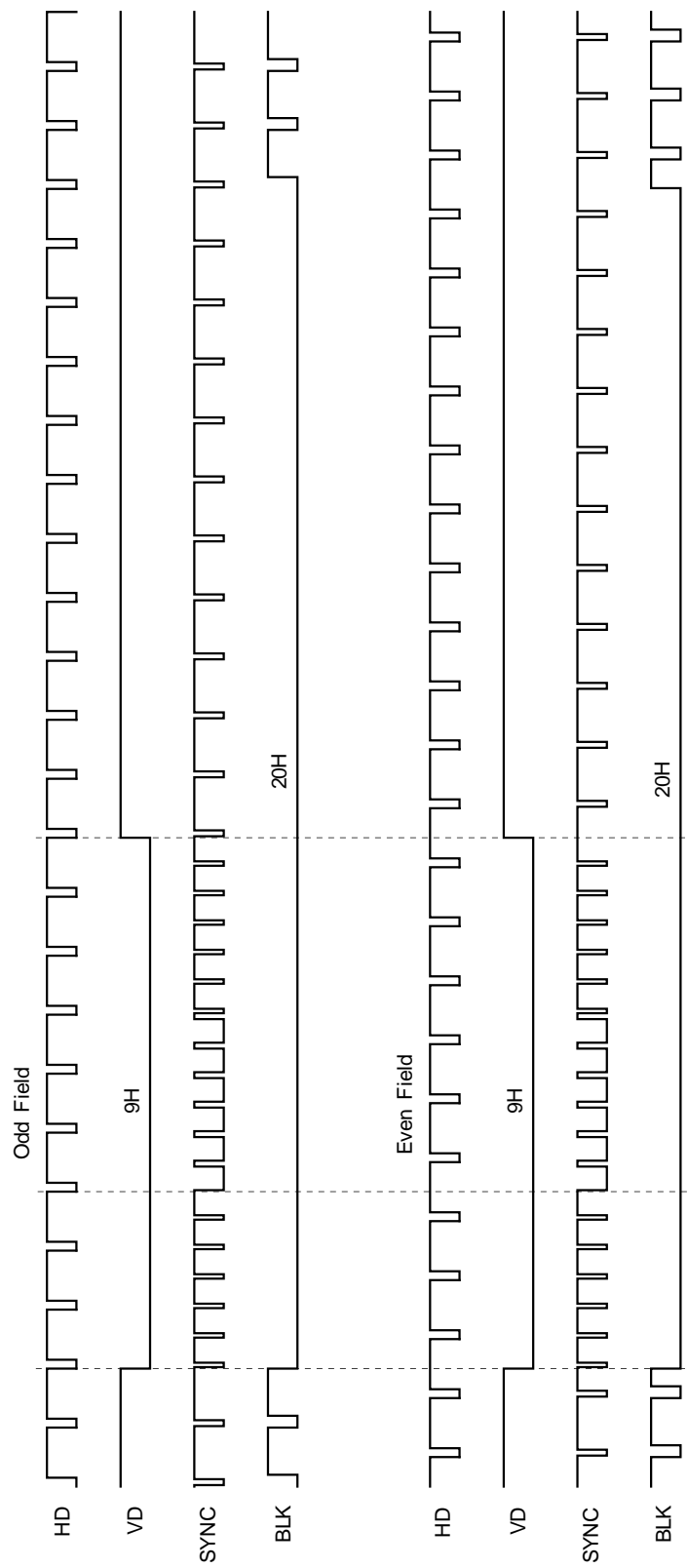


Example of System Configuration

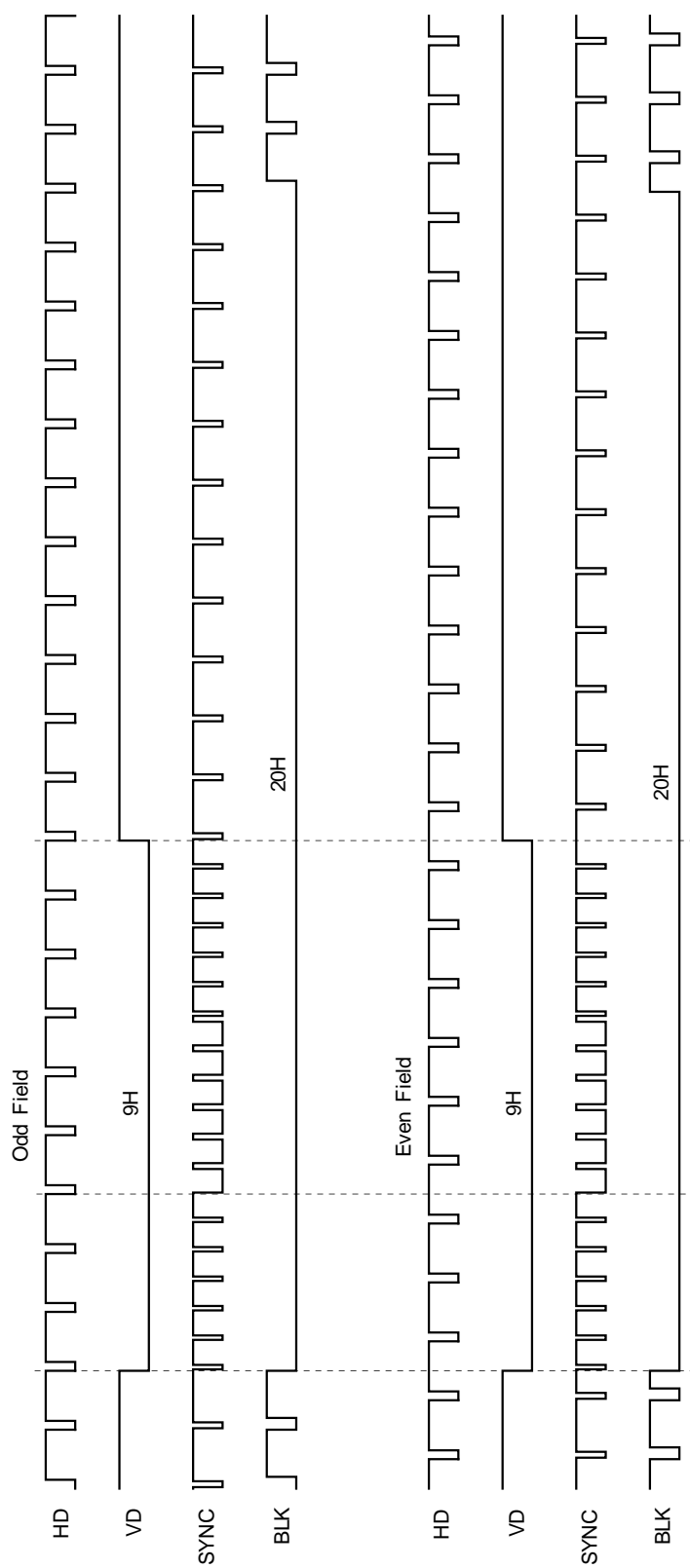


- Note)**
1. Either SYNC or VD/HD is used as the external sync signal. When SYNC is used (SYNC synchronous mode), fix MODE1 to High; when VD/HD is used (VD/HD synchronous mode), fix MODE1 to Low.
 2. Be sure to do phase comparison of the falling edge of EXTfH and INTfH for SYNC synchronous mode.

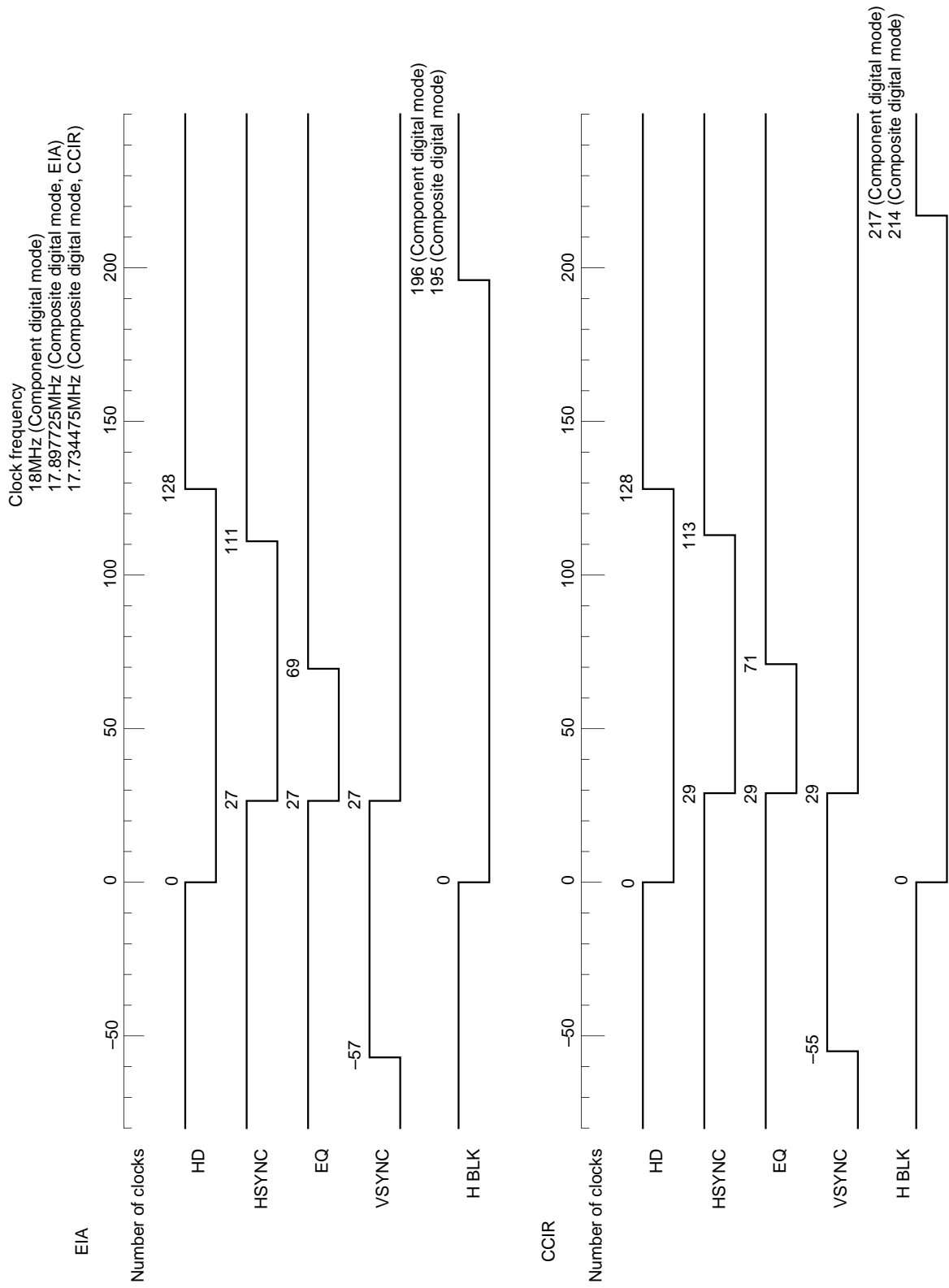
Timing Chart (1) EIA vertical direction



Timing Chart (1) EIA vertical direction



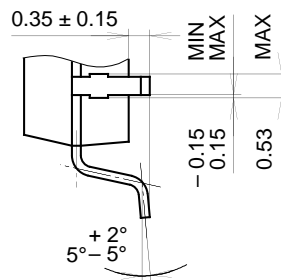
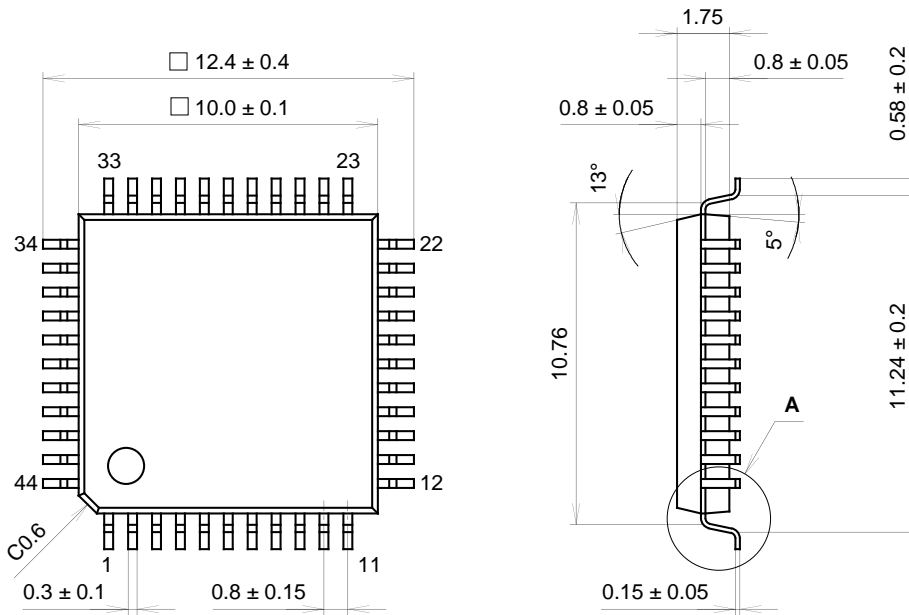
Timing Chart (2) CCIR vertical direction



Package Outline

Unit: mm

44PIN QFP (PLASTIC)



DETAIL A

PACKAGE STRUCTURE

SONY CODE	QFP-44P-L221
EIAJ CODE	*QFP044-P-1010-B
JEDEC CODE	_____

PACKAGE MATERIAL	EPOXY RESIN
LEAD TREATMENT	SOLDER PLATING
LEAD MATERIAL	42 ALLOY
PACKAGE WEIGHT	0.4g