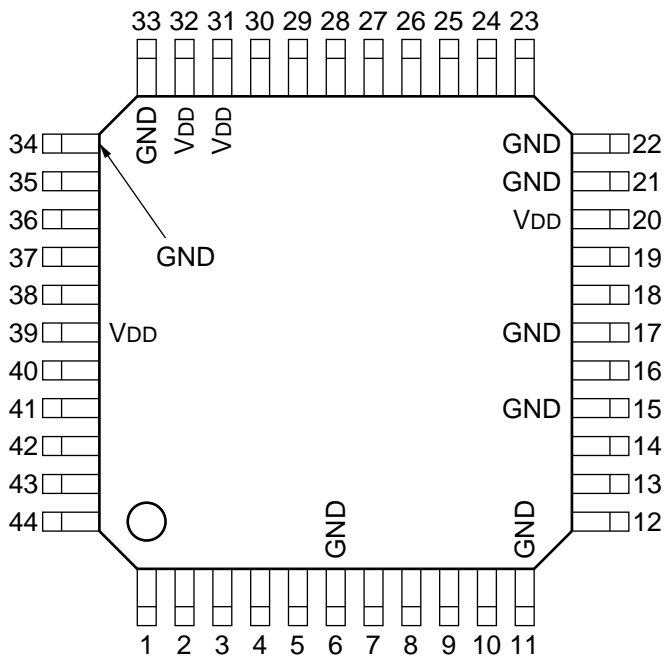
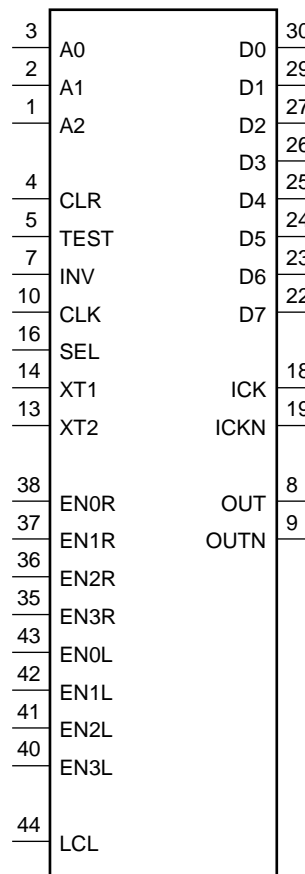


C-MOS COUNTER FOR A/D CONVERTER

—TOP VIEW—



PIN No.	I/O	SIGNAL	PIN No.	I/O	SIGNAL
1	I	A2	23	O	D7
2	I	A1	24	O	D6
3	I	A0	25	O	D5
4	I	CLR	26	O	D4
5	I	TEST	27	O	D3
6	—	GND	28	O	D2
7	I	INV	29	O	D1
8	O	OUT	30	O	D0
9	O	OUTN	31	—	VDD
10	I	CLK	32	—	VDD
11	—	GND	33	—	GND
12	—	DDD	34	—	GND
13	I/O	XT2	35	I	EN3R
14	I/O	XT1	36	I	EN2R
15	—	GND	37	I	EN1R
16	I	SEL	38	I	EN0R
17	—	GND	39	—	VDD
18	O	ICK	40	I	EN3L
19	O	ICKN	41	I	EN2L
20	—	VDD	42	I	EN1L
21	—	GND	43	I	EN0L
22	—	GND	44	I	LCL

**INPUT**

A0 - A3 ; COUNTER CONTROL
 CLK ; CLOCK
 CLR ; COUNTER CLEAR
 EN0L - EN3L ; COUNTER ENABLE (LOCAL)
 EN0R - EN3R ; COUNTER ENABLE (REMOTE)
 INV ; BUFFER
 LCL ; LOCAL/REMOTE
 SEL ; CLOCK SELECT "H" : XTAL "L" : CLK
 TEST ; IC TEST PIN

OUTPUT

D0 - D7 ; COUNTER DATA
 ICK ; CLOCK (+)
 ICKN ; CLOCK (-)
 OUT ; BUFFER (+)
 OUTN ; BUFFER (-)

INPUT/OUTPUT

XT1, XT2 ; CLOCK INPUT/CRYSTAL CONNECTION