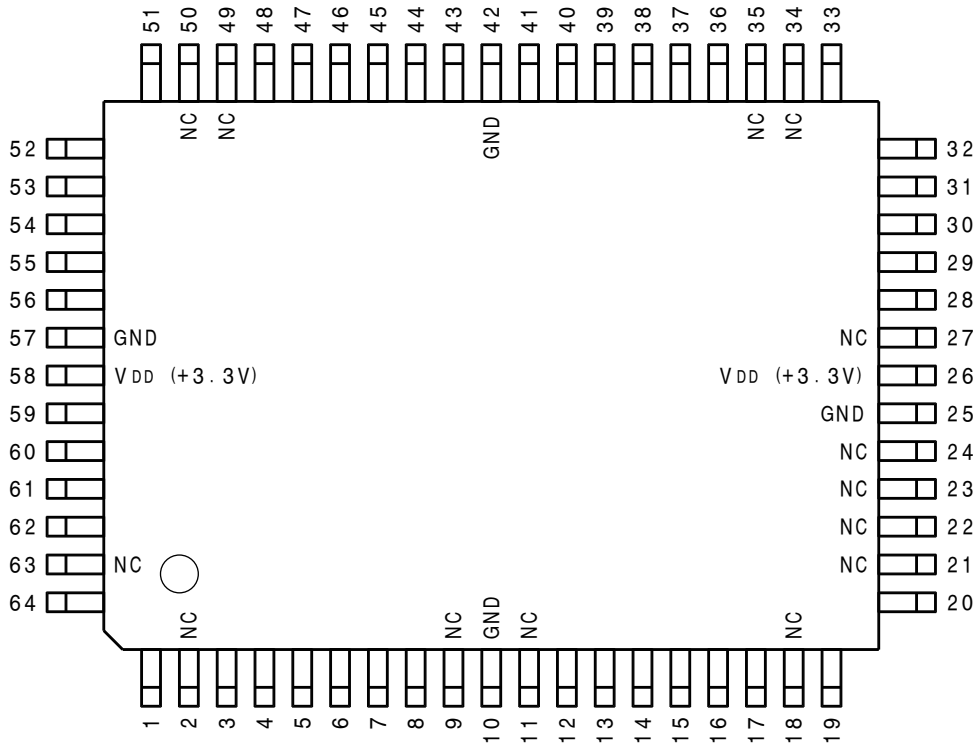
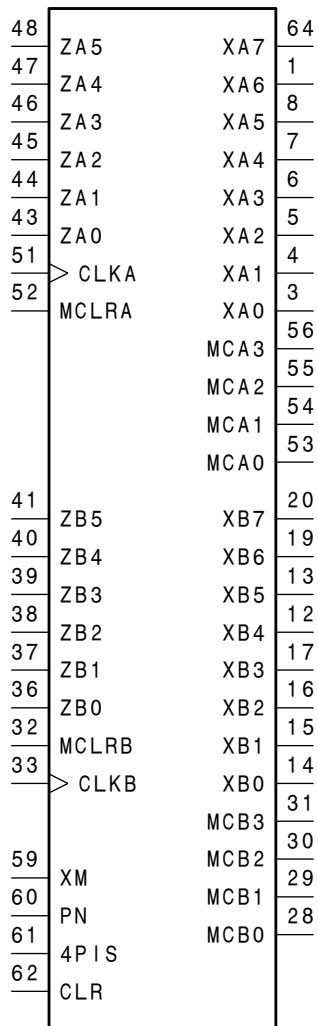

C-MOS VITERBI DECODER
-TOP VIEW-



PIN No.	I/O	SIGNAL	PIN No.	I/O	SIGNAL	PIN No.	I/O	SIGNAL	PIN No.	I/O	SIGNAL
1	OUT	XA6	17	OUT	XB3	33	IN	CLKB	49	-	NC
2	-	NC	18	-	NC	34	-	NC	50	-	NC
3	OUT	XA0	19	OUT	XB6	35	-	NC	51	IN	CLKA
4	OUT	XA1	20	OUT	XB7	36	IN	ZB0	52	IN	MCLRA
5	OUT	XA2	21	-	NC	37	IN	ZB1	53	OUT	MCA0
6	OUT	XA3	22	-	NC	38	IN	ZB2	54	OUT	MCA1
7	OUT	XA4	23	-	NC	39	IN	ZB3	55	OUT	MCA2
8	OUT	XA5	24	-	NC	40	IN	ZB4	56	OUT	MCA3
9	-	NC	25	-	GND	41	IN	ZB5	57	-	GND
10	-	GND	26	-	V _{DD}	42	-	GND	58	-	V _{DD}
11	-	NC	27	-	NC	43	IN	ZA0	59	IN	XM
12	OUT	XB4	28	OUT	MCB0	44	IN	ZA1	60	IN	PN
13	OUT	XB5	29	OUT	MCB1	45	IN	ZA2	61	IN	4P1S
14	OUT	XB0	30	OUT	MCB2	46	IN	ZA3	62	IN	CLR
15	OUT	XB1	31	OUT	MCB3	47	IN	ZA4	63	-	NC
16	OUT	XB2	32	IN	MCLRB	48	IN	ZA5	64	OUT	XA7

CXD8815Q(2/3)

CHANNEL A

CLKA ;CLOCK OF CHANNEL A

MCA0-3 ;4 BIT METRIC COUNTER OF CHANNEL A

MCLRA ;METRIC COUNTER CLEAR OF CHANNEL A

XA0-7 ;8 BIT CHANNEL A OUT

ZA0-5 ;6 BIT CHANNEL A IN

CHANNEL B

CLKB ;CLOCK OF CHANNEL B

MCB0-3 ;4 BIT METRIC COUNTER OF CHANNEL B

MCLRB ;METRIC COUNTER CLEAR OF CHANNEL B

XB0-7 ;8 BIT CHANNEL B OUT

ZB0-5 ;6 BIT CHANNEL B IN

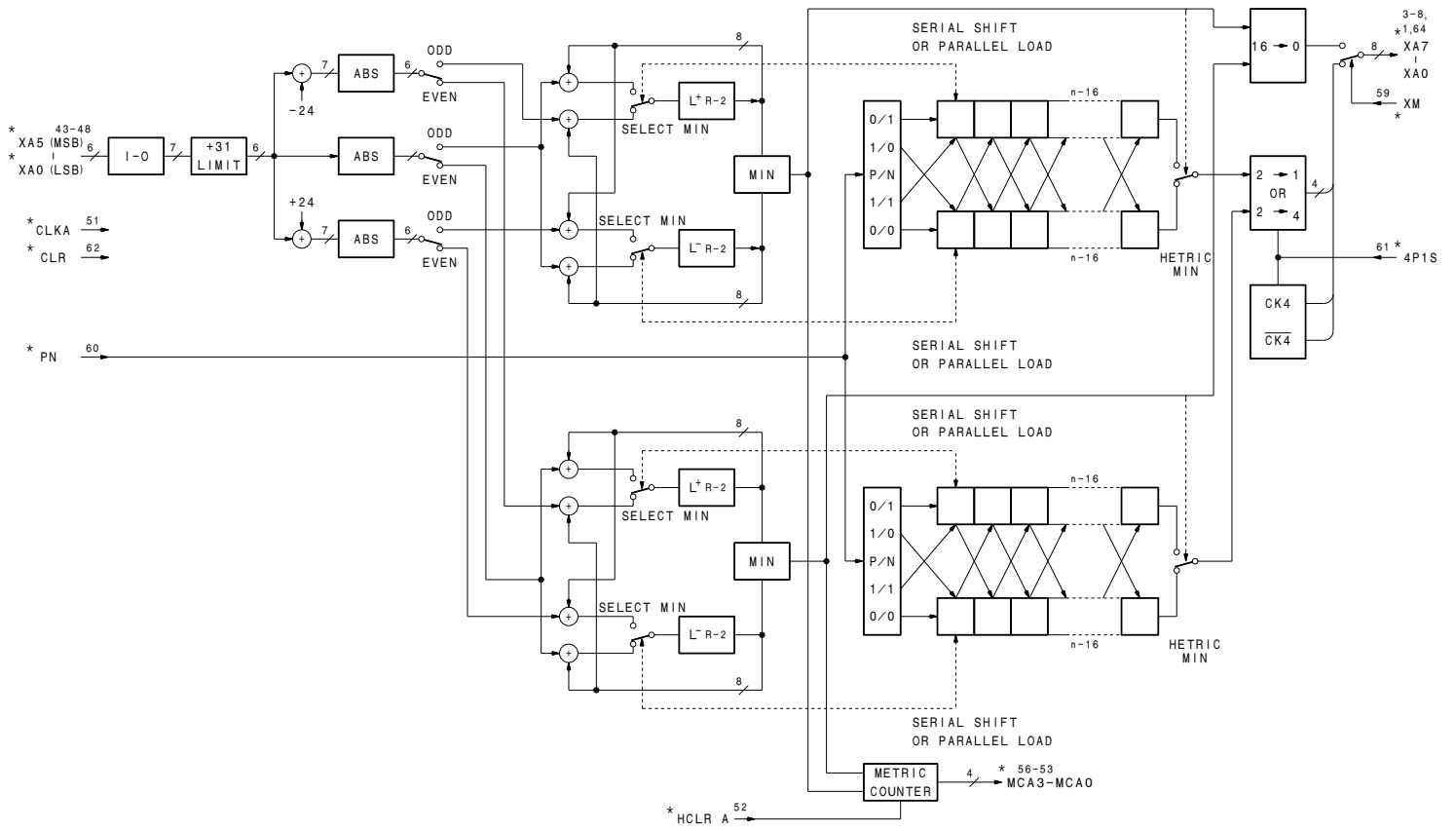
OTHERS

CLR ;ALL CLEAR

PN ;SELECTOR OF PR (1, 0, -1) & NRZ

XM ;SELECTOR OF DECODE & METRIC OUT

4PIS ;SELECTOR OF 4 PARALLEL & SERIAL DATA



*:B channel BLOCK is the same as A channel BLOCK