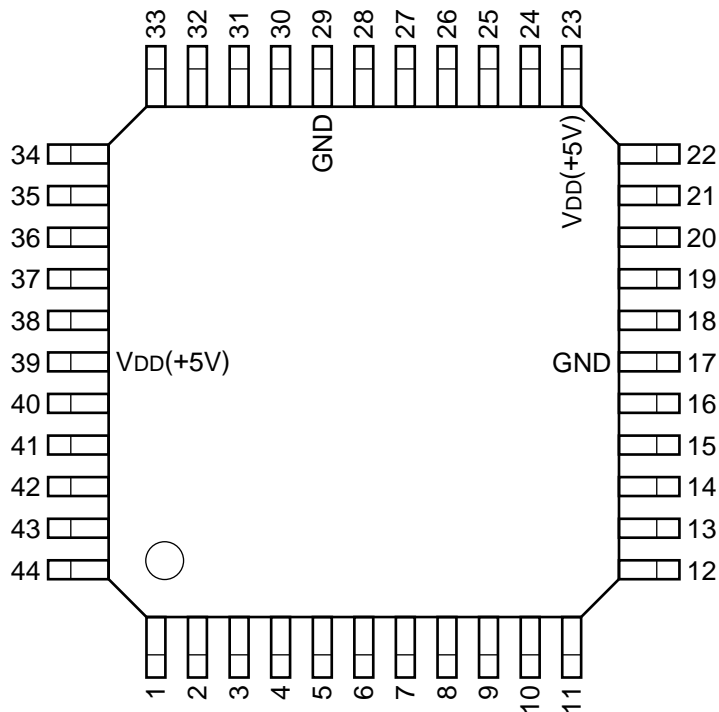
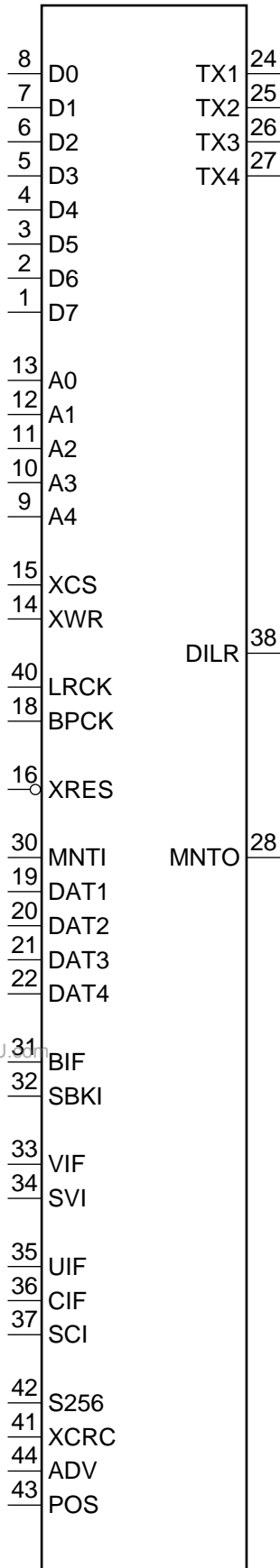

C-MOS DIGITAL MIXER(APX-EL/APX-288/APX-R3)
 -TOP VIEW-



(VDD=+5V)

PIN NO.	I/O	SIGNAL	PIN NO.	I/O	SIGNAL	PIN NO.	I/O	SIGNAL	PIN NO.	I/O	SIGNAL
1	I	D7	12	I	A1	23	-	VDD	34	I	SVI
2	I	D6	13	I	A0	24	I/O	TX1	35	I	UIF
3	I	D5	14	I	XWR	25	I/O	TX2	36	I/O	CIF
4	I	D4	15	I	XCS	26	I/O	TX3	37	I	SCI
5	I	D3	16	I	XRES	27	I/O	TX4	38	O	DILR
6	I	D2	17	-	GND	28	O	MNTO	39	-	VDD
7	I	D1	18	I	BPCK	29	-	GND	40	I	LRCK
8	I	D0	19	I	DAT1	30	I	MNTI	41	I	XCRC
9	I	A4	20	I	DAT2	31	I/O	BIF	42	I	S256
10	I	A3	21	I	DAT3	32	I	SBKI	43	I	POS
11	I	A2	22	I	DAT4	33	I/O	VIF	44	I	ADV



- D0~D9 : DATA INPUTS
- A0~A4 : ADDRESS INPUTS
- XCS : CHIP SELECT(LOW ACTIVE)
- XWR : WRITE(LOW ACTIVE)
- LRCK : LR CLOCK(HIGH START)
- BPCK : 128fs(or 256 fs) CLOCK
- XRES : NEGATIVE PULSE INPUT FOR THE
INITIALIZATION
- MNTI : MONITOR SELECTOR CASCADE INPUT
- DAT1~DAT4 : AUDIO DATA CH.1~CH.4
- BIF : BLOCK ID INTERFACE
(0:FRAME1~FRAME191 1:FRAME0)
- SBKI : BLOCK ID SELECT
(0:INTERNAL 1:EXTERNAL)
- VIF : V BIT SERIAL INTERFACE
- SVI : V BIT SELECT
(0:INTERNAL 1: EXTERNAL)
- UIF : U BIT SERIAL-IN INTERFACE
- CIF : C BIT SERIAL INTERFACE
- SCI : C BIT SELECT
(0: INTERNAL 1:EXTERNAL)
- S256 : BPCK FREQUENCY SELECT
(0:128fs 1:256fs)
- XCRC : CRC GENERATOR
(0:ACTIVE 1:STOP)
- ADV : AES/EBU OUTPUT PHASE SELECT
(0:NORMAL 1:ADVANCED)
- POS : AES/EBU OUTPUT POLARITY SELECT
(0:NEG 1:POS)
- TX1~TX4 : AES/EBU DIGITAL AUDIO OUTPUT
CH.1~CH.4
- DILR : LR CLOCK OUTPUT
- MNTO : MONITOR SELECTOR