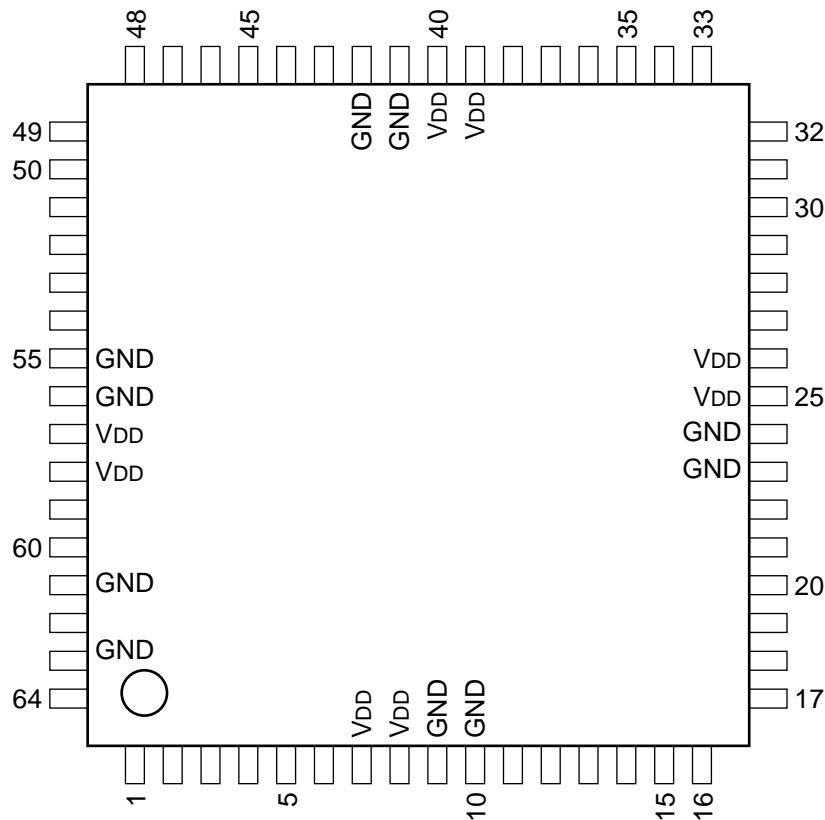


## C-MOS GATE ARRAY

—TOP VIEW—



PIN NO.	I/O	SIGNAL	PIN NO.	I/O	SIGNAL	PIN NO.	I/O	SIGNAL	PIN NO.	I/O	SIGNAL
1	O	XPLLH	17	I	XTRIG	33	I	SIBLK	49	I	CLPGATE
2	I	PPLL	18	I	VSTBY	34	O	WDISPLAY	50	O	CLP1
3	I	PREF	19	I	CS	35	O	VWINDOW	51	O	CLP2
4	O	EXTH	20	I	SI	36	O	HWINDOW	52	O	CLP3
5	I	RSTIN	21	I	SCK	37	O	VD	53	O	OBPCLP
6	I	EXTSYNC	22	I	STB	38	O	HD	54	O	PBLK
7	—	VDD	23	—	GND	39	—	VDD	55	—	GND
8	—	VDD	24	—	GND	40	—	VDD	56	—	GND
9	—	GND	25	—	VDD	41	—	GND	57	—	VDD
10	—	GND	26	—	VDD	42	—	GND	58	—	VDD
11	I	EXTHD	27	O	EXTMODE	43	O	FLD	59	O	SYSCLK
12	I	EXTVD	28	O	HVMODE	44	O	VBLK	60	O	CKQ
13	O	HR	29	I	TEST0	45	O	CMPBLK	61	—	GND
14	I	HRI	30	I	TEST1	46	O	HBLK	62	I	CKIN
15	O	VR	31	I	TEST2	47	O	SYNC1	63	—	GND
16	I	VRI	32	I	SBKRVS	48	O	SYNC2	64	O	PCO