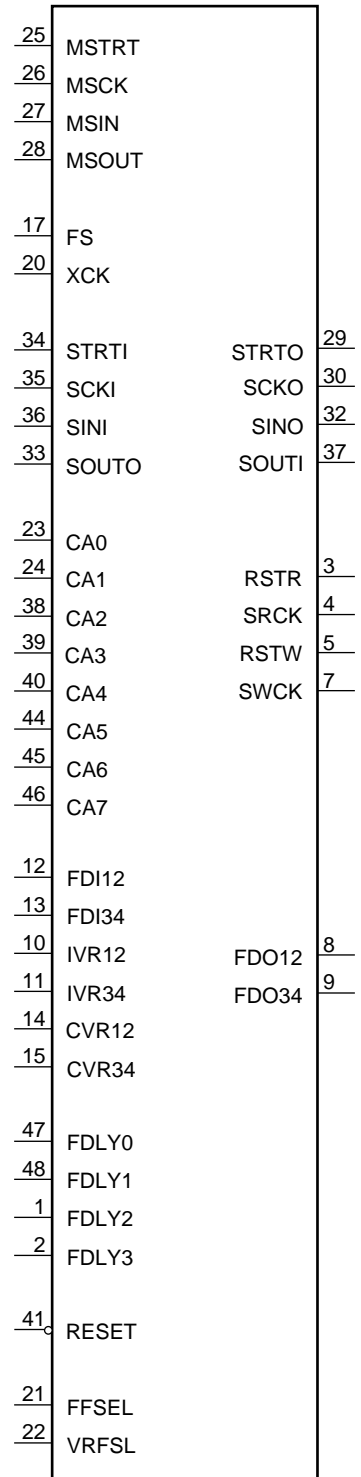
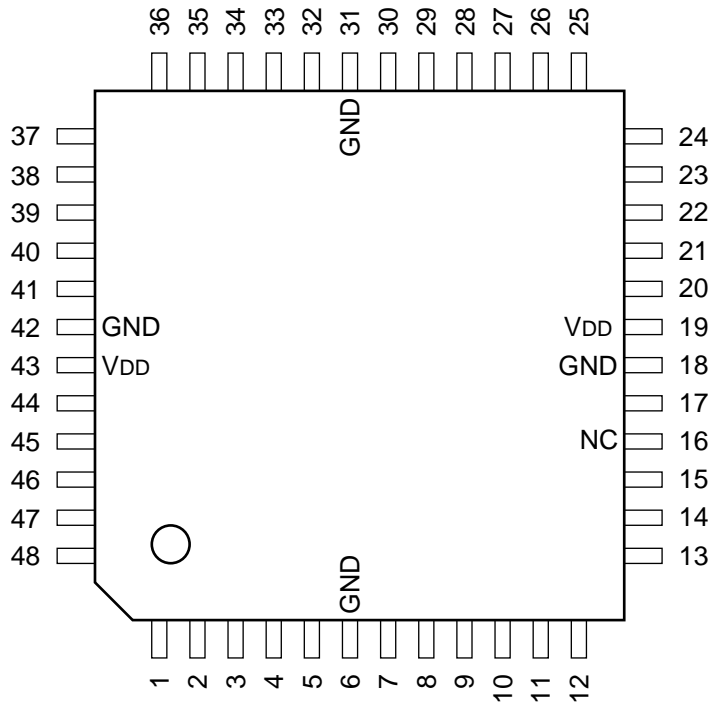


C-MOS AUXILIARY IC FOR AUDIO PROCESSOR
 —TOP VIEW—



PIN No.	I/O	SIGNAL	PIN No.	I/O	SIGNAL
1	I	FDLY2	25	I	MSTRT
2	I	FDLY3	26	I	MSCK
3	O	RSTR	27	I	MSIN
4	O	SRCK	28	I	MSOUT
5	O	RSTW	29	O	STRTO
6	—	GND	30	O	SCKO
7	O	SWCK	31	—	GND
8	O	FDO12	32	O	SINO
9	O	FDO34	33	O	SOUTO
10	I	IVR12	34	I	STRTI
11	I	IVR34	35	I	SCKI
12	I	FDI12	36	I	SINI
13	I	FDI34	37	I	SOUTI
14	I	CVR12	38	I	CA2
15	I	CVR34	39	I	CA3
16	—	NC	40	I	CA4
17	I	FS	41	I	RESET
18	—	GND	42	—	GND
19	—	VDD	43	—	VDD
20	I	XCK	44	I	CA5
21	I	FFSEL	45	I	CA6
22	I	VRFSL	46	I	CA7
23	I	CA0	47	I	FDLY0
24	I	CA1	48	I	FDLY1

CXD8859AQ(2/2)

