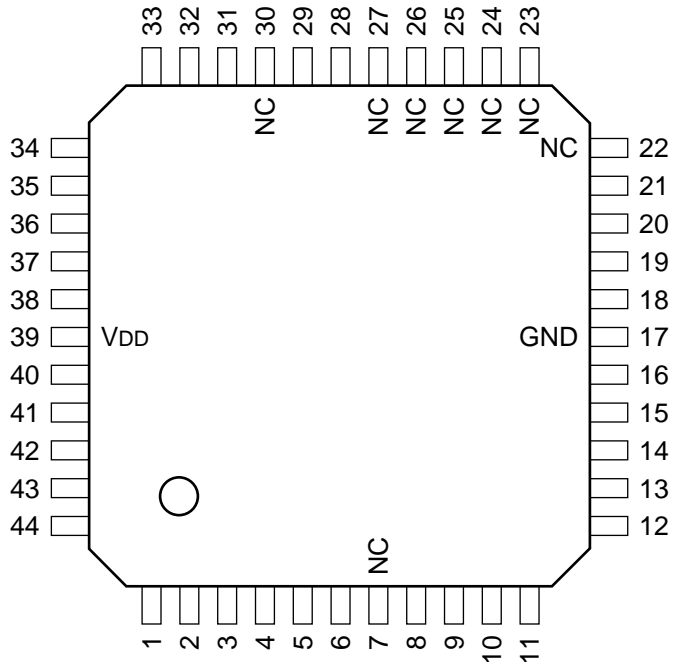


C-MOS PARALLEL TO SERIAL CONVERTER
 —TOP VIEW—



PIN NO.	I/O	SIGNAL	PIN NO.	I/O	SIGNAL	PIN NO.	I/O	SIGNAL	PIN NO.	I/O	SIGNAL
1	I	CS	12	O	SOCK	23	—	NC	34	I/O	D4
2	I	IOW	13	O	SDA0	24	—	NC	35	I/O	D3
3	I	RD	14	O	LD0	25	—	NC	36	I/O	D2
4	O	CK	15	O	SDA1	26	—	NC	37	I/O	D1
5	I	SCKI	16	O	LD1	27	—	NC	38	I/O	D0
6	O	SCKO	17	—	GND	28	I	TIN	39	—	VDD
7	—	NC	18	O	SDA2	29	I	TE	40	I	RST
8	O	TOUT0	19	O	LD2	30	—	NC	41	I	A3
9	O	TOUT1	20	O	SDA3	31	I/O	D7	42	I	A2
10	O	TOUT2	21	O	LD3	32	I/O	D6	43	I	A1
11	O	TOUT3	22	—	NC	33	I/O	D5	44	I	A0

CXD8892Q (2/2)**INPUT**

A0 - A3 : ADDRESS
 $\overline{\text{CS}}$: CHIP SELECT
 $\overline{\text{IOW}}$: I/O WRITE
 $\overline{\text{RD}}$: I/O READ
 $\overline{\text{RST}}$: RESET
SCKI : SERIAL CLOCK
 $\overline{\text{TE}}$: TEST ENABLE
TIN : TEST

OUTPUT

CK : CLOCK
LD0 - LD3 : LOAD PULSE
SCKO : SERIAL CLOCK
SDA0 - SDA3 : SERIAL DATA
SOCK : SERIAL OUTPUT CLOCK
TOUT0 - TOUT3 : TEST

INPUT/OUTPUT

D0 - D7 : DATA