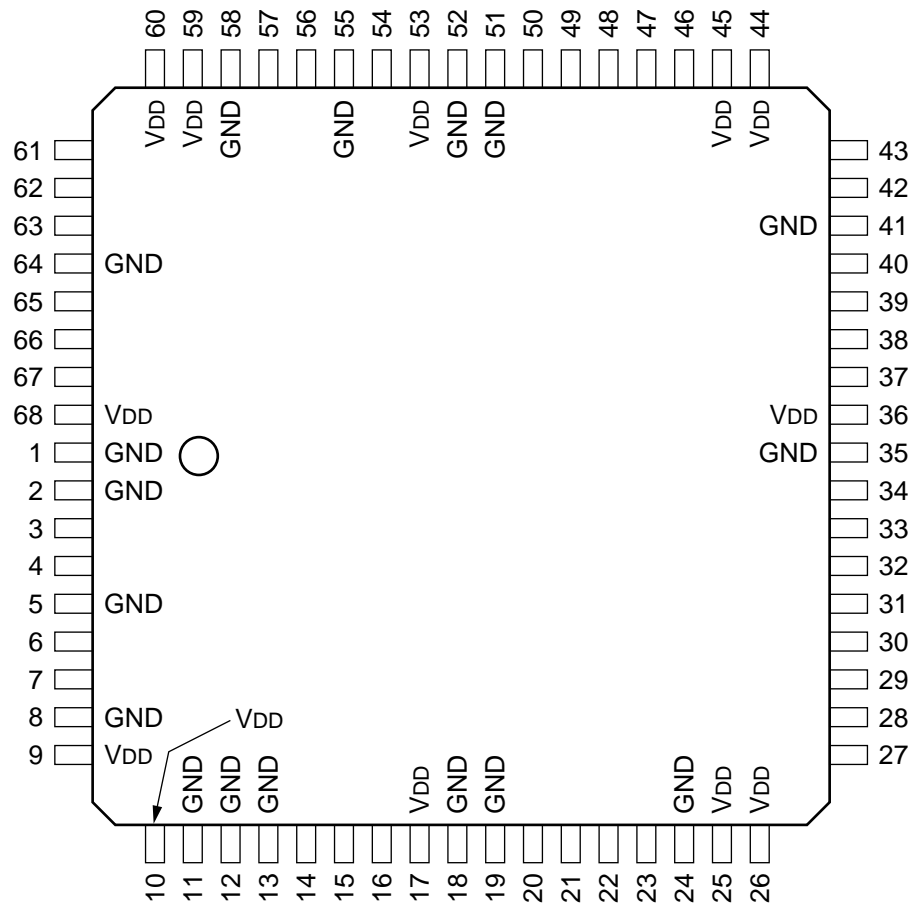


I/O PROCESSOR
 —TOP VIEW—



| PIN NO. | I/O | SIGNAL | PIN NO. | I/O | SIGNAL | PIN NO. | I/O | SIGNAL | PIN NO. | I/O | SIGNAL |
|---------|-----|--------|---------|-----|--------|---------|-----|--------|---------|-----|--------|
| 1 | — | GND | 18 | — | GND | 35 | — | GND | 52 | — | GND |
| 2 | — | GND | 19 | — | GND | 36 | — | VDD | 53 | — | VDD |
| 3 | O | DO6 | 20 | O | TSTFM | 37 | I | DI2 | 54 | I | FMCK |
| 4 | O | DO7 | 21 | O | TSTH | 38 | I | DI1 | 55 | — | GND |
| 5 | — | GND | 22 | O | TSTV | 39 | I | DI0 | 56 | O | TSTOUT |
| 6 | O | DO8 | 23 | I | RSW | 40 | I | CKP | 57 | I | OE |
| 7 | O | DO9 | 24 | — | GND | 41 | — | GND | 58 | — | GND |
| 8 | — | GND | 25 | — | VDD | 42 | I | CKX | 59 | — | VDD |
| 9 | — | VDD | 26 | — | VDD | 43 | I | CKD | 60 | — | VDD |
| 10 | — | VDD | 27 | I | DI9 | 44 | — | VDD | 61 | O | DO0 |
| 11 | — | GND | 28 | I | DI8 | 45 | — | VDD | 62 | O | DO1 |
| 12 | — | GND | 29 | I | DI7 | 46 | I | SMPL | 63 | O | DO2 |
| 13 | — | GND | 30 | I | DI6 | 47 | I | ADR | 64 | — | GND |
| 14 | I | TNEN | 31 | I | DI5 | 48 | I | CS | 65 | O | DO3 |
| 15 | I | LTST | 32 | I | DI4 | 49 | I/O | DIO | 66 | O | DO4 |
| 16 | O | TSTERR | 33 | I | DI3 | 50 | I | RST | 67 | O | DO5 |
| 17 | — | VDD | 34 | I | CKI | 51 | — | GND | 68 | — | VDD |

CXD8899J (2/3)**INPUT**

ADR : ADDRESS
CKD : CLOCK
CKI : 75 MHz TTL INPUT CLOCK
CKP : 75 MHz TTL OUTPUT CLOCK
CKX : LATCH UPDATE PULSE
 $\overline{\text{CS}}$: CHIP SELECT
DI0 - DI9 : 10-BIT TTL VIDEO WITH DIGITAL SYNC
FMCK : FRAME CLOCK
LTST : LOAD TEST
 $\overline{\text{OE}}$: DO BUS OUTPUT ENABLE
 $\overline{\text{RST}}$: RESET
RSW : FIFO RESET WRITE
SMPL : OUTPUT SMPLE
TNEN : PARAMETRIC TEST

OUTPUT

DO0 - DO9 : 10-BIT TTL VIDEO
TSTERR : SYNC ERROR FLAG
TSTFM : DELAYED FRAME RESET PULSE
TSTH : EXTRACTED HORIZONTAL SYNC
TSTOUT : PARAMETRIC TEST
TSTV : EXTRACTED VERTICAL (V/F) SYNC

INPUT/OUTPUT

DIO : BI-DIRECTIONAL DATA

