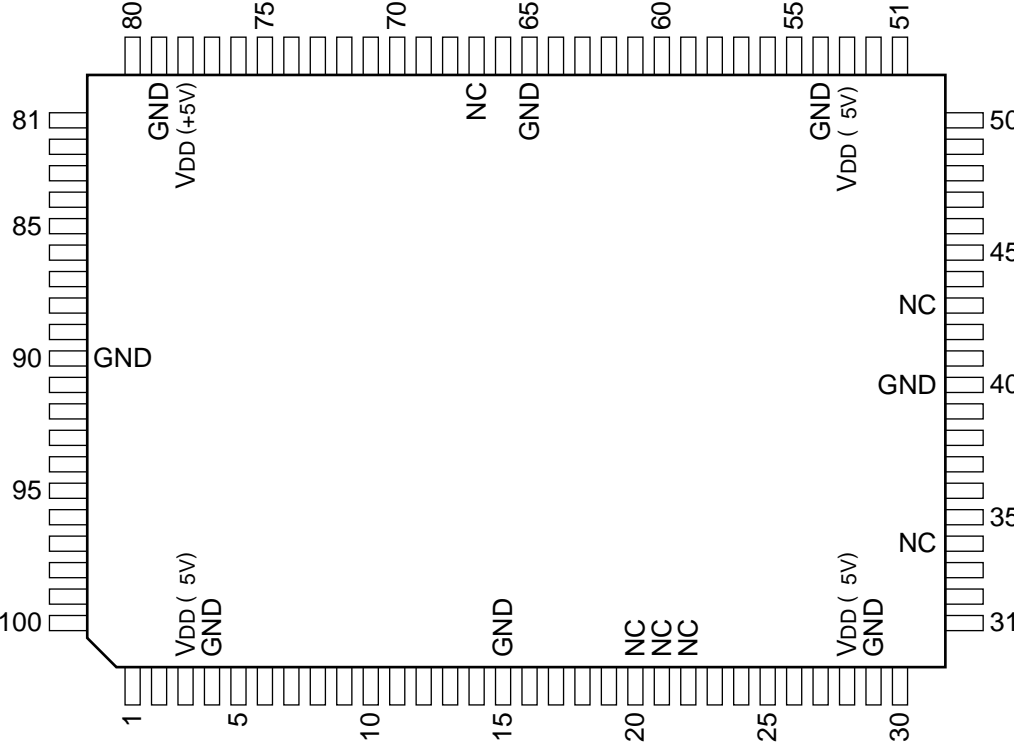

C-MOS SYNC GENERATOR

-TOP VIEW-

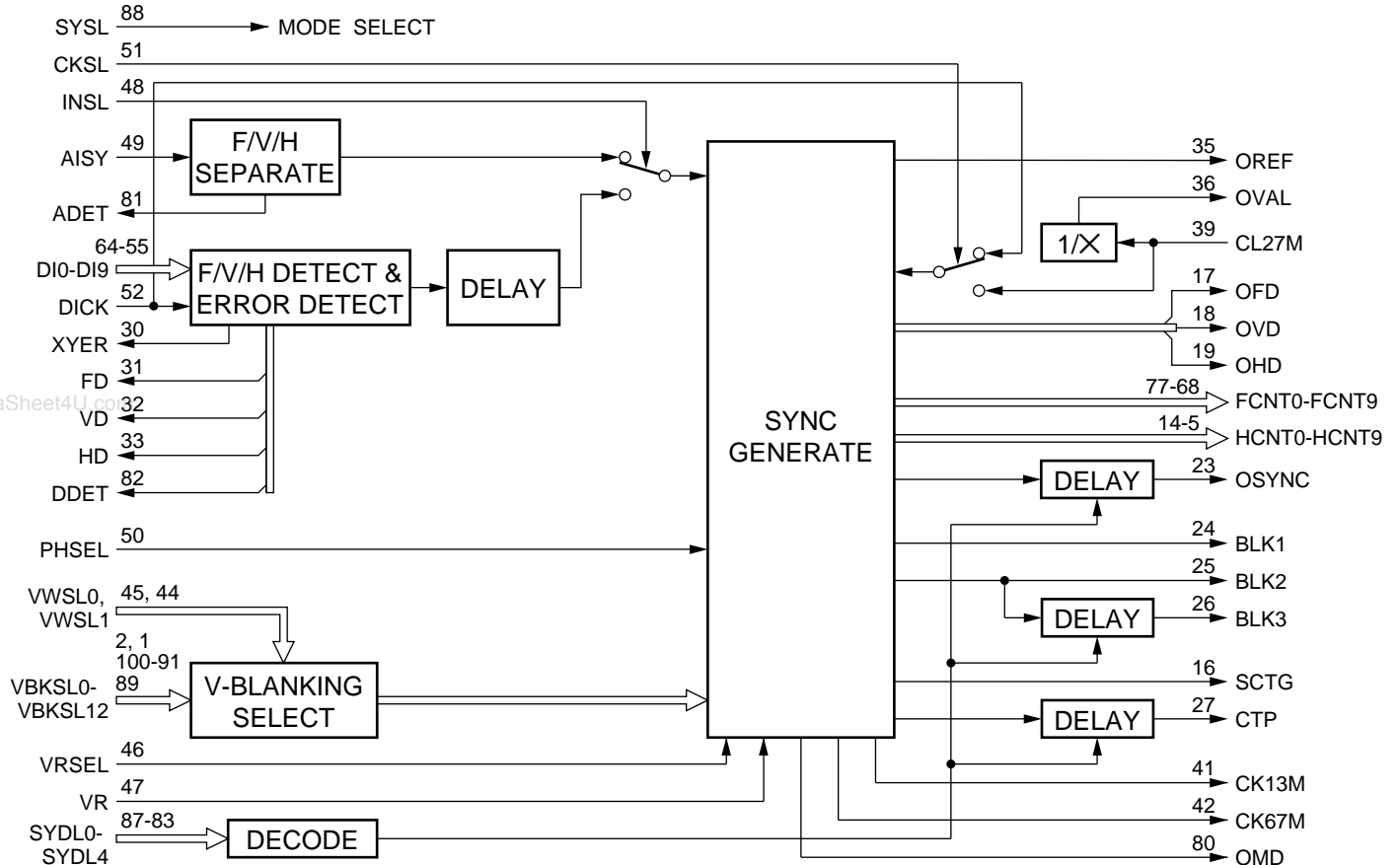


www.DataSheet4U.com

(VDD = 5V)

| PIN No. | I/O | SIGNAL | DESCRIPTION | PIN No. | I/O | SIGNAL | DESCRIPTION |
|---------|-----|--------|------------------------------|---------|-----|---------|-------------------------------|
| 1 | I | VBKSL1 | V-BLANKING LINE SELECT 1, 0 | 51 | I | CKSL | CLOCK SELECT |
| 2 | I | VBKSL0 | | 52 | I | DICK | DIGITAL DATA CLOCK |
| 3 | — | VDD | | 53 | — | VDD | |
| 4 | — | GND | | 54 | — | GND | |
| 5 | O | HCNT9 | H COUNTER 9-0 | 55 | I | DI9 | DATA9-0 |
| 6 | O | HCNT8 | | 56 | I | DI8 | |
| 7 | O | HCNT7 | | 57 | I | DI7 | |
| 8 | O | HCNT6 | | 58 | I | DI6 | |
| 9 | O | HCNT5 | | 59 | I | DI5 | |
| 10 | O | HCNT4 | | 60 | I | DI4 | |
| 11 | O | HCNT3 | | 61 | I | DI3 | |
| 12 | O | HCNT2 | | 62 | I | DI2 | |
| 13 | O | HCNT1 | | 63 | I | DI1 | |
| 14 | O | HCNT0 | | 64 | I | DI0 | |
| 15 | — | GND | | 65 | — | GND | |
| 16 | O | SCTG | BURST GATE PULSE/BF | 66 | I | HALF | V-BLANKING SELECT(LAST LINE) |
| 17 | O | OFD | FIELD PULSE | 67 | — | NC | |
| 18 | O | OVD | V PULSE | 68 | O | FCNT9 | LINE COUNTER 9-0 |
| 19 | O | OHD | H PULSE | 69 | O | FCNT8 | |
| 20 | — | NC | | 70 | O | FCNT7 | |
| 21 | — | NC | | 71 | O | FCNT6 | |
| 22 | — | NC | | 72 | O | FCNT5 | |
| 23 | O | OSYNC | COMPOSITE SYNC | 73 | O | FCNT4 | |
| 24 | O | BLK1 | BLANKING 1-3 | 74 | O | FCNT3 | |
| 25 | O | BLK2 | | 75 | O | FCNT2 | |
| 26 | O | BLK3 | | 76 | O | FCNT1 | |
| 27 | O | CTP | CLAMP PULSE/MASK | 77 | O | FCNT0 | |
| 28 | — | VDD | | 78 | — | VDD | |
| 29 | — | GND | | 79 | — | GND | |
| 30 | O | XYER | XY-BYTE ERROR/PARITY CHECK | 80 | O | OMD | LINE MODE SELECT/DI0 LATCH |
| 31 | O | FD | FIELD PULSE/DI6 LATCH | 81 | O | ADET | ANALOG COMPOSITE SYNC DETECT |
| 32 | O | VD | V PULSE/DI5 LATCH | 82 | O | DDET | DIGITAL COMPONENT DATA DETECT |
| 33 | O | HD | H PULSE/DI4 LATCH | 83 | I | SYDL4 | DELAY TIME SETTING 4-0 |
| 34 | — | NC | | 84 | I | SYDL3 | |
| 35 | O | OREF | REF SIGNAL | 85 | I | SYDL2 | |
| 36 | O | OVAL | VAL SIGNAL | 86 | I | SYDL1 | |
| 37 | I | TST1 | TEST 1, 2 | 87 | I | SYDL0 | |
| 38 | I | TST2 | | 88 | I | SYSL | |
| 39 | I | CL27M | VCXO OUT CLOCK 27 MHz/4fsc | 89 | I | VBKSL12 | V-BLANKING LINE SELECT 12 |
| 40 | — | GND | | 90 | — | GND | |
| 41 | O | CK13M | 13.5 MHz CLOCK/DI3 LATCH | 91 | I | VBKSL11 | V-BLANKING LINE SELECT 11-2 |
| 42 | O | CK67M | 6.75 MHz CLOCK/DI1 LATCH | 92 | I | VBKSL10 | |
| 43 | — | NC | | 93 | I | VBKSL9 | |
| 44 | I | VWVSL1 | V-BLANKING WIDTH SELECT 1, 0 | 94 | I | VBKSL8 | |
| 45 | I | VWVSL0 | | 95 | I | VBKSL7 | |
| 46 | I | VRSEL | VIDEO RESET SELECT | 96 | I | VBKSL6 | |
| 47 | I | VR | VIDEO RESET | 97 | I | VBKSL5 | |
| 48 | I | INSL | INPUT SELECT | 98 | I | VBKSL4 | |
| 49 | I | AISS | ANALOG COMPOSITE SYNC | 99 | I | VBKSL3 | |
| 50 | I | PHSEL | PHASE SELECT | 100 | I | VBKSL2 | |

422 MODE



4fsc MODE

