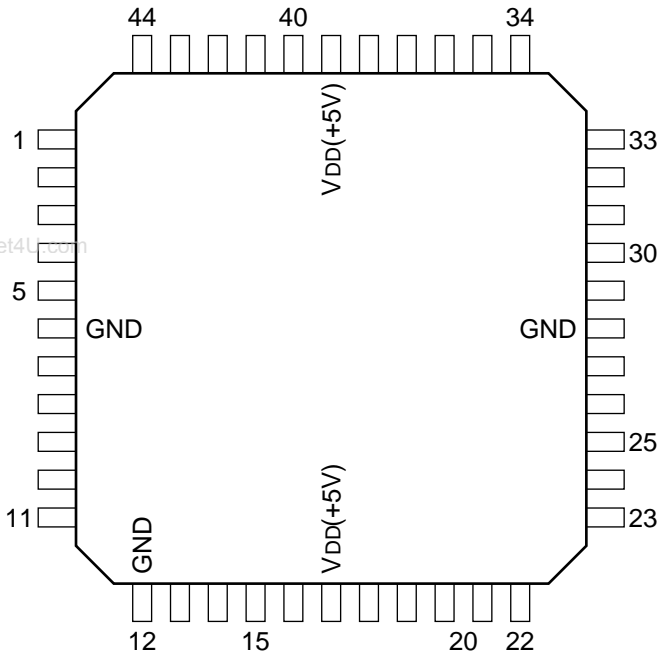
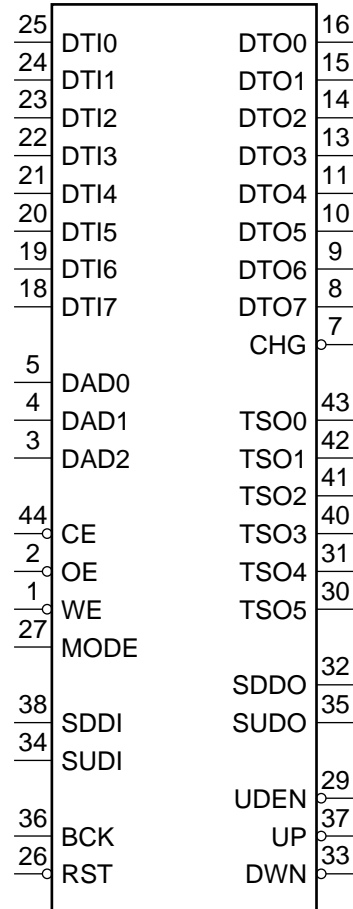

C-MOS DATA I/F For CONFERENCE SYSTEM
- TOP VIEW -



(V_{DD}=+5V)

PIN No.	SYMBOL	I/O	PIN No.	SYMBOL	I/O
1	WE	I	23	DTI2	I
2	OE	I	24	DTI1	I
3	DAD2	I	25	DTI0	I
4	DAD1	I	26	RST	I
5	DAD0	I	27	MODE	I
6	GND	-	28	GND	-
7	CHG	O	29	UDEN	O
8	DTO7	O	30	TSO5	O
9	DTO6	O	31	TSO4	O
10	DTO5	O	32	SDDO	O
11	DTO4	O	33	DWN	O
12	GND	-	34	SUDI	I
13	DTO3	O	35	SUDO	O
14	DTO2	O	36	BCK	I
15	DTO1	O	37	UP	O
16	DTO0	O	38	SDDI	I
17	V _{DD}	-	39	V _{DD}	-
18	DTI7	I	40	TSO3	O
19	DTI6	I	41	TSO2	O
20	DTI5	I	42	TSO1	O
21	DTI4	I	43	TSO0	O
22	DTI3	I	44	CE	I

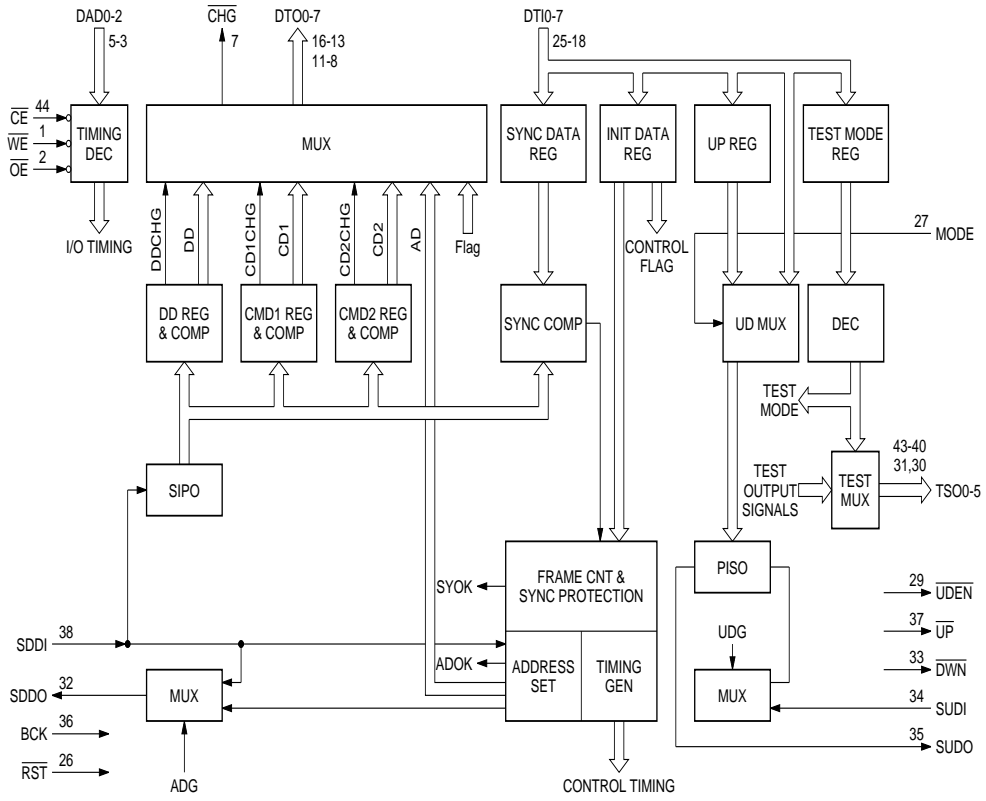


INPUT

- BCK ; SERIAL DATA BIT CLOCK
- CE ; PARALLEL DATA I/O ENABLE
- DAD0-2 ; I/O DATA ADDRESS (DTI, DTO)
- DTI0-7 ; PARALLEL DATA
- MODE ; MODE CONTROL
(L ; CE, OE, WE, DAD0-2 / H ; DTO, DTI)
- OE ; DTO OUTPUT ENABLE
- RST ; RESET
- SDDI ; MASTER UNIT SERIAL DATA
- SUDI ; FOLLOWER UNIT SERIAL DATA
- WE ; DTI WRITE ENABLE

OUTPUT

- CHG ; FOLLOWER CHANGED DATA STATUS
(DD, CMD1, 2)
- DTO0-7 ; PARALLEL DATA
- DWN ; MASTER UNIT DATA BUS CONTROL
- SDDO ; SERIAL DATA WITH CHANGED ADDRESS BIT
TO FOLLOWER UNIT
- SUDO ; SERIAL DATA WITH ADDED UD TO MASTER UNIT
- TSO0-5 ; TEST
- UDEN ; UD SERIAL DATA ENABLE
- UP ; FOLLOWER UNIT DATA BUS CONTROL



www.DataSheet4U.com