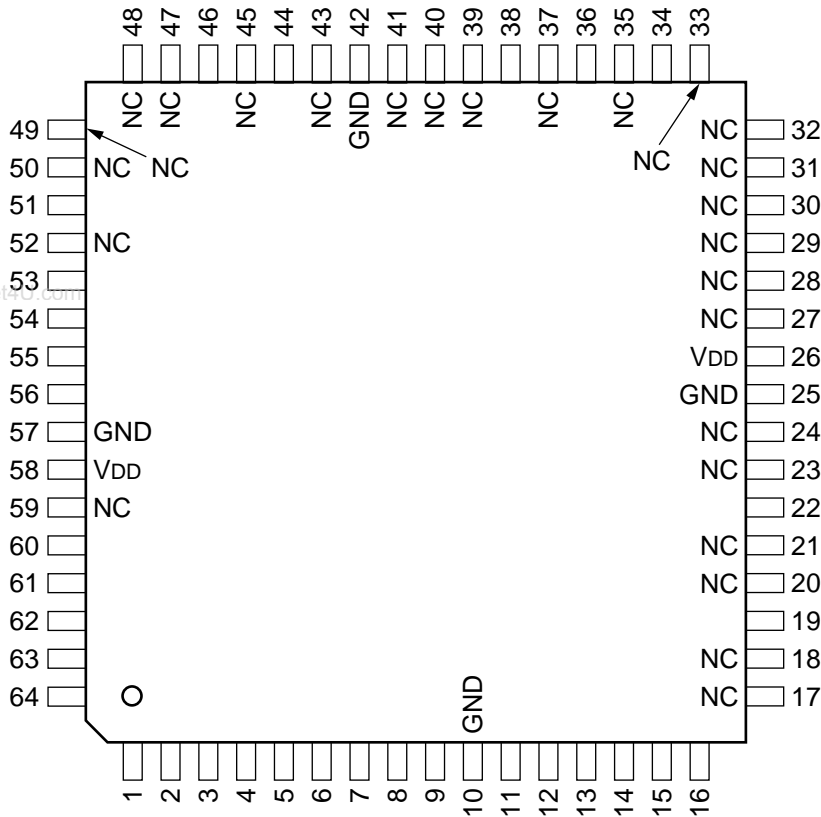


# C-MOS DIGITAL MULTIPLEX ENCODER

—TOP VIEW—



63	YCASEL	PEDATA	19
64	YCBSEL	PECK	22
1	RECSSEL	MPX	34
2	AUX1	ODIVCK	36
3	CNFASEL	OSTP	38
4	CNFBSEL	CK13	46
5	FEEN	CK13X	44
6	AUX2		
7	A1SEL		
8	A3SEL		
9	A5SEL		
11	A7SEL		
12	AUX3		
13	B1SEL		
14	B3SEL		
15	B5SEL		
16	B7SEL		
55	DIVSEL		
56	DLENSEL		
61	EXTSTP		
54	STARTSEL		
60	CK51		
51	XOEMPXD		
62	XRST		
53	TEST		

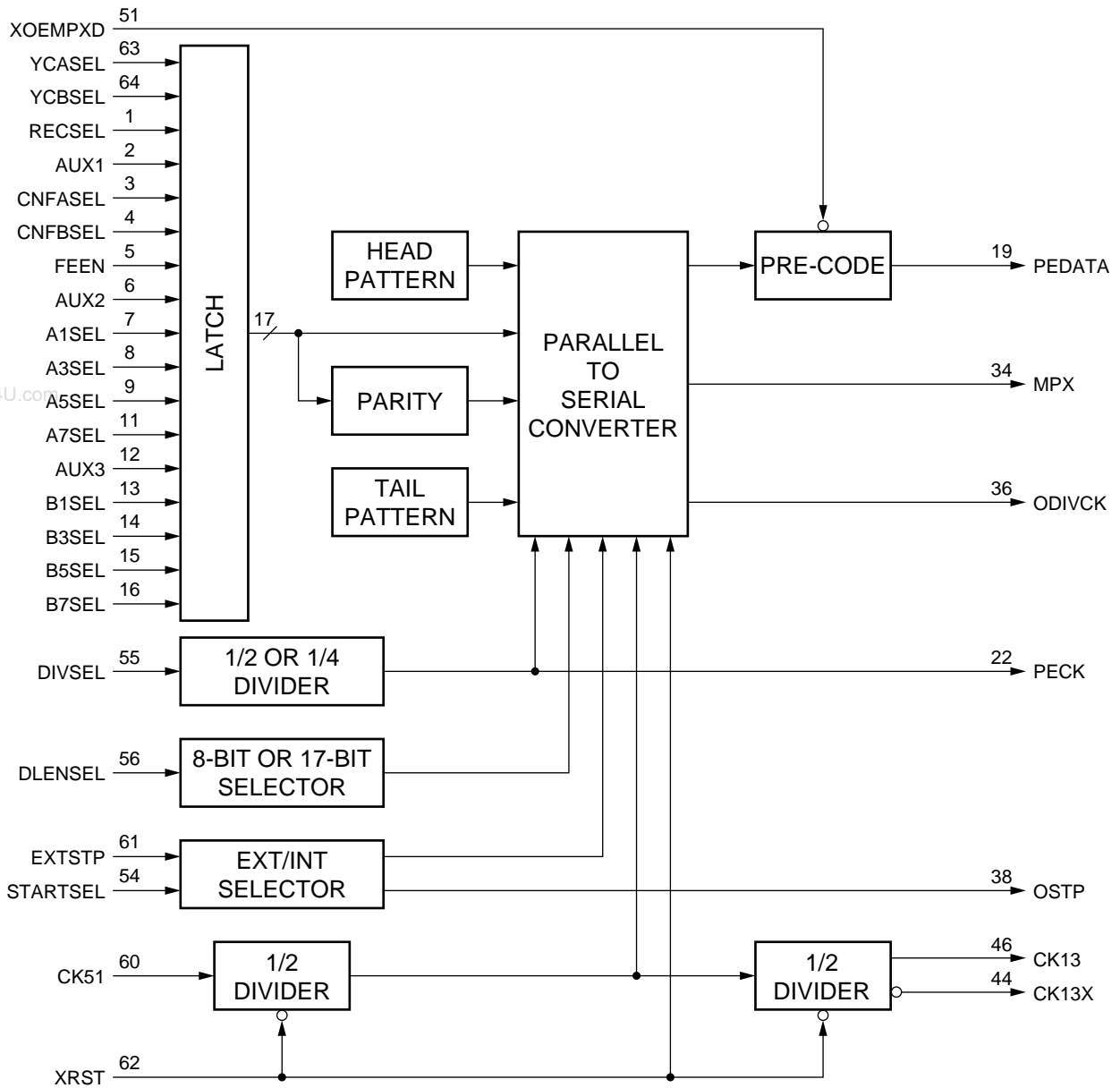
PIN NO.	I/O	SIGNAL	PIN NO.	I/O	SIGNAL	PIN NO.	I/O	SIGNAL	PIN NO.	I/O	SIGNAL
1	I	RECSEL	17	—	NC	33	—	NC	49	—	NC
2	I	AUX1	18	—	NC	34	O	MPX	50	—	NC
3	I	CNFASEL	19	O	PEDATA	35	—	NC	51	I	XOEMPXD
4	I	CNFBSEL	20	—	NC	36	O	ODIVCK	52	—	NC
5	I	FEEN	21	—	NC	37	—	NC	53	I	TEST
6	I	AUX2	22	O	PECK	38	O	OSTP	54	I	STARTSEL
7	I	A1SEL	23	—	NC	39	—	NC	55	I	DIVSEL
8	I	A3SEL	24	—	NC	40	—	NC	56	I	DLENSEL
9	I	A5SEL	25	—	GND	41	—	NC	57	—	GND
10	—	GND	26	—	VDD	42	—	GND	58	—	VDD
11	I	A7SEL	27	—	NC	43	—	NC	59	—	NC
12	I	AUX3	28	—	NC	44	O	CK13X	60	I	CK51
13	I	B1SEL	29	—	NC	45	—	NC	61	I	EXTSTP
14	I	B3SEL	30	—	NC	46	O	CK13	62	I	XRST
15	I	B5SEL	31	—	NC	47	—	NC	63	I	YCASEL
16	I	B7SEL	32	—	NC	48	—	NC	64	I	YCBSEL

**INPUT**

A1SEL	; A1/A2 PB HEAD SELECT
A3SEL	; A3/A4 PB HEAD SELECT
A5SEL	; A5/A6 PB HEAD SELECT
A7SEL	; A7/A8 PB HEAD SELECT
AUX1 - AUX3	; MPX DATA AUXILIARY
B1SEL	; B1/B2 PB HEAD SELECT
B3SEL	; B3/B4 PB HEAD SELECT
B5SEL	; B5/B6 PB HEAD SELECT
B7SEL	; B7/B8 PB HEAD SELECT
CK51	; 51.39 MHz REFERENCE CLOCK
CNFASEL, CNFBSEL	; CNF SYSTEM SELECT
DIVSEL	; MPX CLOCK DIVIDING RATIO SELECT (H : 1/4, L : 1/2)
DLENSEL	; MPX DATA LENGTH SELECT (H : 17-BIT, L : 8-BIT)
EXTSTP	; MPX DATA SYNC SYSTEM SELECT (H : INT, L : EXT)
FEEN	; FLYING ERASE HEAD CONTROL
RECSEL	; REC SYSTEM SELECT
STARTSEL	; MPX DATA EXTERNAL SYNC-LOCK
TEST	; TEST
XOEMPXD	; PE DATA AND PECK CONTROL
XRST	; SYSTEM RESET
YCASEL, YCBSEL	; ANALOG BETACAM PB Y/C HEAD SELECT

**OUTPUT**

CK13	; 12.8 MHz CLOCK
CK13X	; PHASE INVERTED 12.8 MHz CLOCK
MPX	; BEFORE PRE-CODED MPX DATA
ODIVCK	; DOWN COUNTED (1/2 OR 1/4) MPX CLOCK
OSTP	; TIMING PULSE
PECK	; 25.7 MHz MPX CLOCK
PEDATA	; PRE-CODED MPX DATA



www.DataSheet4U.com