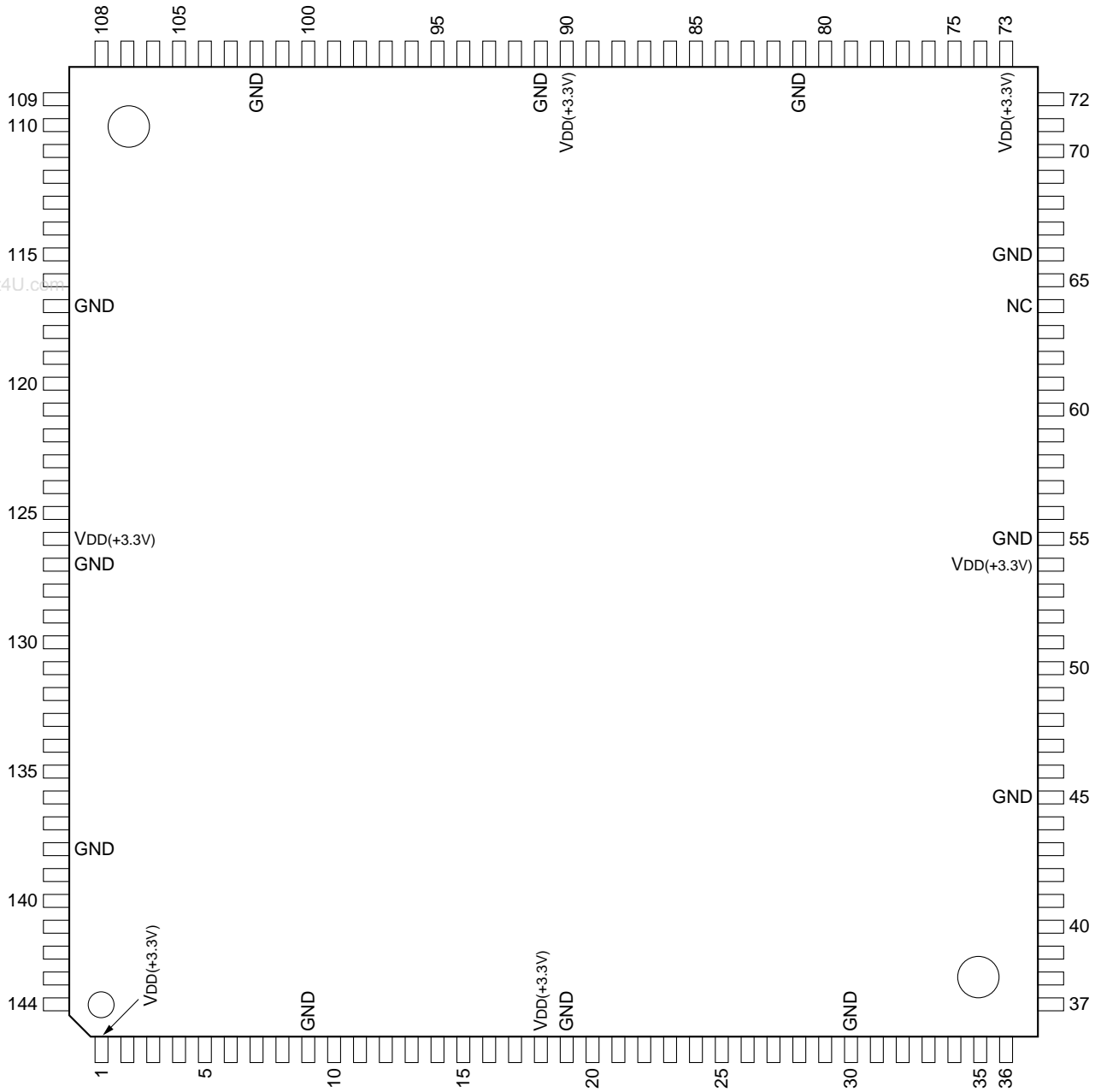

C-MOS 11-BIT DATA SELECTOR AND 8-BIT CPU BUS INTERFACE -TOP VIEW-



(V_{DD} = +3.3V)

PIN NO.	I/O	SIGNAL	PIN NO.	I/O	SIGNAL	PIN NO.	I/O	SIGNAL	PIN NO.	I/O	SIGNAL
1	—	V _{DD}	37	I	BD0	73	—	V _{DD}	109	I/O	PD7
2	I	A1D4	38	I	BD1	74	O	PA0	110	I	MSEL2
3	I	A1D5	39	I	BD2	75	O	PA1	111	I	MSEL3
4	I	A1D6	40	I	BD3	76	O	PA2	112	I	$\overline{\text{RST}}$
5	I	A1D7	41	I	BD4	77	O	PA3	113	I	$\overline{\text{CS}}$
6	I	A1D8	42	I	BD5	78	O	PA4	114	I	STRB
7	I	A1D9	43	I	BD6	79	O	PA5	115	I	STAT0
8	I	A1D10	44	I	BD7	80	O	PA6	116	I	STAT1
9	—	GND	45	—	GND	81	—	GND	117	—	GND
10	O	O1D0	46	I	BD8	82	O	PA7	118	I/O	SYSD0
11	O	O1D1	47	I	BD9	83	O	PB0	119	I/O	SYSD1
12	O	O1D2	48	I	BD10	84	O	PB1	120	I/O	SYSD2
13	O	O1D3	49	I	BCK	85	O	PB2	121	I/O	SYSD3
14	O	O1D4	50	O	O3D0	86	O	PB3	122	I/O	SYSD4
15	O	O1D5	51	O	O3D1	87	O	PB4	123	I/O	SYSD5
16	O	O1D6	52	O	O3D2	88	O	PB5	124	I/O	SYSD6
17	O	O1D7	53	O	O3D3	89	O	PB6	125	I/O	SYSD7
18	—	V _{DD}	54	—	V _{DD}	90	—	V _{DD}	126	—	V _{DD}
19	—	GND	55	—	GND	91	—	GND	127	—	GND
20	O	O1D8	56	O	O3D4	92	O	PB7	128	I	ACK
21	O	O1D9	57	O	O3D5	93	I/O	PC0	129	I	A0D0
22	O	O1D10	58	O	O3D6	94	I/O	PC1	130	I	A0D1
23	O	O1CK	59	O	O3D7	95	I/O	PC2	131	I	A0D2
24	O	O2D0	60	O	O3D8	96	I/O	PC3	132	I	A0D3
25	O	O2D1	61	O	O3D9	97	I/O	PC4	133	I	A0D4
26	O	O2D2	62	O	O3D10	98	I/O	PC5	134	I	A0D5
27	O	O2D3	63	O	O3CK	99	I/O	PC6	135	I	A0D6
28	O	O2D4	64	—	NC	100	I/O	PC7	136	I	A0D7
29	O	O2D5	65	I	SELTIM	101	I/O	PD0	137	I	A0D8
30	—	GND	66	—	GND	102	—	GND	138	—	GND
31	O	O2D6	67	I	SEL0	103	I/O	PD1	139	I	A0D9
32	O	O2D7	68	I	SEL1	104	I/O	PD2	140	I	A0D10
33	O	O2D8	69	I	SEL2	105	I/O	PD3	141	I	A1D0
34	O	O2D9	70	I	SEL3	106	I/O	PD4	142	I	A1D1
35	O	O2D10	71	I	SEL4	107	I/O	PD5	143	I	A1D2
36	O	O2CK	72	I	SEL5	108	I/O	PD6	144	I	A1D3

INPUT

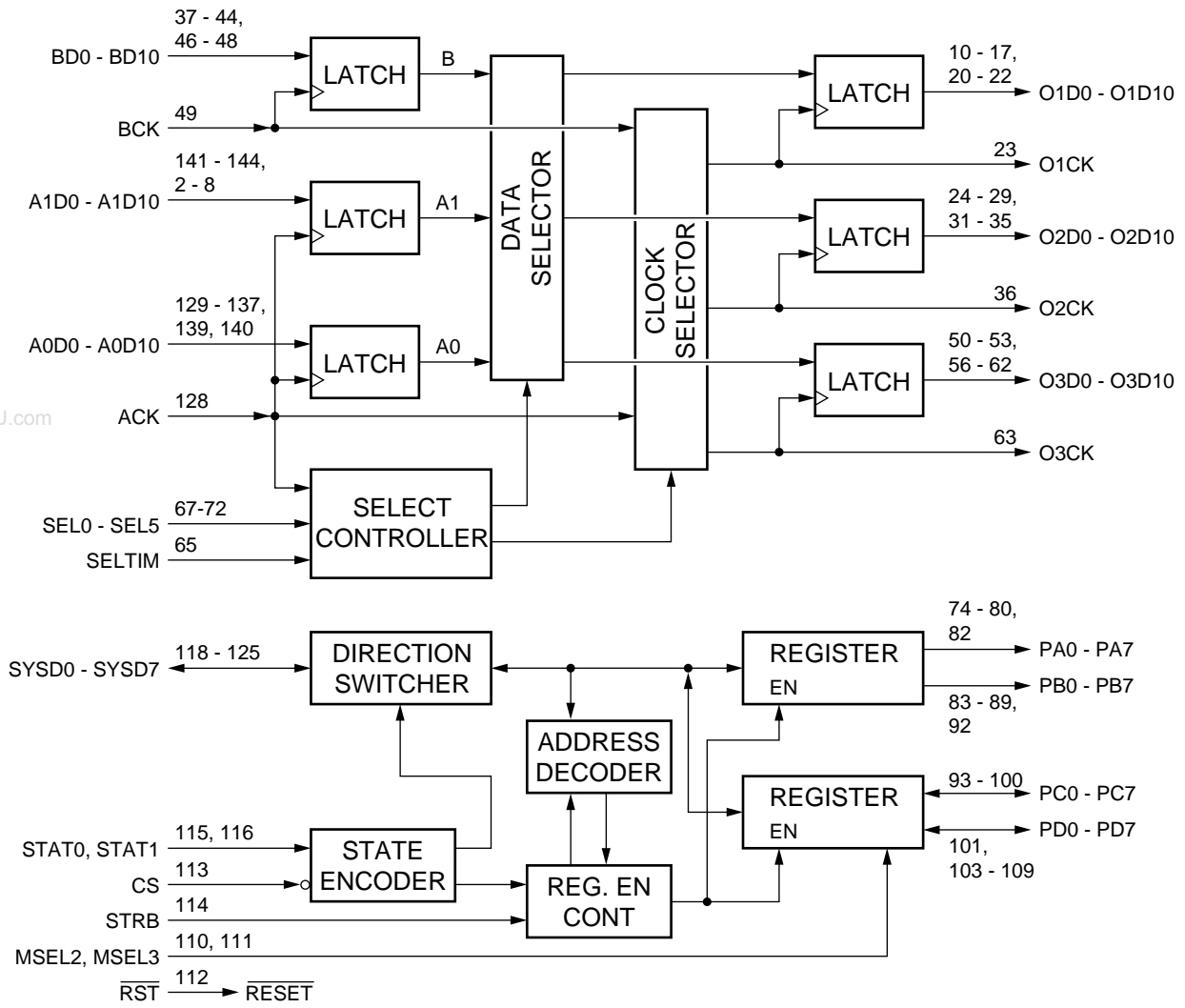
A0D0 - A0D10 ; DATA
A1D0 - A1D10 ; DATA
ACK ; 27 MHz CLOCK
BCK ; 27 MHz CLOCK
BD0 - BD10 ; DATA
 \overline{CS} ; CHIP SELECT
MSEL2, MSEL3 ; MODE SELECT
 \overline{RST} ; RESET
SEL0 - SEL5 ; SELECT CONTROL
SELTIM ; SELECT TIMING
STAT0, STAT1 ; DATA BUS STATE
STRB ; STROBE

OUTPUT

O1CK ; SELECTED CLOCK
O1D0 - O1D10 ; SELECTED DATA
O2CK ; SELECTED CLOCK
O2D0 - O2D10 ; SELECTED DATA
O3CK ; SELECTED CLOCK
O3D0 - O3D10 ; SELECTED DATA
PA0 - PA7 ; ADDRESS 00H DATA
PB0 - PB7 ; ADDRESS 01H DATA

INPUT/OUTPUT

PC0 - PC7 ; ADDRESS 02H DATA OUTPUT OR EXTERNAL
DATA INPUT
PD0 - PD7 ; ADDRESS 03H DATA OUTPUT OR EXTERNAL
DATA INPUT
SYSD0 - SYSD7 ; CPU DATA BUS



www.DataSheet4U.com