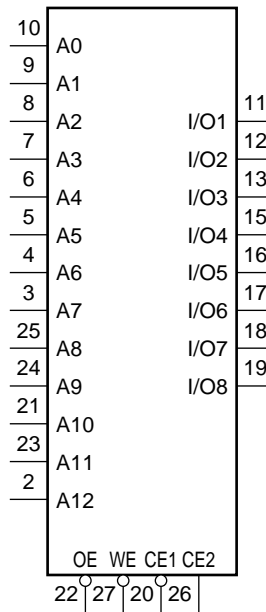
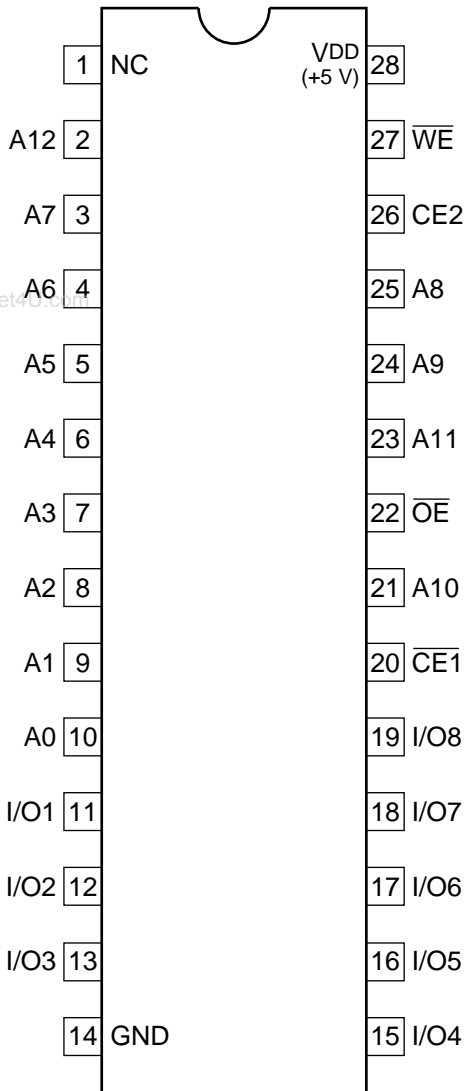
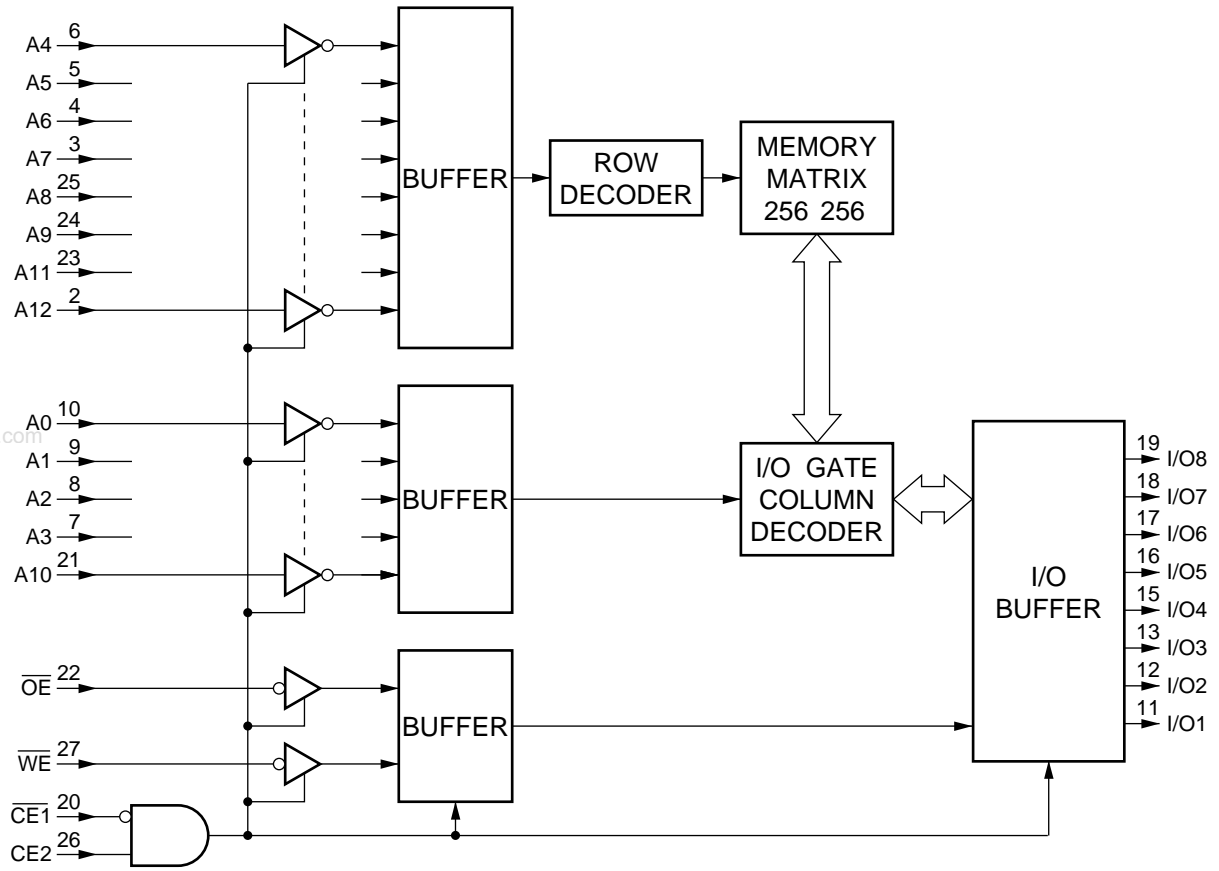

C-MOS 64k (8192 8)-BIT STATIC RAM
-TOP VIEW-



A0 - A12 ; ADDRESS INPUT
 CE1, CE2 ; CHIP ENABLE INPUT
 I/O1 - I/O8 ; DATA INPUT/OUTPUT
 OE ; OUTPUT ENABLE INPUT
 WE ; WRITE ENABLE INPUT

CE1	CE2	OE	WE	MODE	I/O TERMINAL
1	X	X	X	NOT SELECT	HIGH IMPEDANCE
X	0	X	X	NOT SELECT	HIGH IMPEDANCE
0	1	1	1	OUTPUT DISABLE	HIGH IMPEDANCE
0	1	0	1	READ	OUTPUT DATA
0	1	X	0	WRITE	INPUT DATA

0 ; LOW LEVEL
 1 ; HIGH LEVEL
 X ; DON'T CARE



www.DataSheet4U.com