

**CMOS-CCD Signal Processor**

**Description**

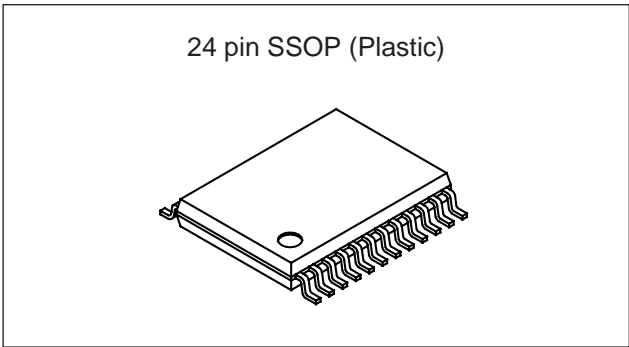
The CXL1517N/1518N are CMOS-CCD signal processors developed for CCD camera complementary color filter array processing system.

CXL1517N

452.5-bit × 2, 453.5-bit 1H CCD delay line

CXL1518N

300.5-bit × 2, 301.5-bit 1H CCD delay line



**Features**

- Single 5V power supply
- Low power consumption (Typ.)
 

CXL1517N	120mW
CXL1518N	75mW
- Built-in peripheral circuits
- Built-in CDS (Correlated Double Sampling) circuit

**Structure**

CMOS-CCD

**Functions**

- Clock driver
- Autobias circuit (Center and black)
- Pedestal clamp circuit
- CDS circuit
- Overflow prevention circuit

**Absolute Maximum Ratings (Ta = 25°C)**

- |                               |                  |             |                   |
|-------------------------------|------------------|-------------|-------------------|
| • Supply voltage              | V <sub>DD</sub>  | 6           | V                 |
| • Operating temperature       | T <sub>opr</sub> | -10 to +65  | °C                |
| • Storage temperature         | T <sub>stg</sub> | -55 to +150 | °C                |
| • Allowable power dissipation | P <sub>D</sub>   | 350         | mW (SSOP package) |

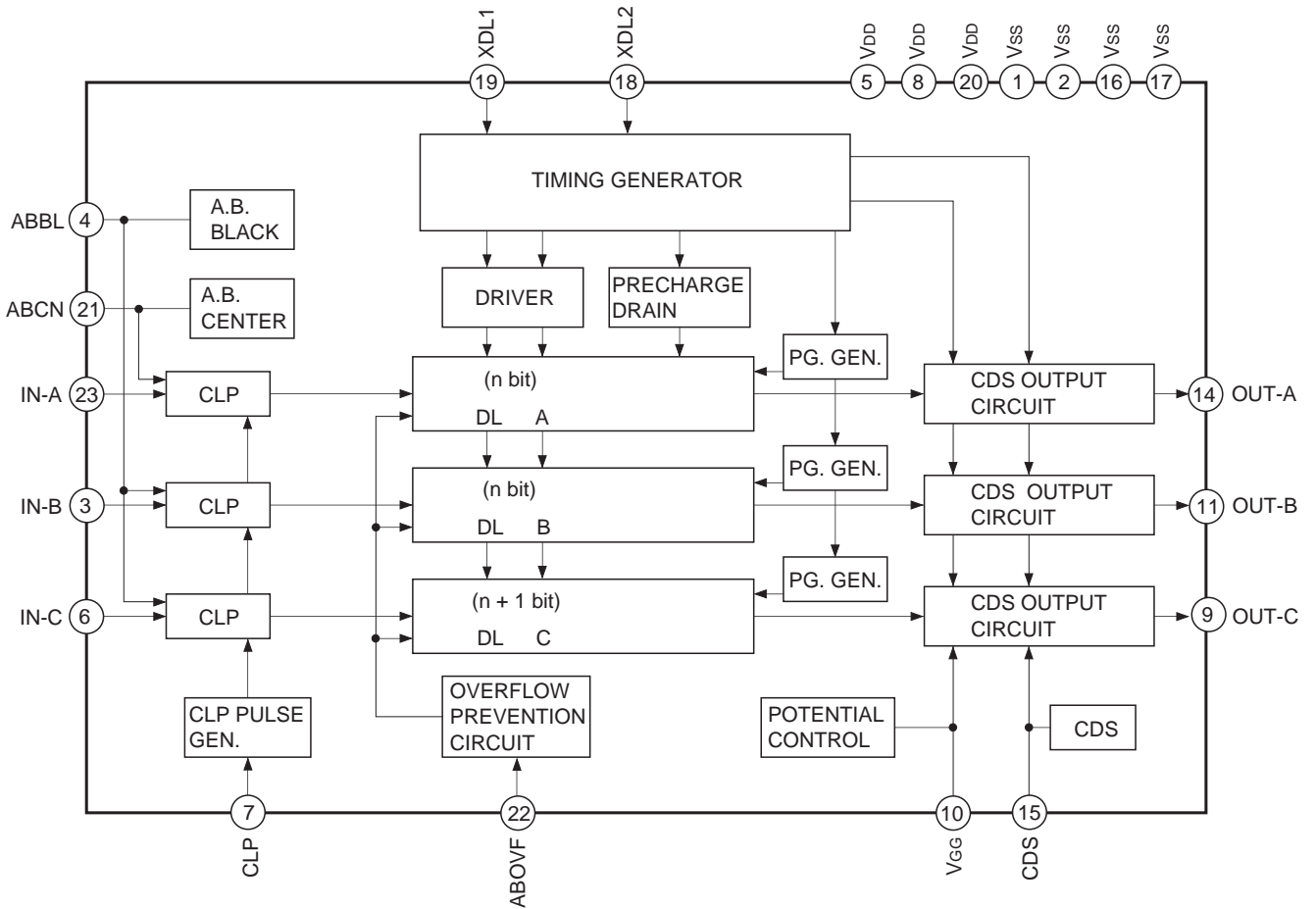
**Recommended Operating Voltage Range (Ta = 25°C)**

Supply voltage	V <sub>DD</sub>	4.6 to 5.25	V
----------------	-----------------	-------------	---

Item	Symbol	Min.	Typ.	Max.	Unit	Remarks
Clock voltage Low	V <sub>L</sub>	V <sub>SS</sub>		0.3 × V <sub>DD</sub>	V	
Clock voltage High	V <sub>H</sub>	0.7 × V <sub>DD</sub>		V <sub>DD</sub>	V	
Clock frequency	CXL1517N	f <sub>CL</sub>	7.16		MHz	NTSC: 455f <sub>H</sub> CCIR: 454f <sub>H</sub>
	CXL1518N	f <sub>CL</sub>	4.77		MHz	NTSC: 910f <sub>H</sub> /3 CCIR: 908f <sub>H</sub> /3

Sony reserves the right to change products and specifications without prior notice. This information does not convey any license by any implication or otherwise under any patents or other right. Application circuits shown, if any, are typical examples illustrating the operation of the devices. Sony cannot assume responsibility for any problems arising out of the use of these circuits.

Block Diagram and Pin Configuration (Top View)



## Pin Description

Pin No.	Symbol	I/O	Description	Comment
1	V <sub>SS</sub>	—		
2	V <sub>SS</sub>	—	GND	Analog
3	IN-B	I	Signal input B channel (Y)	
4	ABBL	O	Autobias DC output for Y signal	Black level bias
5	V <sub>DD</sub>	—	Power supply	Analog
6	IN-C	I	Signal input C channel (Y)	Black level bias at no clamp > 100k
7	CLP	I	Clamp pulse input	> 100k
8	V <sub>DD</sub>	—	Power supply	Output circuit
9	OUT-C	O	Signal output C channel	
10	V <sub>GG</sub>	O	Output circuit bias DC output	
11	OUT-B	O	Signal output B channel	
12	NC	—	—	
13	NC	—	—	
14	OUT-A	O	Signal output A channel	
15	CDS	O	DC output for CDS	
16	V <sub>SS</sub>	—	GND	Output circuit
17	V <sub>SS</sub>	—	GND	Timing
18	XDL2	I	Clock pulse input 2	> 100k
19	XDL1	I	Clock pulse input 1	> 100k
20	V <sub>DD</sub>	—	Power supply	Timing
21	ABCN	O	Autobias DC output for C signal	
22	ABOVF	O	Autobias DC output for overflow prevention circuit	
23	IN-A	I	Signal input A channel (C)	Center level bias at no clamp > 100k
24	NC	—	—	

Electrical Characteristics

Ta = 25°C, VDD = 5.0V, VSS = 0V fCL = 7.16MHz (CXL1517N)  
fCL = 4.77MHz (CXL1518N)

Item	Symbol	Test point	SW conditions				Bias conditions	Conditions	Ratings			Unit
			SW1	SW2	SW3	SW4 to 6			Min.	Typ.	Max.	
Autobias center level	ABCN	V1	a	b	a	a	E1		4.2	4.6	4.8	V
Autobias black level	ABBL	V2	a	b	a	a			3.9	4.3	4.5	V
Overflow prevention circuit Autobias level	ABOVF	V3	a	b	a	a			2.6	3.0	3.3	V
CDS source level	CDS	V4	a	a	a	a			1.2	2.3	3.5	V
Output circuit bias level	VGG	V5	a	a	a	a			0.3	0.8	3.0	V
Current * supply	IDD	A1	b	a	a	a	V1		—	24	35	mA
			a	a	a	a		—	15	25		
Insertion gain	IG	V6	b	b	a	a	A → V1 B, C → V2 + 0.25V	20 log $\frac{\text{Output amplitude (mVp-p)}}{\text{Input amplitude (SIN 100kHz, 100mVp-p)}}$	—	—	—	dB
			b	b	a	a			—4.5	—3.5	—	
Frequency * response	fG	V6	b	b	a	a	↓	20 log $\frac{\text{Output amplitude (SIN 1MHz, 100mVp-p)}}{\text{Output amplitude (SIN 100kHz, 100mVp-p)}}$	—	—	—	dB
			↓	↓	a	a			—1.5	—0.4	—	
Linearity	Lin.	V6	b	b	a	a		Note 1)	0	5	12	%
			↓	↓	a	a			—1.8	—0.8	—	
The insertion gain difference between channels	ΔG							Note 2)	0	5	12	%
Linearity difference between channels	ΔLBC							Note 3)	0	1	5	%
Cross-talk between channels	CRT	V6	b	b	a	a	A → V1 B, C → V2 + 0.25V	Note 4)	0	1	3	%
			↓	↓	a	a			—	—	—	

\* Standard values are different between CXL1517N and CXL1518N.

**Notes)**

1) Linearity testing

For A channel, set input bias to ABCN – 0.2V first, and then set it to ABCN and ABCN + 0.2V. Then input a sine wave of 100kHz and 100mVp-p, and compare the three output amplitudes. For B channel and C channel, set input bias to ABBL + 0.45V first, and then set it to ABBL + 0.25V and ABBL + 0.05V. Then input a sine wave of 100kHz and 100mVp-p, and compare the three output amplitudes. The maximum output amplitude for the respective A, B and C channels is taken as Sout max and the minimum output amplitude as Sout min. The linearity of the respective channels is defined as:

$$\text{Lin.} = \frac{\text{Sout max} - \text{Sout min}}{\text{Sout max} + \text{Sout min}} \times 200 \text{ [%]}$$

2) Calculation of insertion gain difference

As the maximum insertion gain among A, B and C channels is taken as Gmax and the minimum as Gmin, the insertion gain difference between channels ΔG as:

$$\Delta G = \left| 1 - 10 \left( \frac{G_{\text{max}} - G_{\text{min}}}{20} \right) \right| \times 100 \text{ [%]}$$

3) Calculation of linearity difference

Define B channel linearity as LB and C channel linearity as Lc we obtain the difference ΔLBC as:

$$\Delta L_{BC} = |L_B - L_C| \text{ [%]}$$

4) Cross-talk calculation

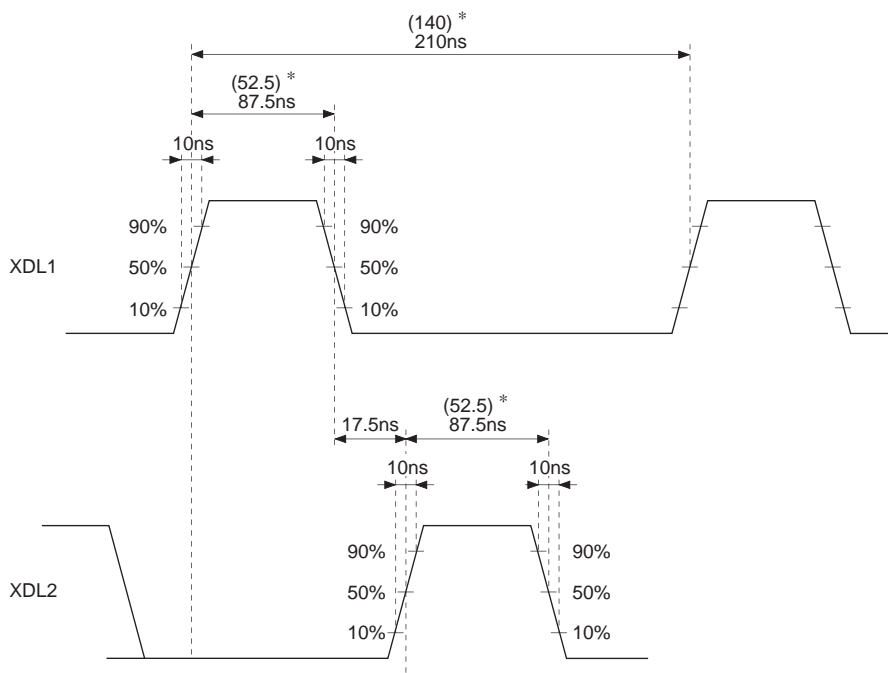
CRTa : The cross-talk value of A channel when B and C channels are input

OUT<sub>A-a</sub> : The output value of A channel when A channel is input  
SW3-a, SW4-a, SW5, 6-b

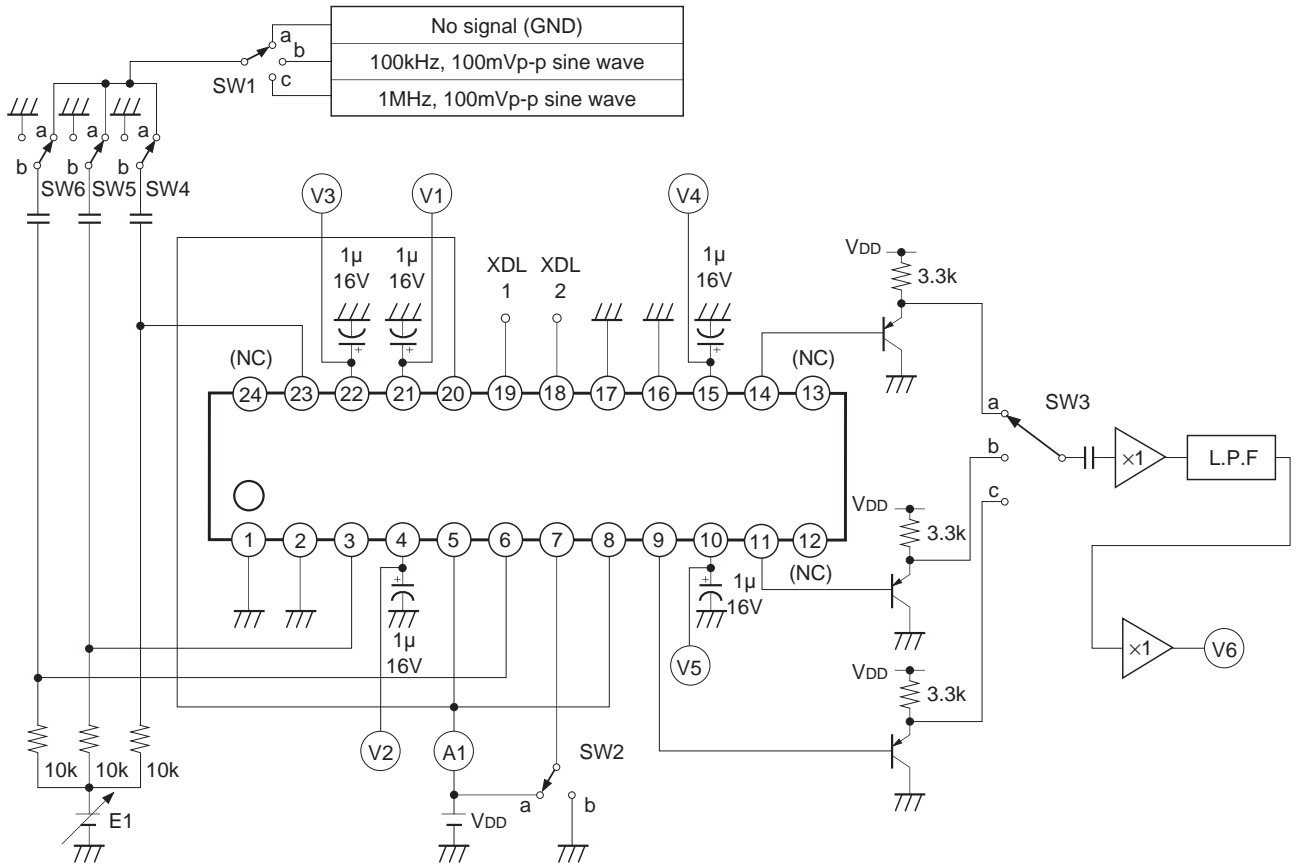
OUT<sub>A-bc</sub> : The output value of A channel when B and C channels are input  
(Cross-talk component)  
SW3-a, SW4-b, SW5, 6-a

$$\text{CRTa} = \frac{\text{OUT}_{A-bc}}{\text{OUT}_{A-a}} \times 100 \text{ [%]}$$

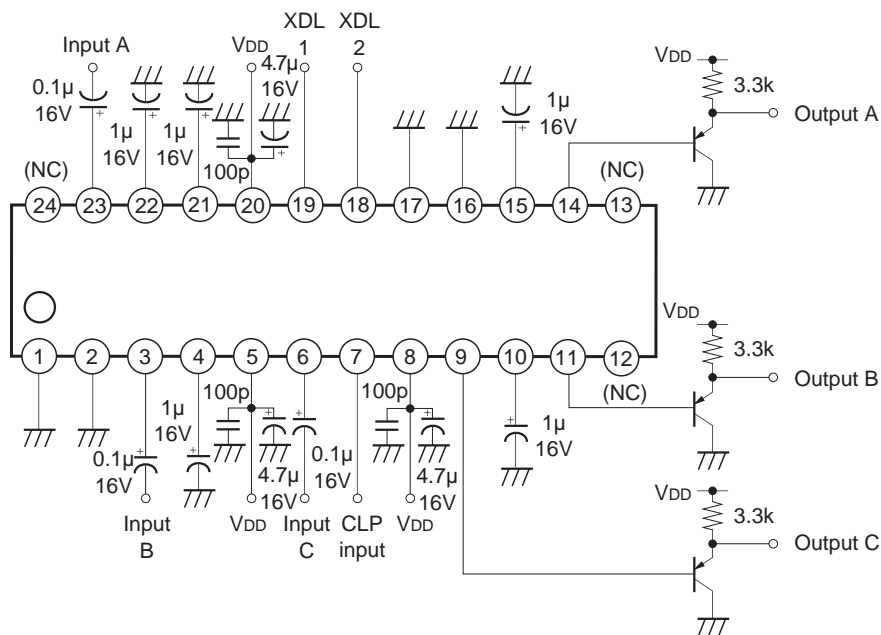
**Clock Waveform Timing**



Electrical Characteristics Test Circuit



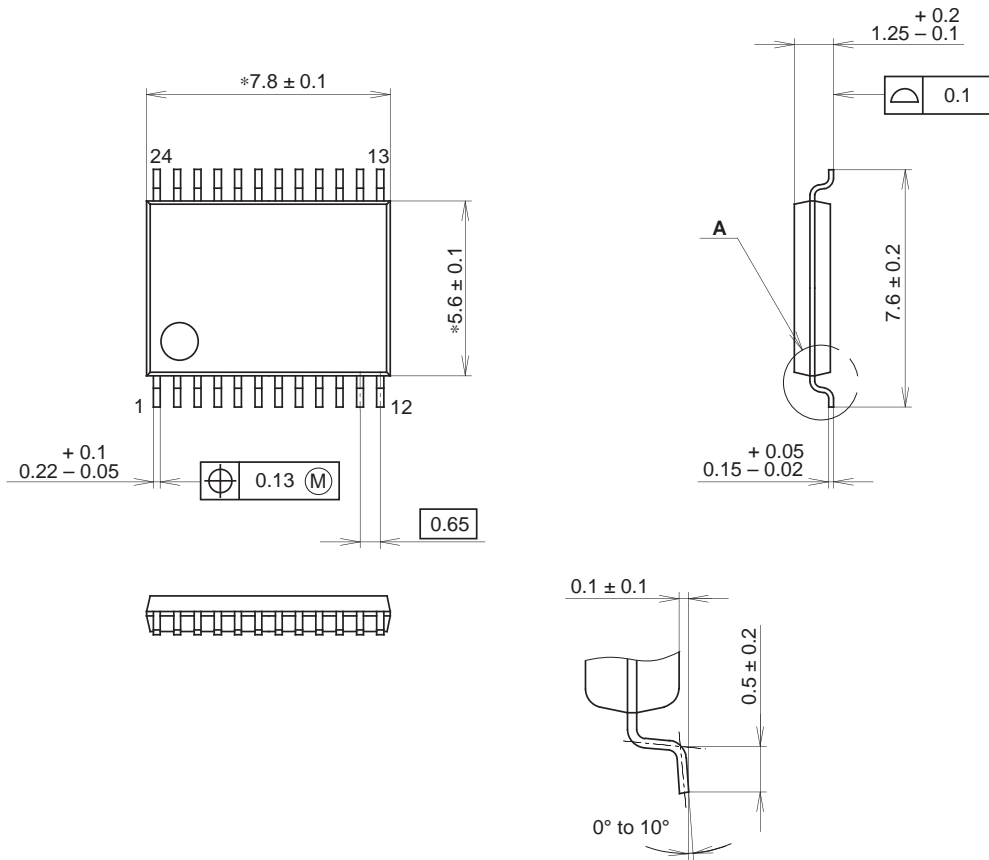
Application Circuit



Application circuits shown are typical examples illustrating the operation of the devices. Sony cannot assume responsibility for any problems arising out of the use of these circuits or for any infringement of third party patent and other right due to same.

Package Outline Unit: mm

24PIN SSOP(PLASTIC)



NOTE: Dimensions "\*" does not include mold protrusion.

DETAIL A

PACKAGE STRUCTURE

SONY CODE	SSOP-24P-L01
EIAJ CODE	SSOP024-P-0056
JEDEC CODE	_____

PACKAGE MATERIAL	EPOXY RESIN
LEAD TREATMENT	SOLDER/PALLADIUM PLATING
LEAD MATERIAL	42/COPPER ALLOY
PACKAGE MASS	0.1g