

CMOS 4-bit 1 Chip Microcomputer

Piggyback type

Description

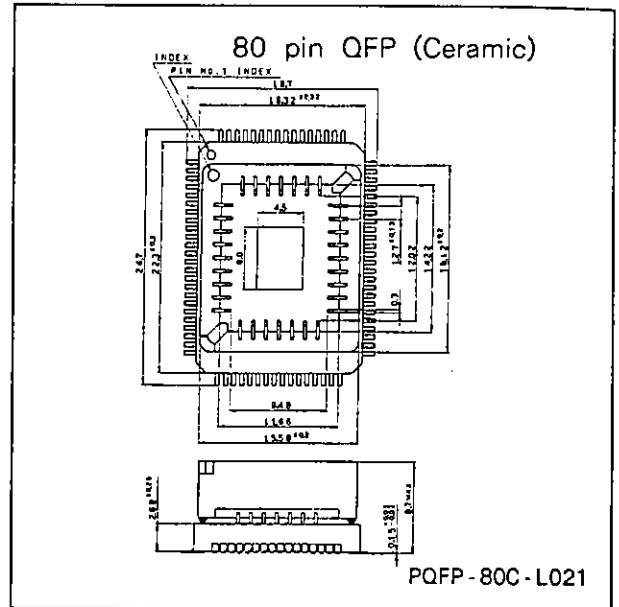
CXP5070 is a CMOS 4-bit 1 chip microcomputer of piggyback/evaluator combined type which has been developed for functional evaluation of the CXP5076/CXP5078.

Features

- Instruction cycle 1.9 μ s/4.19MHz
122 μ s/32kHz
(Possible to select with the program)
- ROM capacity Maximum 8K bytes (EPROM 27C64 LCC)
- RAM capacity 448 x 4 bits (Including stack area)
(32 x 4 bits is used in combination with the LCD display memory.)
- 43 general purpose I/O ports (When the combined pins specify the ports)
- LCD controller/driver (Possible to direct drive)
 - Possible to select with the program the segment output of 16 to 32
 - Possible to select with the program the duty of static, 1/2, 1/3 and 1/4
 - Possible to select with the program the bias of 1/2 and 1/3
- 14-bit PWM output for D/A conversion
- Remote control receiving circuit
- 3-bit A/D converter (8 channels per circuit)
- 32kHz timer/event counter
- Power supply voltage detection reset function
- Low voltage operation (2.5V)when operating in 122 μ s/32kHz
- 8 high current output port
- Rich wake-up function
- 8-bit/4-bit variable serial I/O
- 8-bit timer, 8-bit timer/event counter and 18-bit time base timer, independently controlled
- 2 kinds of power down modes of sleep and stop
- Power on reset circuit (mask option)
- Provided with 80 pin piggyback QFP

Package Outline

Unit : mm



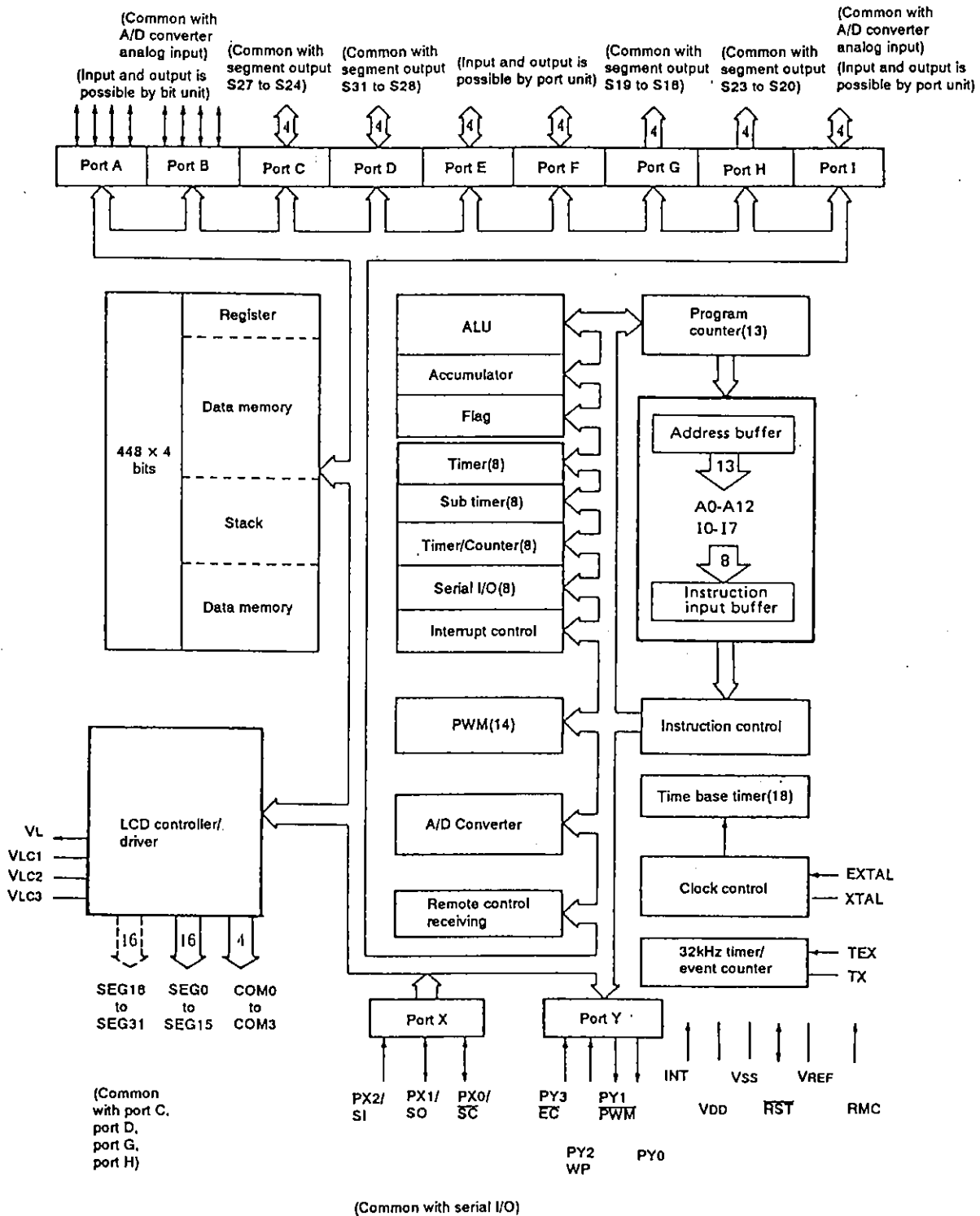
Note) Mask options are determined according to the CXP5070 category.

For details refer to the product list.

Structure

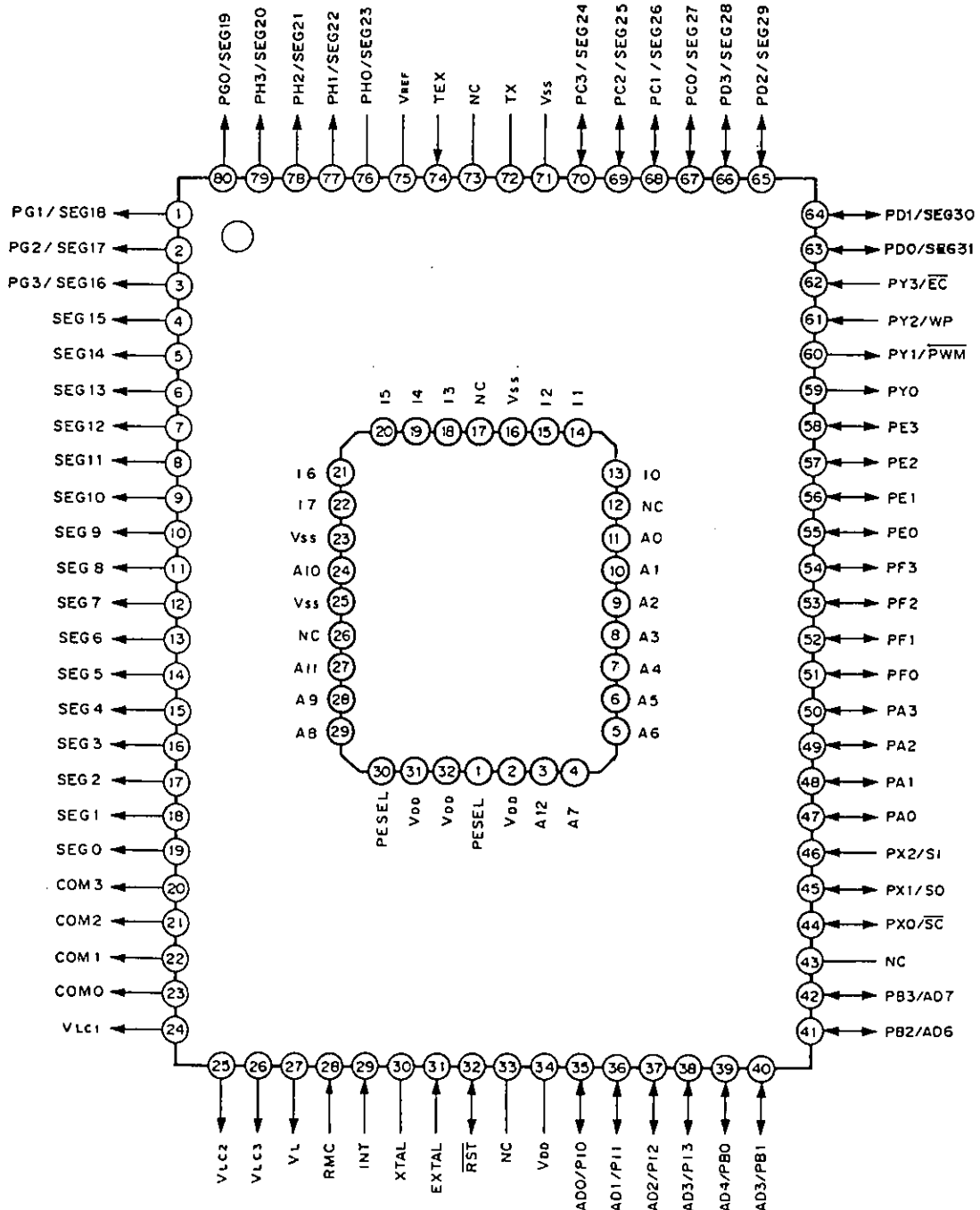
Silicon gate CMOS IC

Block Diagram

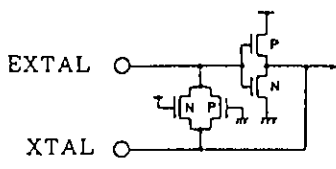
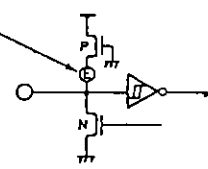
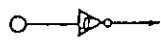
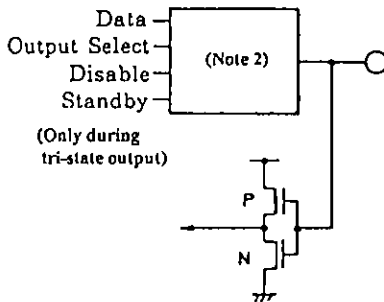


Pin Configuration Diagram (Top View)

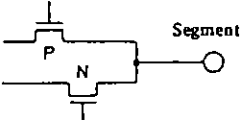
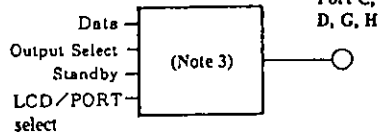
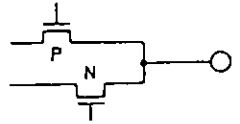
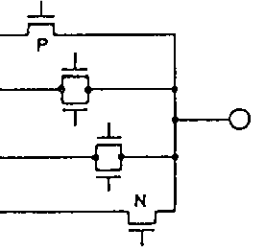
- Note** 1) PESEL pin serves to switch the I/O signal of the socket on top of the package from interface with the evaluator (Eva mode) to interface with EPROM (Piggyback mode). Setting PESEL pin to H level brings Eva mode to enable the connection with the evaluator. Setting it to L level brings piggy mode to enable the mounting of EPROM. For EVA, CAP-2 this switching is executed on the evaluator side. All there is to change is the plugging of EVACAP and EPROM otherwise no special measure is required.
- 2) Do not make any connections to NC pins.

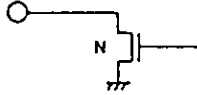
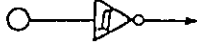
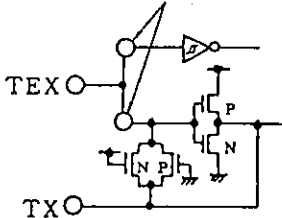


Pin Description

| Symbol | Name | I/O | Equivalent Circuit | Description |
|-------------------------|----------------------|-----|---|--|
| V _{DD} | Supply voltage | — | | Positive voltage supply pin |
| V _{SS} | Grounding voltage | — | | GND pin |
| EXTAL | Clock input | I |  | <p>Clock oscillation circuit input pin. Connect the crystal oscillator or ceramic resonator between the EXTAL and XTAL. To use an external clock input, connect the clock oscillation source to the EXTAL pin and open the XTAL pin.</p> |
| XTAL | Clock output | O | | |
| $\overline{\text{RST}}$ | Reset | I/O | <p>Mask option</p>  <p>Output pull-up resistor (P-ch Tr) N-ch Tr output Schmitt inverter input</p> | <p>Serves as the incorporated power-on reset circuit output pin. When inputting a reset signal from the outside, provide 2 instruction cycles or longer of an "L" level (OV).</p> |
| INT | External interrupt | I |  | <p>Serves as interrupt input pin. Permits the selection with a program of the edge and the level modes.</p> |
| RMC | Remote control input | I | | <p>Remote control receiver input pin</p> |
| PX2/SI | Port X Serial input | I | | <p>Schmitt inverter input</p> |
| PX1/SO | Port X Serial output | I/O |  <p>See Note 2) for the output circuit format. Inverter input</p> | <p>Doubles as a serial interface (8 bits) output pin and as bit "1" (input) of port X. (SO output possible to inhibit with the program.)</p> |

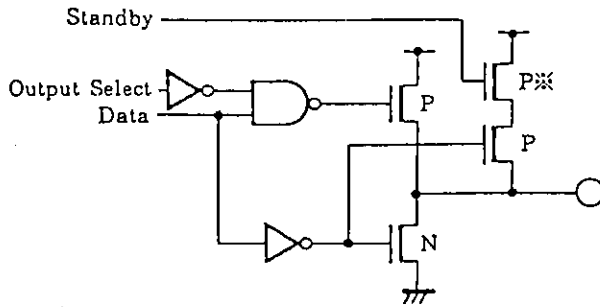
| Symbol | Name | I/O | Equivalent Circuit | Description |
|--|--------------------------------|-----|--|--|
| PX0/ \overline{SC} | Port X Serial clock | I/O | <p>(Only during tri-state output)</p> <p>See Note 2) for the output circuit format. Schmitt inverter input</p> | Doubles as clock input/output pin for the serial interface and as bit "0" (input) of port X. |
| PY3/ \overline{EC} | Port Y Event count input | I | | Doubles as event counter (8 bits) input pin and as bit "3" (input) of port Y. |
| PY2/ \overline{WP} | Port Y Wake-up input | I | Schmitt inverter input | Doubles as wake-up input pin to reset the standby state and as bit "2" (input) of port Y. |
| PY1/ \overline{PWM} | Port Y PWM generator output | O | | Doubles as PWM generator (14 bits) output pin and as bit "1" (output) of port Y. |
| PY0 | Port Y | O | See Note 1) for the output circuit format. | Output pin for bit "0" of port Y. |
| PA0 to PA3 | Port A | I/O | | This 4-bit input/output port permits its each individual bit to be programmed to serve either as input or output. For the output format, a tri-state and pull-up resistor possible to be programmed, and it is also used as the standby resetting pin. |
| PB0/ $\overline{AD4}$ to PB3/ $\overline{AD7}$ | Port B Analog voltage input | I/O | | This 4-bit input/output port has the functions that are equivalent to those of port A. It is also used for A/D converter input. |
| PE0 to PE3 | Port E | I/O | See Note 2) for the output circuit format. | This 4-bit input/output port permits its each individual port to be programmed to serve either as input or output. For the output format, a tri-state and pull-up resistor possible to be programmed. |
| PF0 to PF3 | Port F | I/O | Inverter input | This 4-bit input/output port has the functions that are equivalent to those of port E. |
| PI0/ $\overline{AD0}$ to PI3/ $\overline{AD3}$ | Port I Analog voltage input | I/O | | This 4-bit input/output port has the functions that are equivalent to those of port E. It is also used for A/D converter input. |

| Symbol | Name | I/O | Equivalent Circuit | Description |
|--------------------------------------|-----------------------------|-----|---|--|
| PD3/ SEG31 to PD0/ SEG28 | Port D Segment output | O |  | Doubles as a 4-bit output port (For the output format, the inverter and pull-up resistor possible to be programmed.) and as the segment signal output pin for LCD. |
| PC3/ SEG27 to PC0/ SEG24 | Port C Segment output | O | The transfer gate input signal is controlled based on 1/2, 1/3 bias methods in advance. | Doubles as a 4-bit output port (The output format is equivalent to port D.) and as the segment signal output pin for LCD. |
| PH3/ SEG23 to PH0/ SEG20 | Port H Segment output | O |  | Doubles as a 4-bit output port (The output format is equivalent to port D.) and as the segment signal output pin for LCD. (Possible to designate in bit units.) |
| PG3/ SEG19 to PG0/ SEG16 | Port G Segment output | O | See Note 3) for the output circuit format. | Doubles as a 4-bit output port (The output format is equivalent to port D.) and as the segment signal output pin for LCD. |
| SEG0 to SEG15 | Segment output | O |  The transfer gate input signal is controlled based on 1/3 bias method in advance. | Segment signal output pin for LCD |
| COM0 to COM3 | Common output | O |  Transfer gate output | Common signal output pin for LCD |

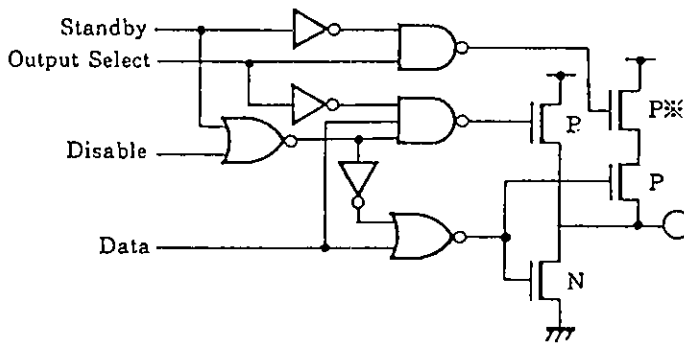
| Symbol | Name | I/O | Equivalent Circuit | Description |
|--|-------------------------|-----|---|---|
| V _{LC1} to V _{LC3} | Power supply for LCD | — | | Bias power supplying pin for LCD |
| V _L | Cut-off output | O |  | Control pin which cuts off the current input to the bias resistor for the external LCD during standby. |
| WP | Wake-up input | I |  Schmitt inverter input | It is the input pin to reset the standby mode, and reset by "1". |
| TEX | 32kHz T/C clock input | I |  Mask option | Input pin for 32kHz timer clock generation circuit. Connect the 32.768kHz crystal oscillator between TEX and TX. When using as the event clock input, connect the clock oscillating source to TEX pin, open TX pin. |
| TX | 32kHz T/C clock output | O | | Output of clock generation circuit |
| V _{REF} | Reference voltage input | I | | Reference voltage input for power supply voltage resetting circuit. Connect the zener diode normally. |

For all output ports, the output states of ports during standby possible to be programmed the state holding before standby or the change to the high impedance.
 When the pull-up resistor is selected, it becomes a pulled-up state even it is input port.
 During standby, it is impossible to change to the high impedance of PY0 and PY1 in the inverter output state. To change to the high impedance, select the pull-up resistor output, and then set to the high level output ("1" state).

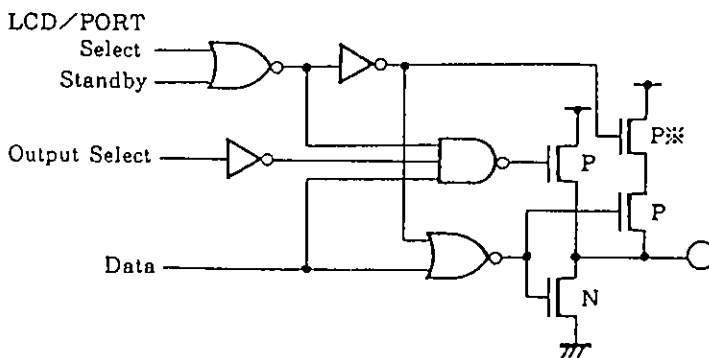
- Note 1)** Possible to select out of the following two ways for the output circuit format.
 (port units : programmable)
 (a) Inverter output
 (b) Pull-up resistor output



- Note 2)** Possible to select out of the following two ways for the output circuit format.
 (port units : programmable)
 (a) Tri-state output
 (b) Pull-up resistor output



- Note 3)** Possible to select out of the following two ways for the output circuit format.
 (port units : programmable)
 (a) Inverter output
 (b) Pull-up resistor output



※As the output pull-up resistor is CMOS pull-up output of about 10kΩ, the pull-up resistor becomes OFF state during "L" output.

Absolute Maximum Ratings

Ta = -20°C to +75°C, Vss = 0V

| Item | Symbol | Rating | Unit | Remarks |
|---------------------------------|--|------------------|------|---------------------------------|
| Power supply voltage | V _{DD} | - 0.3 to + 7.0 | V | |
| LCD bias voltage | V _{LC1} , V _{LC2} , V _{LC3} | - 0.3 to + 7.0*1 | V | |
| Input voltage | V _{IN} | - 0.3 to + 7.0*1 | V | |
| Output voltage | V _{OUT} | - 0.3 to + 7.0*1 | V | |
| High level output current | I _{OH} | - 5 | mA | General purpose port*2: per pin |
| High level total output current | Σ I _{OH} | - 50 | mA | Entire pins total |
| Low level output current | I _{OL} | 15 | mA | General purpose port*2: per pin |
| | I _{OLC} | 20 | mA | High current port*3: per pin |
| Low level total output current | Σ I _{OL} | 100 | mA | Entire pins total |
| Operating temperature | T _{opr} | - 20 to + 75 | °C | |
| Storage temperature | T _{stg} | - 55 to + 150 | °C | |
| Allowable power dissipation | P _D | 600 | mW | |

Note) Usage exceeding absolute maximum ratings may permanently impair the LSI. Normal operation should better take place under the recommended operation conditions. Exceeding those conditions may adversely affect the reliability of the LSI.

*1) V_{LC1}, V_{LC2}, V_{LC3}, V_{IN} and V_{OUT} should not exceed V_{DD} + 0.3V.

*2) Specifies the output current of the general purpose I/O port PA to PI, SO, \overline{SC} , PY0 and PY1.

*3) The high current operation transistors are the N-CH transistors of the PC and PD ports.

Recommended Operating Condition

Vss = 0V

| Item | Symbol | Min. | Max. | Unit | Remarks |
|--------------------------|---|----------------------|----------------------|------|--|
| Power supply voltage | V _{DD} | 4.5 | 5.5 | V | Guaranteed range of operation by EXTAL clock |
| | | 2.5 | 5.5 | V | Guaranteed range of operation by TEX clock, guaranteed range of data hold during STOP. |
| LCD bias voltage | V _{LC1} , V _{LC2} , V _{LC3} | V _{SS} | V _{DD} | V | Liquid crystal power supply range*1 |
| High level input voltage | V _{IH} | 0.7V _{DD} | V _{DD} | V | |
| | V _{IHS} | 0.8V _{DD} | V _{DD} | V | Hysteresis input*2 |
| | V _{IHEX} | V _{DD} -0.4 | V _{DD} +0.3 | V | EXTAL pin*3 |
| Low level input voltage | V _{IL} | 0 | 0.3V _{DD} | V | |
| | V _{ILS} | 0 | 0.2V _{DD} | V | Hysteresis input*2 |
| | V _{ILEX} | - 0.3 | 0.4 | V | EXTAL pin*3 |
| Operating temperature | T _{opr} | - 20 | + 75 | °C | |

*1) The optimum value is determined by the characteristics of the liquid crystal display element used.

*2) The TEX pin when the counter mode is selected by each of INT, RMC, PX0, PX2, PY2, PY3, \overline{RST} pins and mask option.

*3) Specified only during external clock input.

Electrical Characteristics

DC characteristics

Ta = -20°C to +75°C, Vss = 0V

| Item | Symbol | Pin | Condition | Min. | Typ. | Max. | Unit | |
|---|--------|---|---|------|------|------|------|----|
| High level output voltage | VOH | PA to PI*1 PX0, PX1 PY0, PY1 VL (VOL only) RST (VOL only) PC*1, PD*1 | VDD = 4.5V, IOH = -0.5mA*2 | 4.0 | | | V | |
| | | | VDD = 4.5V, IOH = -1.0mA*2 | 3.5 | | | V | |
| | | | VDD = 4.5V, IOH = -10 µA*3 | 4.0 | | | V | |
| | | | VDD = 4.5V, IOH = -200 µA*3 | 2.4 | | | V | |
| Low level output voltage | VOL | | VDD = 4.5V, IOL = 1.8mA | | | 0.4 | V | |
| | | | VDD = 4.5V, IOL = 3.6mA | | | 0.6 | V | |
| | | | VDD = 4.5V, IOL = 12mA | | | 1.5 | V | |
| Input current | IiHE | EXTAL | VDD = 5.5V, VIH = 5.5V | 0.5 | | 40 | µA | |
| | IiLE | | VDD = 5.5V, VIL = 0.4V | -0.5 | | -40 | µA | |
| | IiHT | TEX*4 | VDD = 5.5V, VIH = 5.5V | 0.1 | | 10 | µA | |
| | IiLT | | | -0.1 | | -10 | µA | |
| | IiLR | RST *5 | VDD = 5.5V, VIL = 0.4V | | -1.5 | | -400 | µA |
| | IiL | PA*6, PB*6, PE*6, PF*6, PI*6, PX0*6, PX1*6, PX2*8, PY0*7, PY1*7, PY2*8, PY3*8, INT*8, RMC*8, RST *5, TEX*4 | | | | | ±10 | µA |
| High impedance I/O leakage current | IIZ | | VDD = 5.5V | | | ±10 | µA | |
| Common output impedance | RCOM | COM0 to COM3 | VDD = 5V VLC1 = 3.75V | | 3 | 5 | kΩ | |
| Segment output impedance | RSEG | SEG0 to SEG15 SEG16 to SEG31*1 | VLC2 = 2.5V VLC3 = 1.25V | | 5 | 15 | kΩ | |
| Supply current*9 | IDD1 | VDD | Entire output pins open | | | | | |
| | | | Crystal oscillation (C1 = C2 = 27pF) of VDD = 5.5V, 4.19MHz | | 7 | 20 | mA | |
| | | | Crystal oscillation (C1 = C2 = 47pF) of VDD = 3V, 32kHz | | 50 | 250 | µA | |
| | | | SLEEP mode | | | | | |
| | | | VDD = 5.5V, 4.19MHz oscillation | | 5 | 12 | mA | |
| | | | VDD = 3V, 32kHz oscillation | | 40 | 200 | µA | |
| | | | STOP mode | | | | | |
| VDD = 3V, 32kHz with T/C | | 7 | 40 | µA | | | | |
| VDD = 5.5V, 32kHz without T/C (For mask option select counter, Pin is fixed.) | | | | 10 | µA | | | |
| Input capacity | CIN | Other than VLC1 to VLC3, COM0 to COM3, SEG0 to SEG15, SEG16 to SEG31*1, Vss, VDD pins | Clock 1MHz 0V other than the measured pins | | 10 | 20 | pF | |

- *1) The PC, PD, PG and PH show when the combined pins are selected as the port, and SEG16 to SEG31 show when the combined pins are selected as the segment output.
- *2) It is when the respective pins of PA to PI, PX0 and PX1 select the tri-state output circuit, and PY0 and PY1 are when the inverter output circuit is selected.
- *3) It is when the respective pins of PA to PI, PX0, PX1, PY0 and PY1 select the pull-up resistor.
- *4) The TEX pin specifies the input current when the crystal oscillation is selected by the mask option, and specifies the leakage current when the schmitt input is selected.
- *5) The $\overline{\text{RST}}$ pin specifies the input current when the pull-up resistor is selected, and specifies leakage current when non-resistor is selected.
- *6) The respective pins of PA, PB, PE, PF, PI, PX0 and PX1 specify the input current when the pull-up resistor is selected, and specify the leakage current when the port state during using the tri-state output circuit or standby is selected at high impedance.
- *7) The respective pins of PY0 and PY1 specify the input current when the pull-up resistor is selected, and specify the leakage current when in the port state during standby is selected at high impedance.
- *8) The respective pins of PX2, PY2, PY3, INT and RMC only specify the leakage current.
- *9) However, except for EPROM power supply current.

AC Characteristics

(1) Clock timing

$T_a = -20^\circ\text{C}$ to $+75^\circ\text{C}$, $V_{DD} = 4.5\text{V}$ to 5.5V , $V_{SS} = 0\text{V}$

| Item | Symbol | Pin | Condition | Min. | Typ. | Max. | Unit |
|--|----------------------|------------------------|---|-------------------------|--------|------|---------------|
| System clock frequency | f_c | XTAL EXTAL | Fig. 1, Fig. 2 | 1 | | 5 | MHz |
| System clock input pulse width | t_{XL} t_{XH} | EXTAL | Fig. 1, Fig. 2 (External clock drive) | 90 | | | ns |
| System clock input rising and falling times | t_{CR} t_{CF} | | | | | 200 | ns |
| System clock frequency | f_{cs} | TEX*2 TX | $V_{DD} = 2.5$ to 5.5V Fig. 2 | | 32.768 | | kHz |
| Event count clock input pulse width | t_{EL} t_{EH} | $\overline{\text{EC}}$ | Fig. 3 | t_{sys} *1 $+0.05$ | | | μs |
| Event count clock input rising and falling times | t_{ER} t_{EF} | $\overline{\text{EC}}$ | Fig. 3 | | | 20 | ms |
| Event count input clock input pulse width | t_{TL} t_{TH} | TEX*3 | Fig. 3 | 10 | | | μs |
| Event count input clock rising and falling times | t_{TR} t_{TF} | TEX*3 | Fig. 3 | | | 20 | ms |

*1) t_{sys} in the EXTAL input clock is $8/f_c$

t_{sys} in the TEX input clock is $4/f_{cs}$

*2) Specified when the crystal oscillation mode is selected by the mask option.

*3) Specified when the counter mode is selected by the mask option.

Note) When adjusting the frequency accurately, there may be cases in which they may differ from Fig. 2.

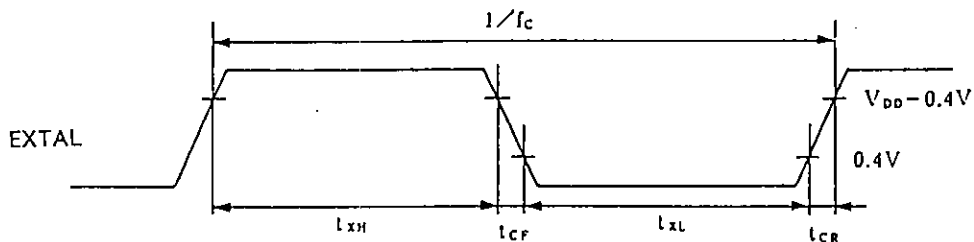


Fig. 1 Clock timing

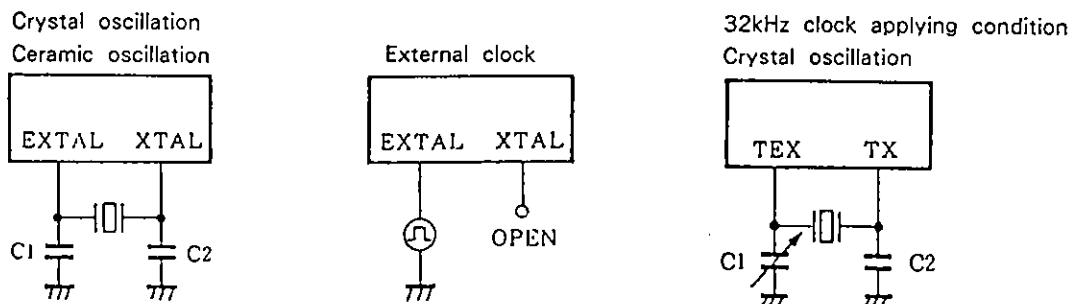


Fig. 2 Clock applying condition

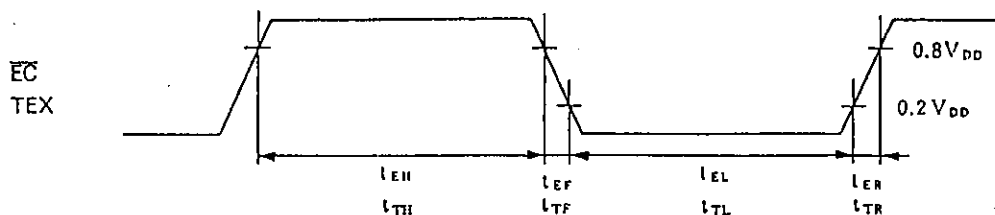


Fig. 3 Event count clock timing

(2) Serial transfer

Ta = -20°C to +75°C, V_{DD} = 4.5V to 5.5V, V_{SS} = 0V

| Item | Symbol | Pin | Condition | Min. | Max. | Unit |
|---|------------|-----------------|-----------------------------|--------------------|-------------------|---------|
| Serial transfer clock (\overline{SC}) cycle time | tkcy | \overline{SC} | Input mode | $t_{sys}/4 + 1.42$ | | μs |
| | | | Output mode | $2t_{sys}$ | | μs |
| Serial transfer clock (\overline{SC}) high and low level widths | tkH tkL | \overline{SC} | Input mode | $t_{sys}/8 + 0.7$ | | μs |
| | | | Output mode* ¹ | $t_{sys} - 0.1$ | | μs |
| | | | Output mode* ² | $t_{sys} - 1.6$ | | μs |
| Serial data input setup time (against \overline{SC} ↑) | tsik | SI | \overline{SC} input mode | 0.1 | | μs |
| | | | \overline{SC} output mode | 0.2 | | μs |
| Serial data input hold time (against \overline{SC} ↑) | tkSI | SI | \overline{SC} input mode | $t_{sys}/8 + 0.5$ | | μs |
| | | | \overline{SC} output mode | 0.1 | | μs |
| High data delay time from \overline{SC} falling* ³ | tkSO | SO | | | $t_{sys}/8 + 0.5$ | μs |
| High data delay time from \overline{SC} falling* ⁴ | tkSO | SO | | | $t_{sys}/8 + 1.6$ | μs |
| Low data delay time from \overline{SC} falling | tkSO | SO | | | $t_{sys}/8 + 0.5$ | μs |

Note 1) t_{sys} in the EXTAL input clock is 8/f_c. (It is impossible to use in TEX input clock.)

2) The Load of data output delay is 50pF + 1TTL

*1) It is specified when PX0/ \overline{SC} pin is selected to the tri-state output by the program.

*2) It is specified when PX0/ \overline{SC} pin is selected to the pull-up resistance by the program.

As the t_{sys} receives restriction by this item, take notice that it limits the upper limit of the system clock frequency f_c.

*3) This item is specified when PX1/ \overline{SO} pin is selected to the tri-state output by the program.

*4) This item is specified when PX1/ \overline{SO} pin is selected to the pull-up resistance by the program.

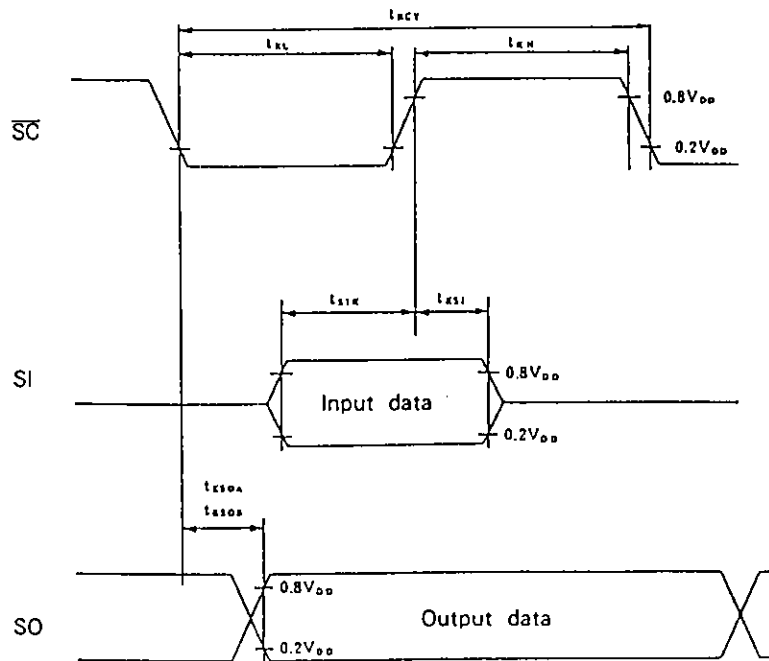


Fig. 4 Serial transfer timing

(3) A/D converter

$T_a = -20^\circ\text{C}$ to $+75^\circ\text{C}$, $V_{SS} = 0\text{V}$

| Analog input voltage | Pin | Condition | Digital conversion value |
|----------------------|------------------|----------------------|--------------------------|
| 0.0 to 0.33V | AD0 to AD7 | $V_{DD} = 5\text{V}$ | 000 |
| 0.82 to 1.29V | | | 001 |
| 1.78 to 2.21V | | | 010 |
| 2.69 to 3.06V | | | 011 |
| 3.56 to 4.06V | | | 100 |
| 4.62 to 5.0V | | | 101 |

Note) The digital conversion value are the values when AB_H address of the RAM file 1 in the program are read.

(4) Power Supply Voltage Detection Reset Function

$T_a = -20^\circ\text{C}$ to $+75^\circ\text{C}$, $V_{SS} = 0\text{V}$

| Item | Symbol | Pin | Condition | Min. | Typ. | Max. | Unit |
|--|------------|----------|--|------|------|------|------|
| Power supply voltage detection reset function of operation voltage range | V_{LPOP} | V_{DD} | Voltage range allowing system operation (32kHz system operation below $V_{DD} = 4.5\text{V}$) | 2.5 | | 5.5 | V |
| Power supply voltage drop detection function | V_{POP} | V_{DD} | When V_{REF} pin voltage is 3.3V Flag set when voltage drops System reset when voltage rises | 3.8 | 4.0 | 4.2 | V |

The graph in Fig. 5 shows the relationship between the power supply voltage V_{DD} and reference voltage V_{REF} of the power supply voltage detection reset function.

Note) The graph in Fig. 5 serves as guide to the function operation area obtained using average devices.
Individual adjustment is needed when Zener diodes, etc., are connected to the V_{REF} pin.

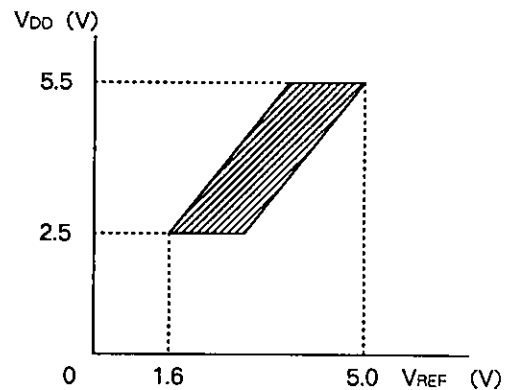


Fig. 5 Power supply voltage detection reset function chart

(5) Others

Ta = -20°C to +75°C, VDD = 4.5V to 5.5V, VSS = 0V

| Item | Symbol | Pin | Condition | Min. | Max. | Unit |
|---|-------------------------------------|------------|----------------------------|-------------------------|------|------|
| External interruption high and low level widths | t _{I1H} , t _{I1L} | INT | During edge detection mode | t _{sys} + 0.05 | | μs |
| Reset input low level width | t _{RSL} | RST | | 2t _{sys} *1 | | μs |
| Wake-up input high level width | t _{WPH} | WP | STOP mode | 500 | | ns |
| | | | SLEEP mode | t _{sys} + 0.05 | | μs |
| Wake-up input low level width | t _{WPL} | PA0 to PA3 | STOP mode | 500 | | ns |
| | | | SLEEP mode | t _{sys} + 0.05 | | μs |

Note) t_{sys} in the EXTAL input clock is 8/fc
 t_{sys} in the TEX input clock is 4/fcs

*1) For resetting when operating in TEX input clock, hold the low level more than the oscillation stabilizing time of EXTAL input clock.

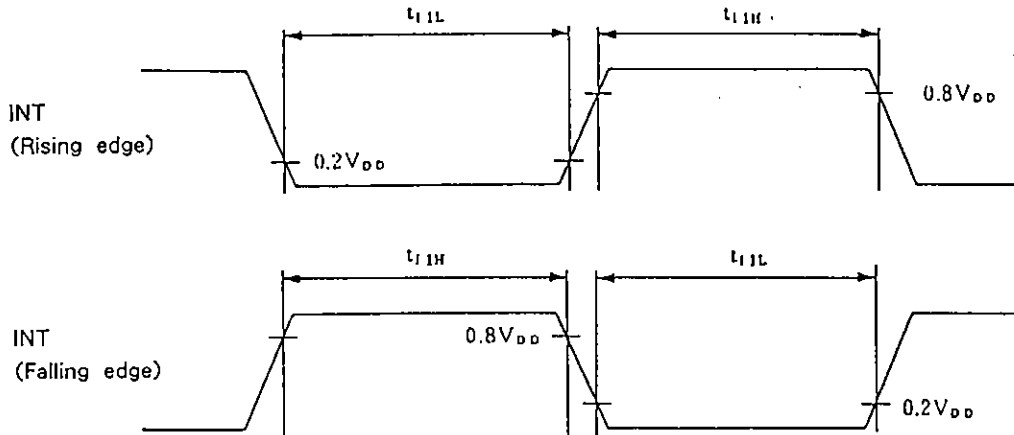


Fig. 6 Interruption input timing

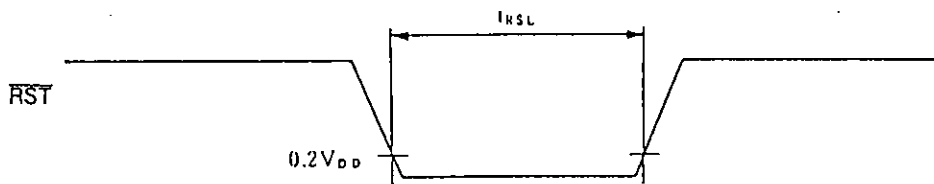


Fig. 7 Reset input timing

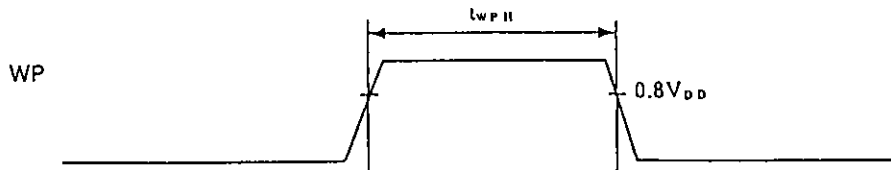


Fig. 8 Wake-up input timing

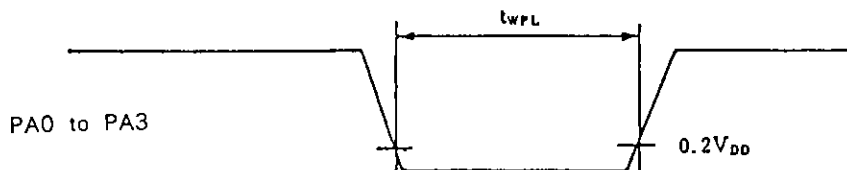


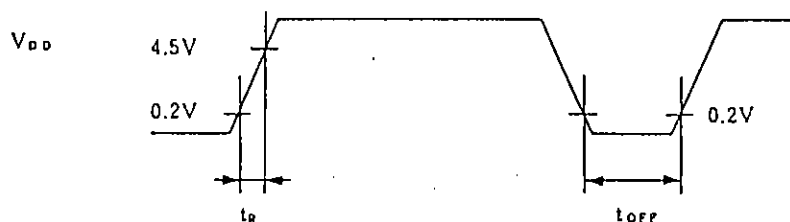
Fig. 9 Wake-up input timing

Power on reset *

Ta = -20°C to +75°C, Vss = 0V

| Item | Symbol | Pin | Condition | Min. | Max. | Unit |
|---------------------------|------------------|-----------------|---------------------------|------|------|------|
| Power supply rising time | t _R | V _{DD} | Power on reset | 0.05 | 50 | ms |
| Power supply cut-off time | t _{OFF} | | Repetitive power on reset | 1 | | ms |

* Specifies only when power on reset function is selected.



The power supply should rise smoothly.

Fig. 10 Power on reset

Notes on Application

See Fig. 11, Additive capacity calculation chart, when using the crystal oscillator and select the appropriate capacity.

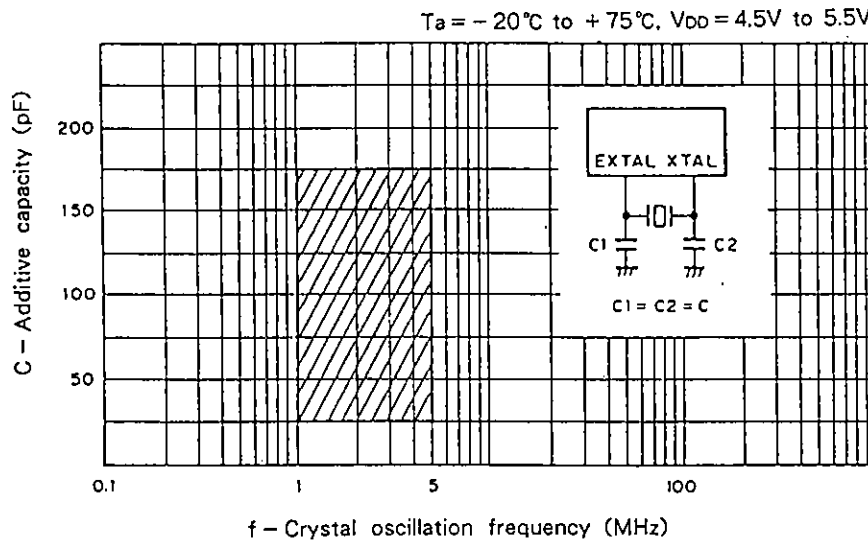


Fig. 11 Crystal oscillation circuit additive capacity calculation chart

Note) The above chart shows a range in which the average quartz resonator has a relatively fast oscillation rising edge and stable characteristics. The capacity should be selected to correspond to the appropriate constant for each quartz resonator, should the frequency of the quartz resonator be accurately adjusted,

Fig. 12 shows an example of a circuit which can accurately adjust the frequency. Used here a crystal with 12pF equivalent (CL).

Although C1 and C2 become out of the recommended range in this case, such a crystal oscillator can be used.

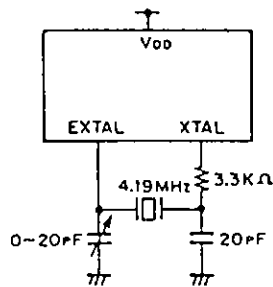


Fig. 12 Frequency adjustment circuit

When using the A/D converter as the key input, it is recommended that the circuit structure shown in Fig. 13 be used.

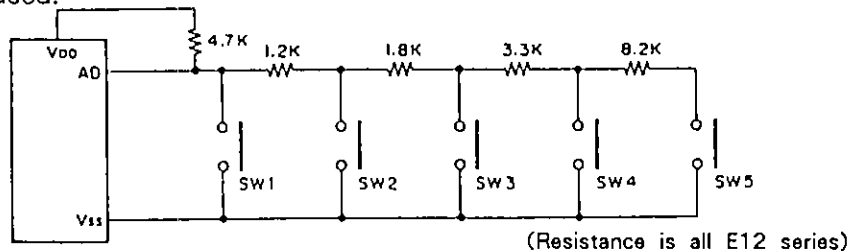


Fig. 13 Recommended example of key circuit by A/D converter

EPROM read timing

$T_a = -20^{\circ}\text{C}$ to $+75^{\circ}\text{C}$, $V_{DD} = 4.5$ to 5.5V , $V_{SS} = 0\text{V}$

| Item | Symbol | Pin | Min. | Max. | Unit |
|-------------------------------|-----------|---------------------|------|------|------|
| Address→data input delay time | t_{ACC} | A0 to A12, I0 to I7 | | 300 | ns |
| Address→input holding time | t_{IH} | A0 to A12, I0 to I7 | 0 | | ns |

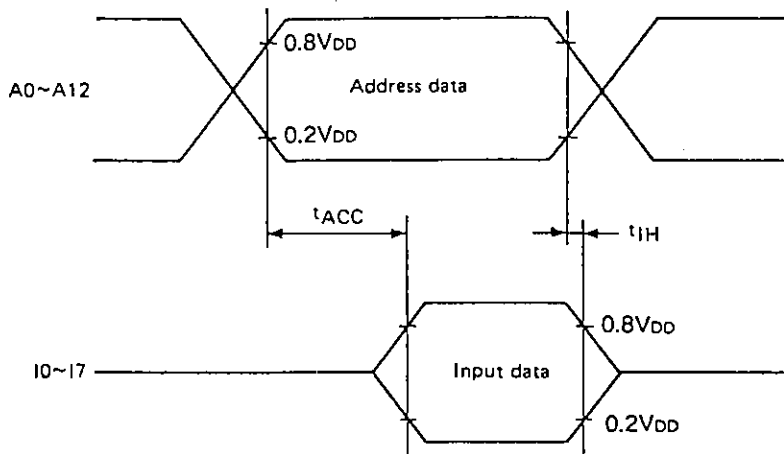


Fig. 14 EPROM timing

Products List

| Optional item | Mass product | CXP5070HU01AQ |
|-------------------------------------|-----------------------|--------------------|
| Package | 80-pin plastics QFP | 80-pin ceramic QFP |
| ROM capacity | 8K-byte/6K-byte | EPROM 8K-byte |
| Pull-up resistance of reset pin | Existent/non-existent | Existent |
| Incorporated power on reset circuit | Existent/non-existent | Existent |
| 32kHz timer/counter | Timer/Counter | Timer mode |

Note) All the piggyback/evaluator is combined chips.

For EVA CAP other than EVA CAP-2, execute the piggyback/EVA switching through the PESEL pin of PIN 43.

Usage Instruction

CXP5070's piggyback/EVA switching is executed as shown in the diagram. Particular care is needed as reverse plugging is required.

