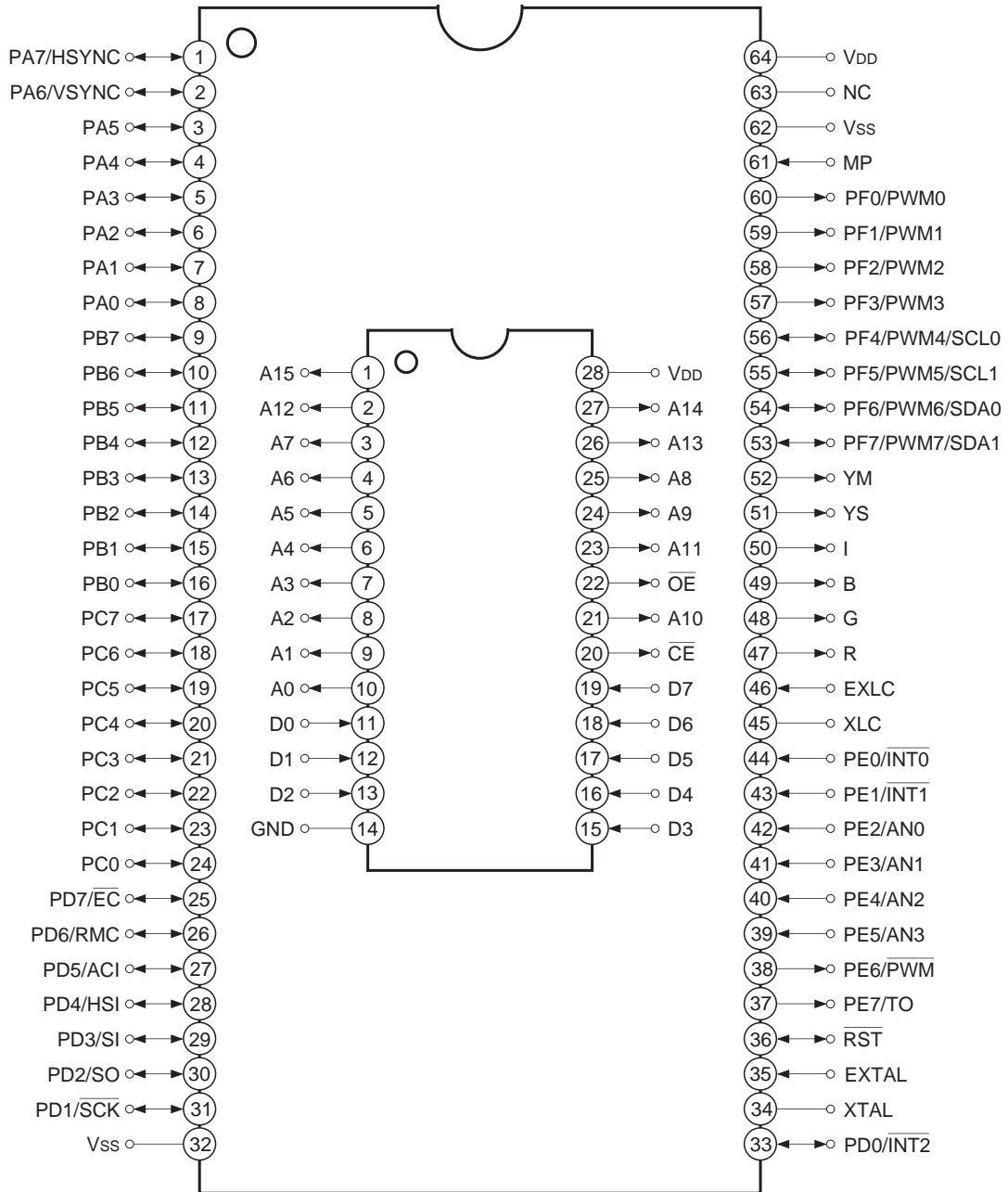




CXP85300A

Pin Assignment: Piggyback mode 1

(Top View) 64 pin PSDIP Package

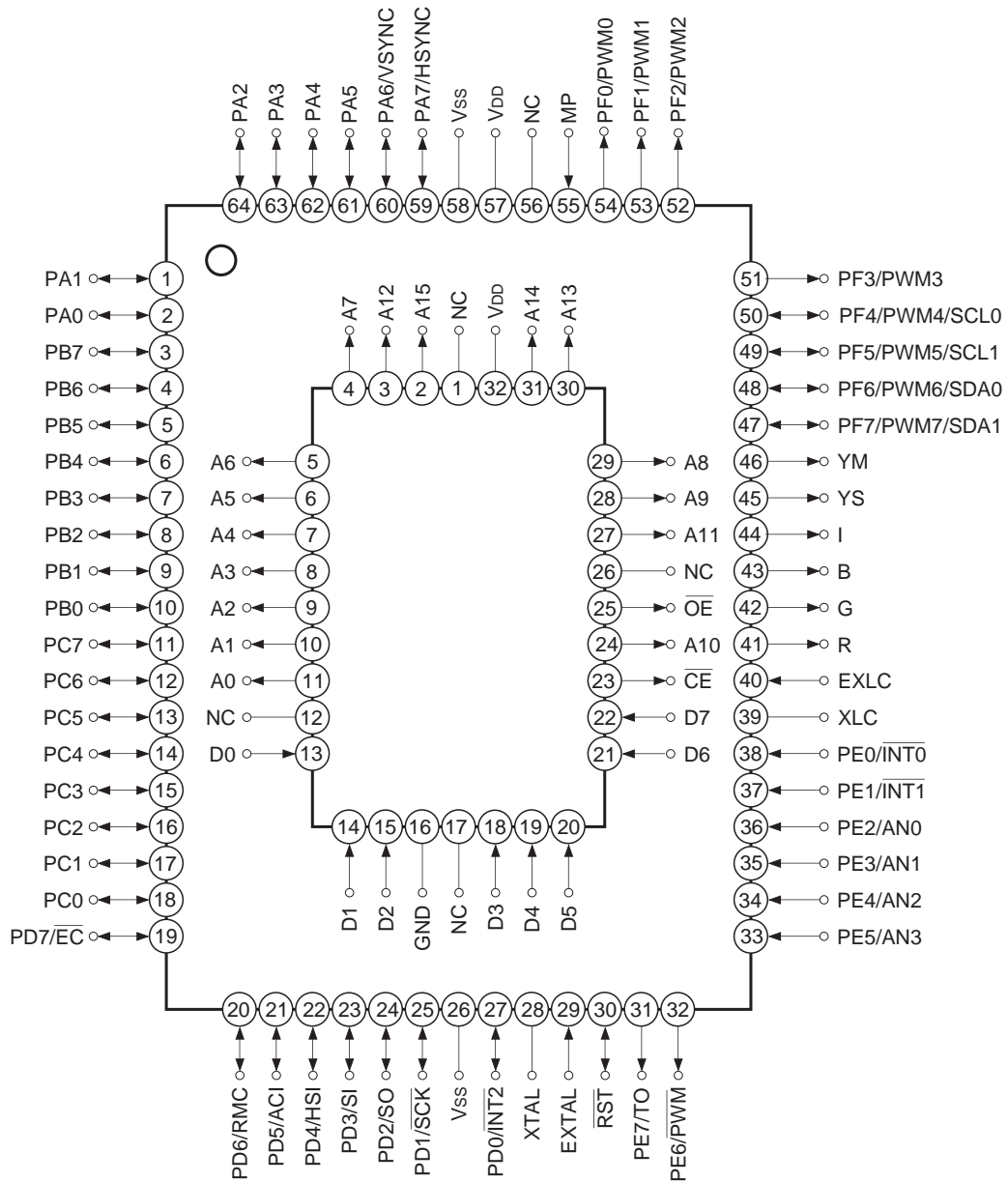


- Note)**
1. NC (Pin 63) is always connected to VDD.
  2. Vss (Pins 32 and 62) are always connected to GND.
  3. MP (Pin 61) is always connected to GND.

CXP85300A

Pin Assignment: Piggyback mode 2

(Top View) 64 pin PQFP Package

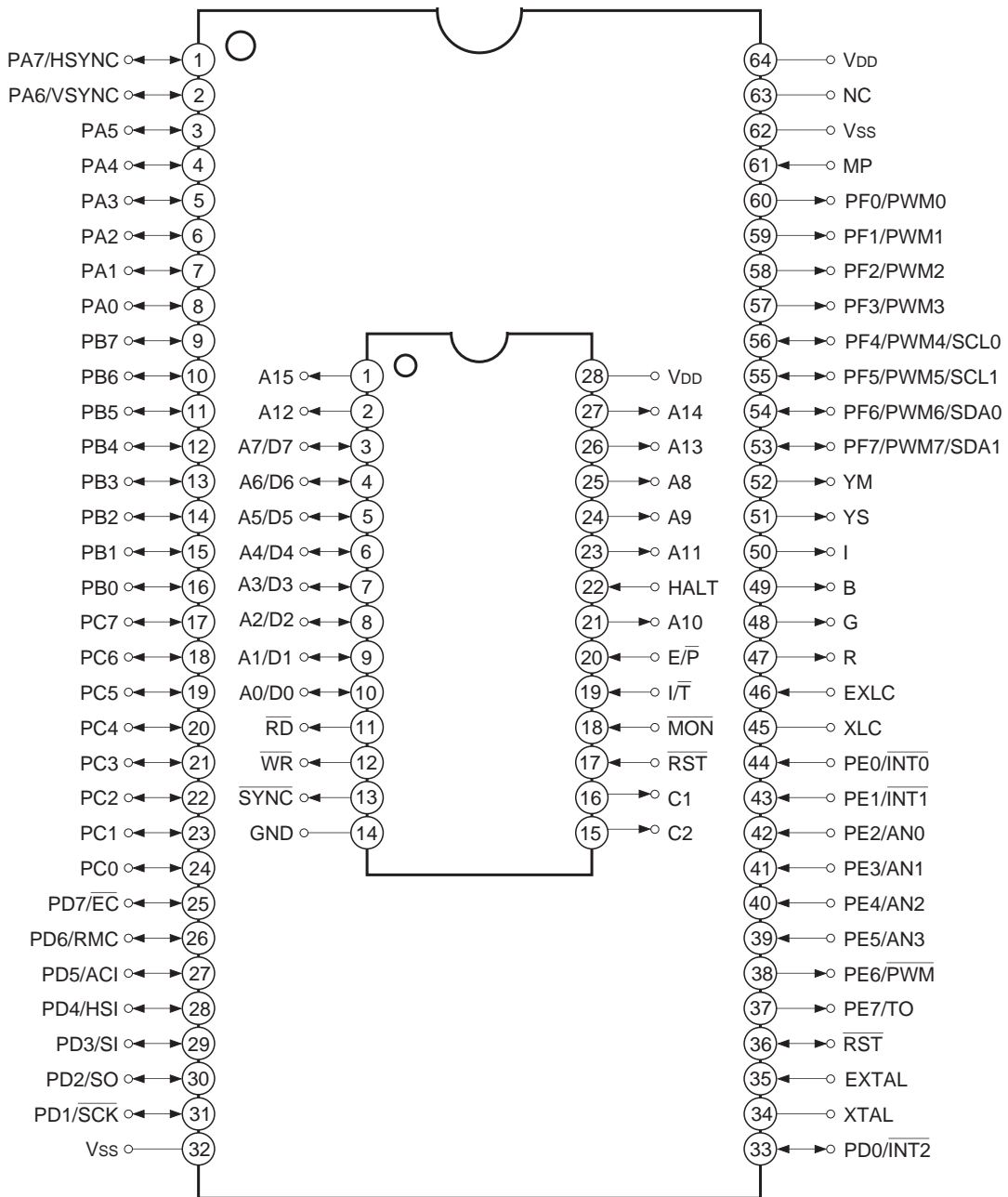


- Note)**
1. NC (Pin 56) is always connected to VDD.
  2. Vss (Pins 26 and 58) are always connected to GND.
  3. MP (Pin 55) is always connected to GND.

CXP85300A

Pin Assignment: Evaluator Mode 1

(Top View) 64 pin PSDIP Package

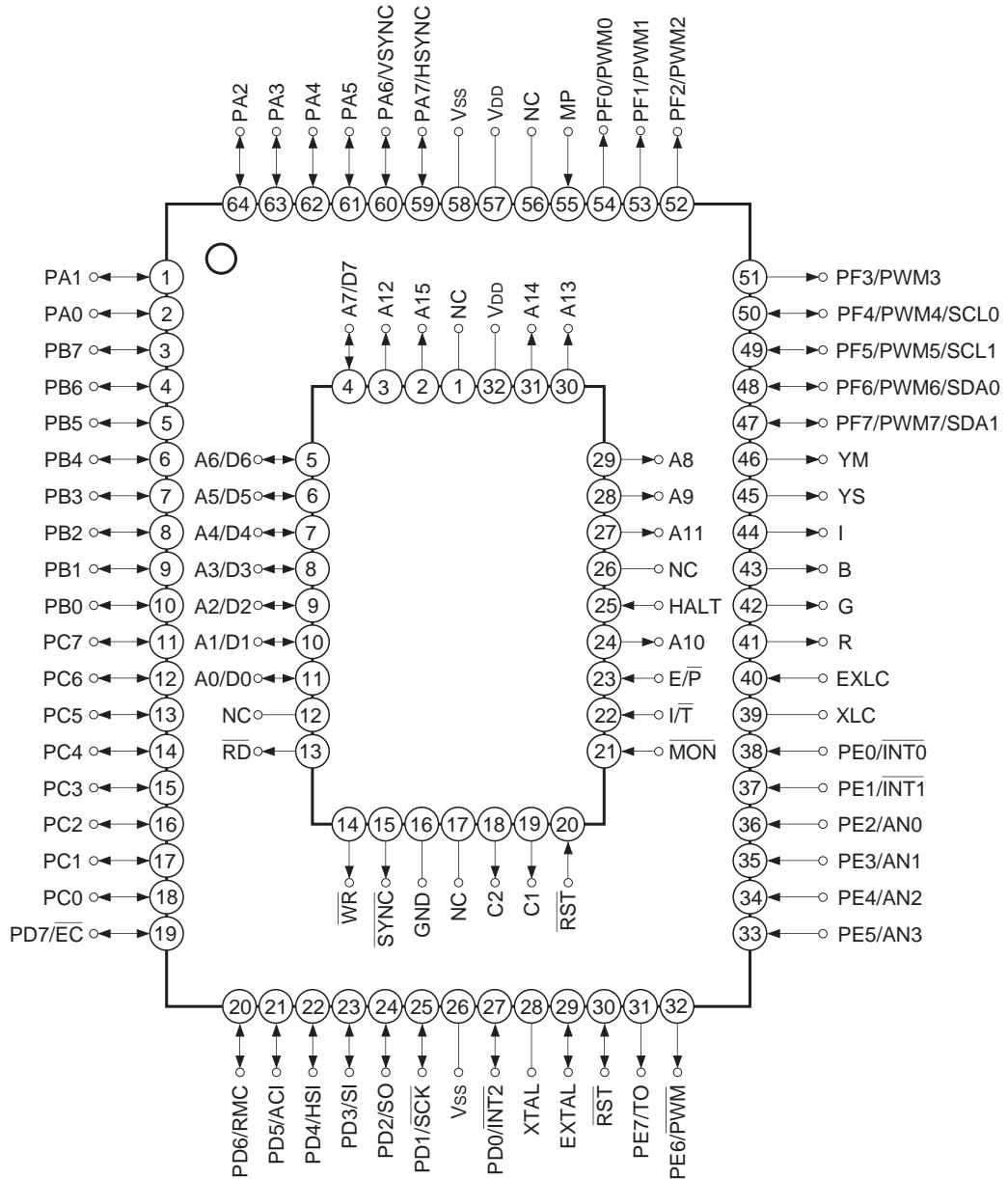


- Note)**
1. NC (Pin 63) is always connected to VDD.
  2. Vss (Pins 32 and 62) are always connected to GND.
  3. MP (Pin 61) is always connected to GND.

CXP85300A

Pin Assignment: Evaluator Mode 2

(Top View) 64 pin PQFP Package

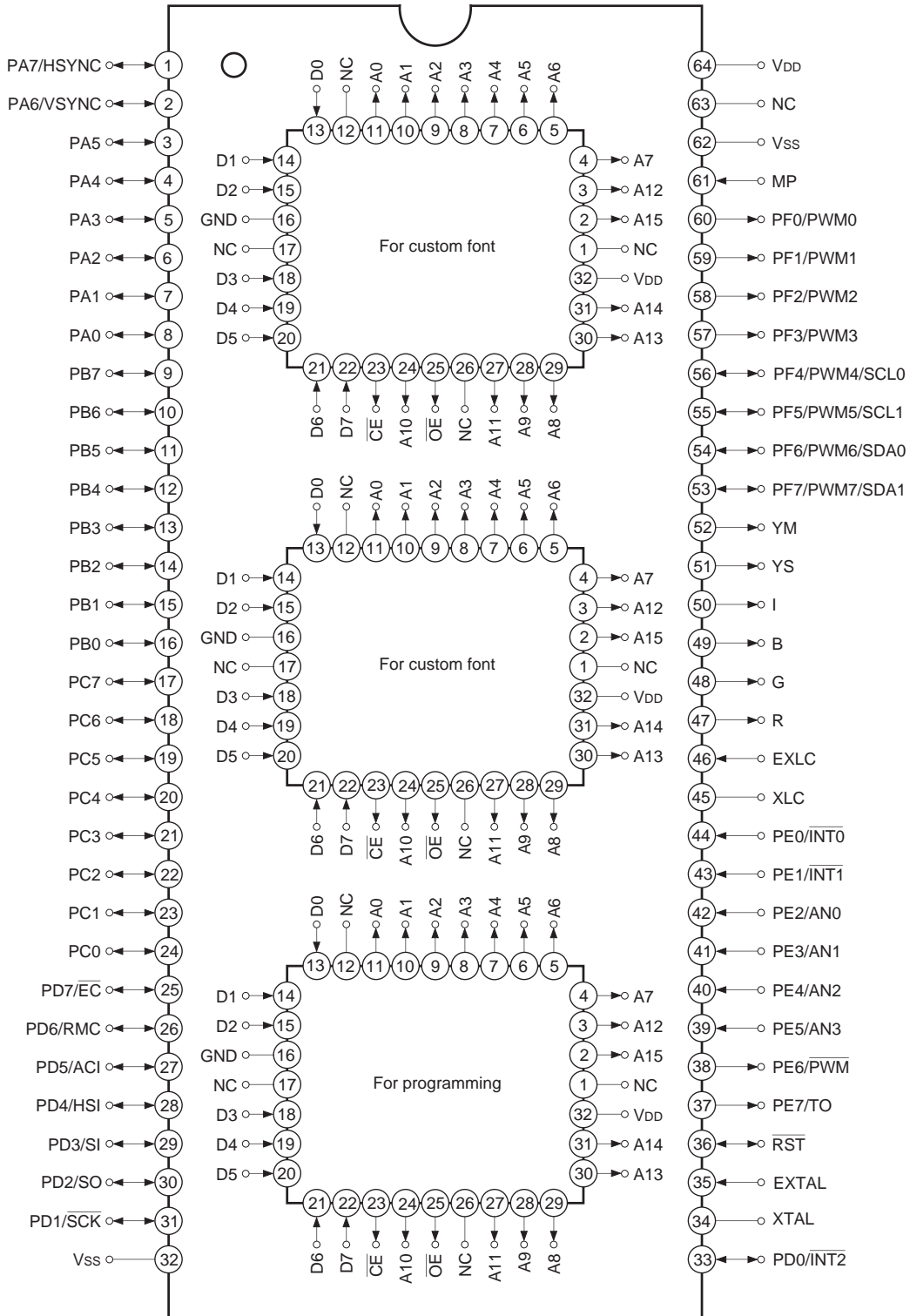


- Note)**
1. NC (Pin 56) is always connected to VDD.
  2. Vss (Pins 26 and 58) are always connected to GND.
  3. MP (Pin 55) is always connected to GND.

CXP85390A

Pin Assignment: Piggyback Mode

(Top View) 64 pin PSDIP Package

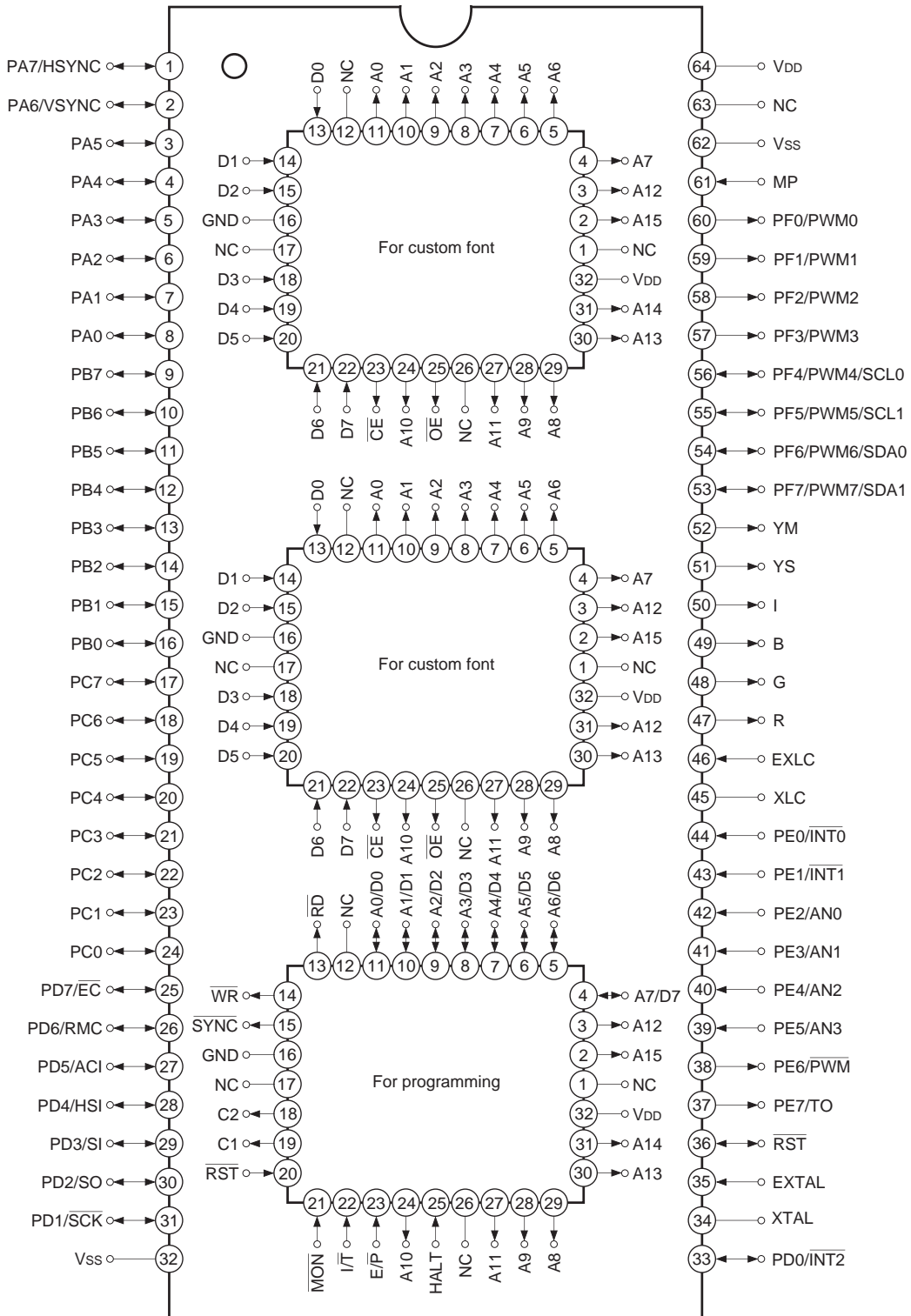


- Note)**
1. NC (Pin 63) is always connected to V<sub>DD</sub>.
  2. V<sub>SS</sub> (Pins 32 and 62) are always connected to GND.
  3. MP (Pin 61) is always connected to GND.

CXP85390A

Pin Assignment: Evaluator Mode

(Top View) 64 pin PSDIP Package



- Note)**
1. NC (Pin 63) is always connected to VDD.
  2. Vss (Pins 32 and 62) are always connected to GND.
  3. MP (Pin 61) is always connected to GND.

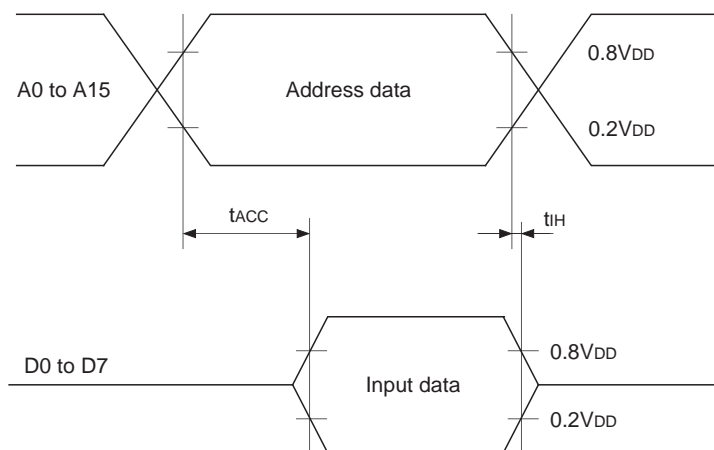
**EPROM Read Timing**

( $T_a = -20$  to  $+75^\circ\text{C}$ ,  $V_{DD} = 4.5$  to  $5.5\text{V}$ ,  $V_{SS} = 0\text{V}$ )

Item	Symbol	Pin	Min.	Max.	Unit
Address → data input delay time	$t_{ACC}$	A0 to A15 D0 to D7		150*1	ns
				250*2	
Address → data hold time	$t_{IH}$	A0 to A15 D0 to D7	0		ns

\*1 Oscillator clock 8MHz version

\*2 Oscillator clock 4MHz version



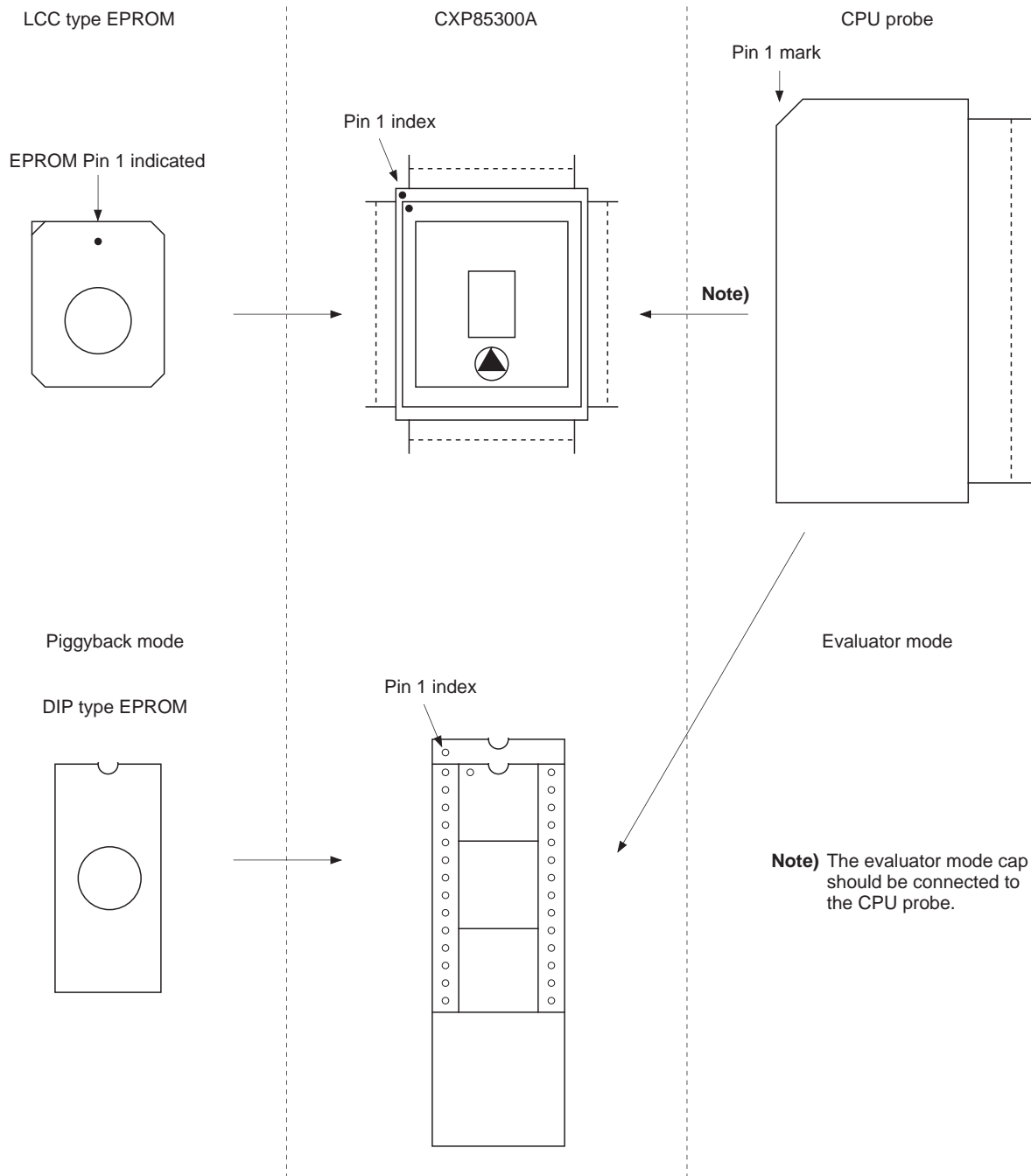
**Product List**

Optional item	Product						
	Mask			Piggyback/evaluator			
	CXP85324A	CXP85332A	CXP85340A	CXP85300A-U02S CXP85300A-U02Q	CXP85300A-U03S CXP85300A-U03Q	CXP85390A-U02S	CXP85390A-U03S
Package	64 pin plastic SDIP/QFP			64 pin ceramic PSDIP/PQFP		64 pin ceramic PSDIP	
Oscillator clock	4MHz/8MHz			4MHz	8MHz	4MHz	8MHz
ROM capacity	24K bytes	32K bytes	40K bytes	EPROM 40K bytes			
Reset pin pull-up resistor	Existent/Non existent			Existent			
Power-on reset circuit	Existent/Non existent			Existent			
Font data	User data			Fixed		EPROM 16K bytes	



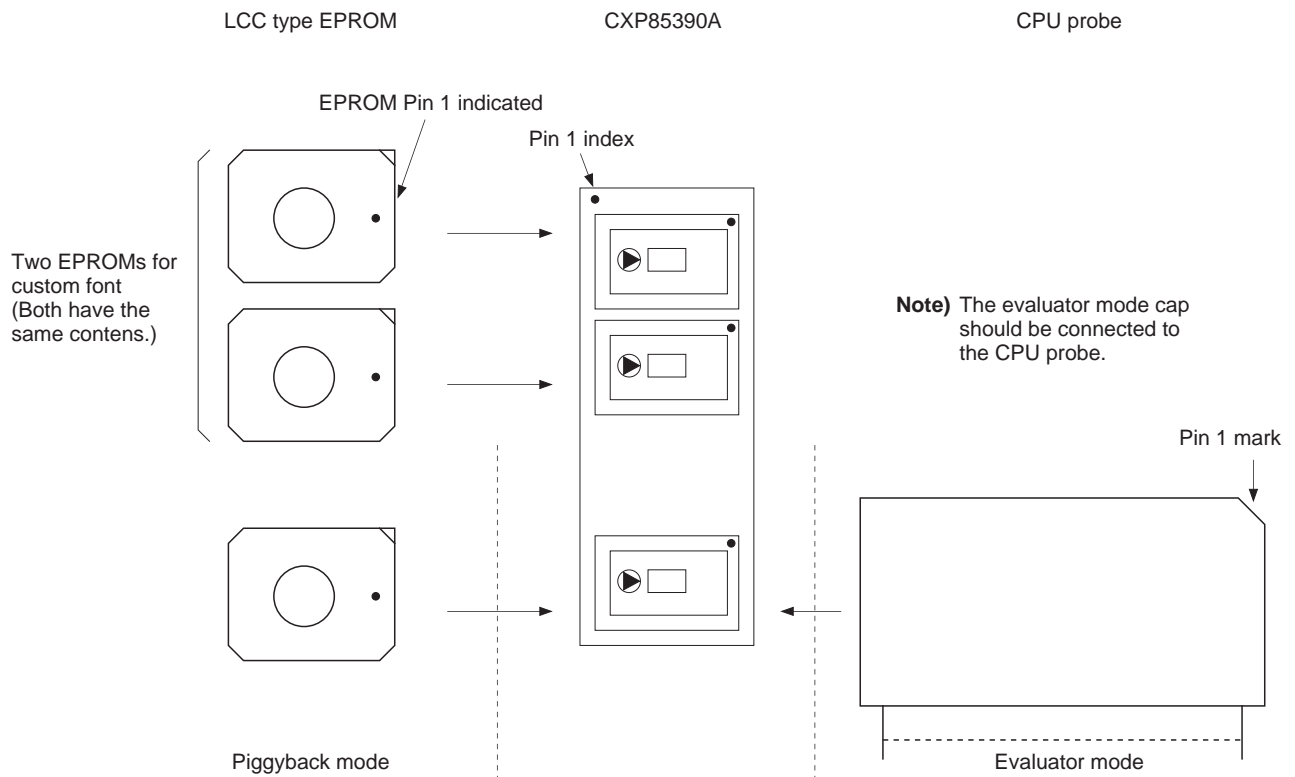
**CXP85300A**

Piggyback mode/evaluator mode switching process is as follows.



**CXP85390A**

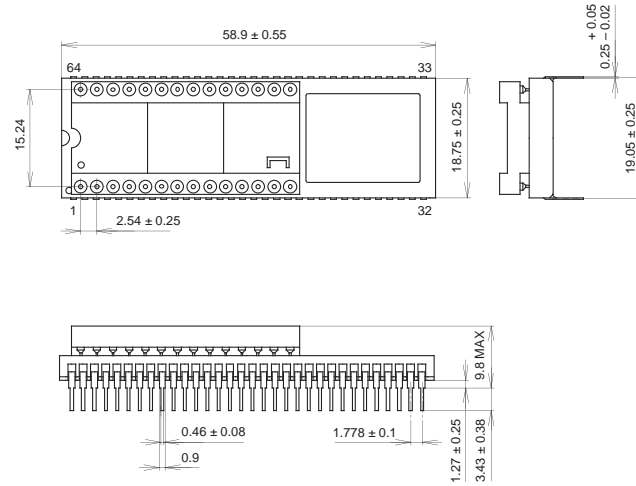
Piggyback mode/evaluator mode switching process is as follows.



Package Outline

Unit: mm

64PIN PSDIP (CERAMIC) 750mil

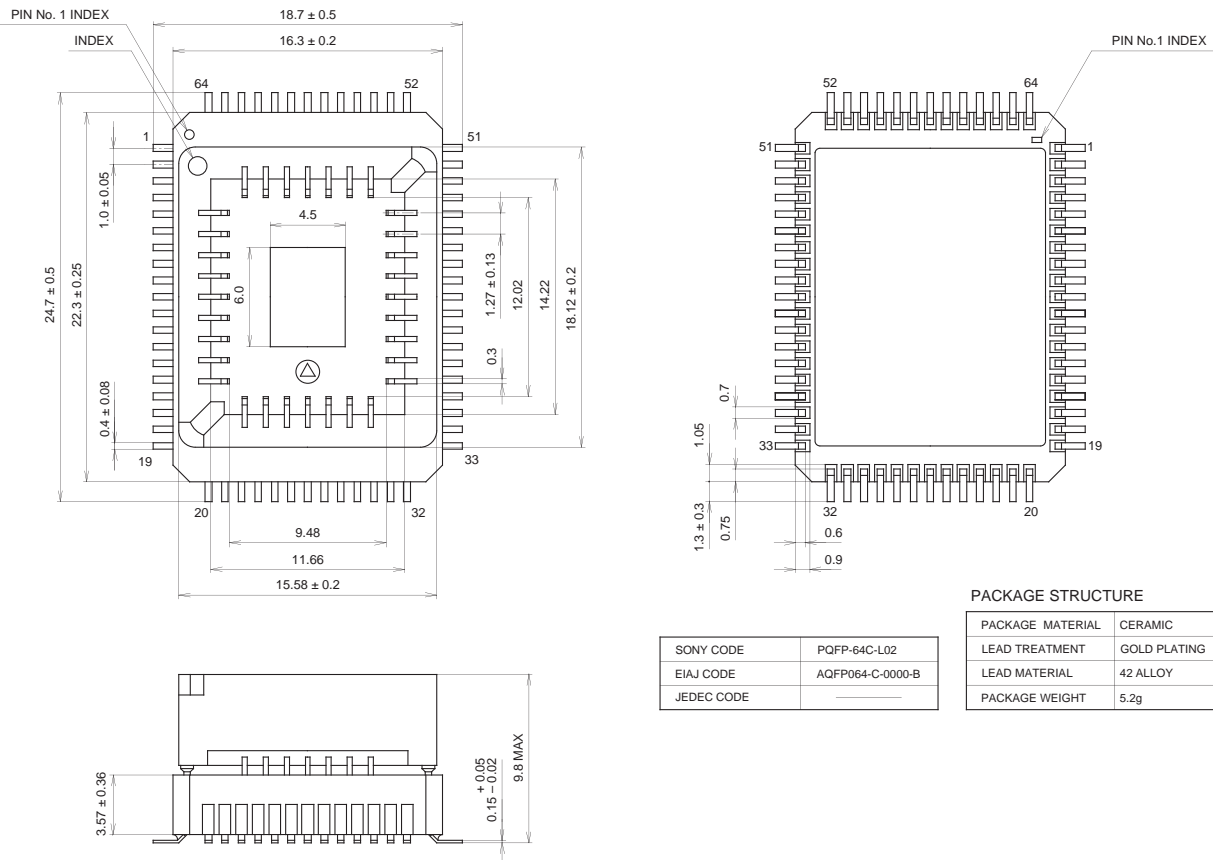


PACKAGE STRUCTURE

SONY CODE	PSDIP-64C-01
EIAJ CODE	ADIP064-C-0750-A
JEDEC CODE	

PACKAGE MATERIAL	CERAMIC
LEAD TREATMENT	GOLD PLATING
LEAD MATERIAL	42 ALLOY
PACKAGE WEIGHT	16.0g

64PIN PQFP (CERAMIC)



PACKAGE STRUCTURE

SONY CODE	PQFP-64C-L02
EIAJ CODE	AQFP064-C-0000-B
JEDEC CODE	

PACKAGE MATERIAL	CERAMIC
LEAD TREATMENT	GOLD PLATING
LEAD MATERIAL	42 ALLOY
PACKAGE WEIGHT	5.2g

64PIN PSDIP (CERAMIC)

