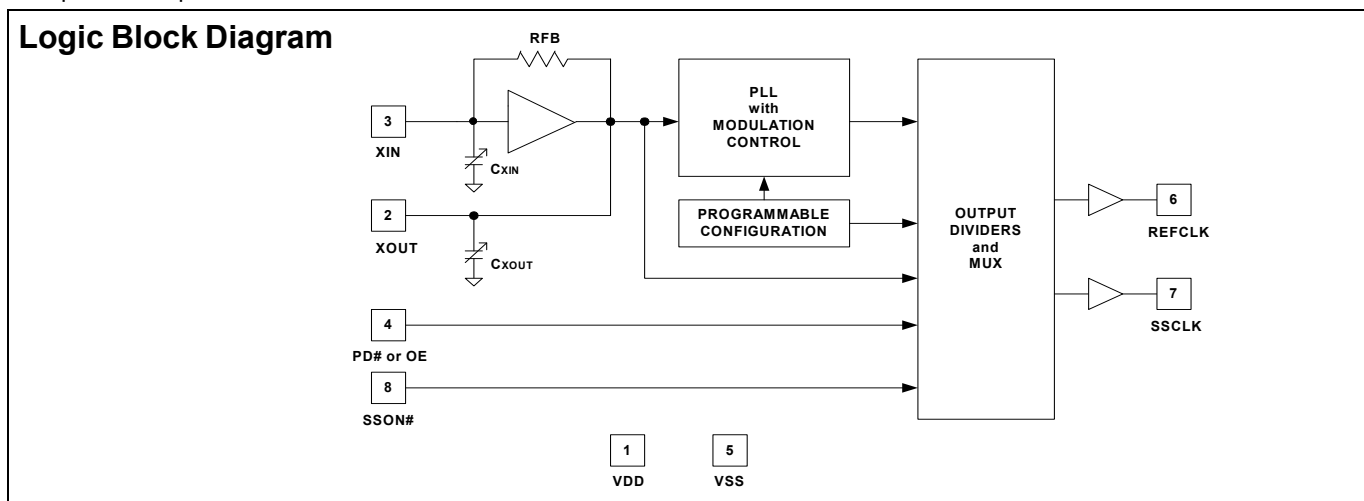


Programmable Spread Spectrum Clock Generator for EMI Reduction

Description

This document describes the programmed values and functions of CY25103. Refer to the CY25100 data sheet for detailed product description and specifications.



Pin Configuration

Figure 1. CY25103-2 8-pin SOIC/Tssop

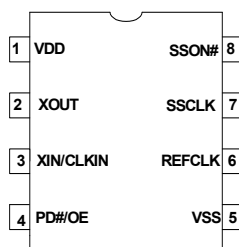


Table 1. Programmed Values and Pin Functions

Pin	Parameter	Value	Unit
3	XIN	12.00	MHz
7	SSCLK	48	MHz
7	Spread Percent	± 0.25	%
2 and 3	C _{XIN} and C _{XOUT}	36	pF
6	REFCLK	Off	MHz
4	PD#/OE	OE	n/a
7	Modulation frequency	31.5	kHz

Table 2. CY25103-2 - Spread Percentage

Part Number	Spread Percentage	Parallel Crystal Load
CY25103-2	±0.25, Center Spread	18 pF

Ordering Information

Part Number	Package Type	Product Flow
CY25103SXC-2	8-pin, SOIC	Commercial, 0° to 70°C
CY25103SXC-2T	8-pin, SOIC, Tape and Reel	Commercial, 0° to 70°C

Document History Page

Document Title: CY25103 Programmable Spread Spectrum Clock Generator for EMI Reduction Document Number: 38-07582				
Rev.	ECN No.	Orig. of Change	Submission Date	Description of Change
**	129464	RGL	09/09/03	New Data Sheet
*A	2628846	CXQ/PYRS	12/31/08	Removed "ADVANCE INFORMATON" Removed references to CY25103-1 and CY25103-3 Updated "Ordering Information" table

Sales, Solutions, and Legal Information

Worldwide Sales and Design Support

Cypress maintains a worldwide network of offices, solution centers, manufacturer's representatives, and distributors. To find the office closest to you, visit us at cypress.com/sales.

Products

PSoC	psoc.cypress.com
Clocks & Buffers	clocks.cypress.com
Wireless	wireless.cypress.com
Memories	memory.cypress.com
Image Sensors	image.cypress.com

PSoC Solutions

General	psoc.cypress.com/solutions
Low Power/Low Voltage	psoc.cypress.com/low-power
Precision Analog	psoc.cypress.com/precision-analog
LCD Drive	psoc.cypress.com/lcd-drive
CAN 2.0b	psoc.cypress.com/can
USB	psoc.cypress.com/usb

© Cypress Semiconductor Corporation, 2003-2008. The information contained herein is subject to change without notice. Cypress Semiconductor Corporation assumes no responsibility for the use of any circuitry other than circuitry embodied in a Cypress product. Nor does it convey or imply any license under patent or other rights. Cypress products are not warranted nor intended to be used for medical, life support, life saving, critical control or safety applications, unless pursuant to an express written agreement with Cypress. Furthermore, Cypress does not authorize its products for use as critical components in life-support systems where a malfunction or failure may reasonably be expected to result in significant injury to the user. The inclusion of Cypress products in life-support systems application implies that the manufacturer assumes all risk of such use and in doing so indemnifies Cypress against all charges.

Any Source Code (software and/or firmware) is owned by Cypress Semiconductor Corporation (Cypress) and is protected by and subject to worldwide patent protection (United States and foreign), United States copyright laws and international treaty provisions. Cypress hereby grants to licensee a personal, non-exclusive, non-transferable license to copy, use, modify, create derivative works of, and compile the Cypress Source Code and derivative works for the sole purpose of creating custom software and or firmware in support of licensee product to be used only in conjunction with a Cypress integrated circuit as specified in the applicable agreement. Any reproduction, modification, translation, compilation, or representation of this Source Code except as specified above is prohibited without the express written permission of Cypress.

Disclaimer: CYPRESS MAKES NO WARRANTY OF ANY KIND, EXPRESS OR IMPLIED, WITH REGARD TO THIS MATERIAL, INCLUDING, BUT NOT LIMITED TO, THE IMPLIED WARRANTIES OF MERCHANTABILITY AND FITNESS FOR A PARTICULAR PURPOSE. Cypress reserves the right to make changes without further notice to the materials described herein. Cypress does not assume any liability arising out of the application or use of any product or circuit described herein. Cypress does not authorize its products for use as critical components in life-support systems where a malfunction or failure may reasonably be expected to result in significant injury to the user. The inclusion of Cypress' product in a life-support systems application implies that the manufacturer assumes all risk of such use and in doing so indemnifies Cypress against all charges.

Use may be limited by and subject to the applicable Cypress software license agreement.