



# CY27C256

## 32K x 8-Bit CMOS EPROM

### Features

- **Wide speed range**  
— 45 ns to 200 ns (commercial and military)
- **Low power**  
— 248 mW (commercial)  
— 303 mW (military)
- **Low standby power**  
— Less than 83 mW when deselected
- **±10% Power supply tolerance**

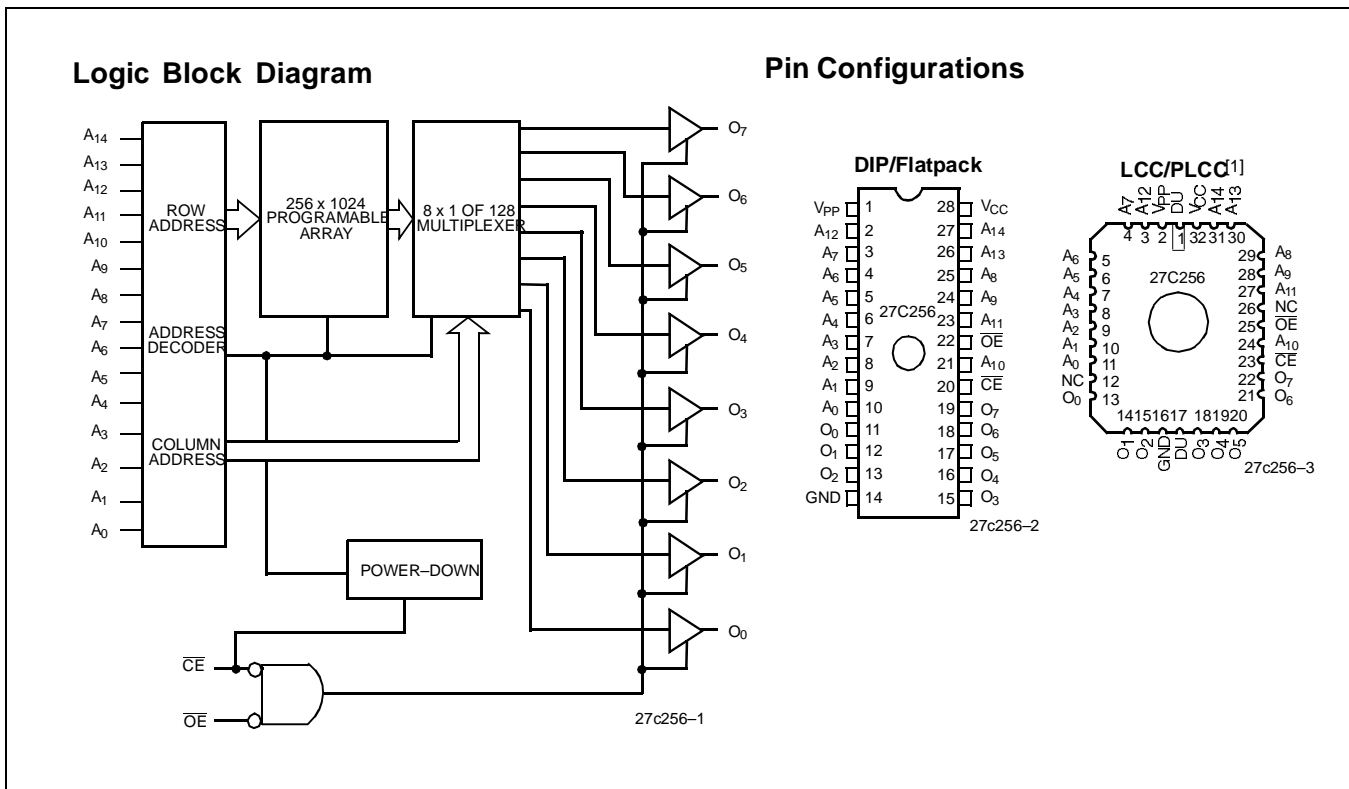
### Functional Description

The CY27C256 is a high-performance 32,768-word by 8-bit CMOS EPROM. When disabled ( $\overline{CE}$  HIGH), the CY27C256 automatically powers down into a low-power stand-by mode. The CY27C256 is packaged in the industry standard 600-mil DIP, PLCC, and TSOP packages. The CY27C256 is also avail-

able in a CerDIP package equipped with an erasure window to provide for reprogrammability. When exposed to UV light, the EPROM is erased and can be reprogrammed. The memory cells utilize proven EPROM floating gate technology and byte-wide intelligent programming algorithms.

The CY27C256 offers the advantage of lower power and superior performance and programming yield. The EPROM cell requires only 12.5V for the super voltage, and low current requirements allow for gang programming. The EPROM cells allow each memory location to be tested 100% because each location is written into, erased, and repeatedly exercised prior to encapsulation. Each EPROM is also tested for AC performance to guarantee that after customer programming, the product will meet both DC and AC specification limits.

Reading the CY27C256 is accomplished by placing active LOW signals on  $\overline{OE}$  and  $\overline{CE}$ . The contents of the memory location addressed by the address lines ( $A_0 - A_{14}$ ) will become available on the output lines ( $O_0 - O_7$ ).



**Note:**

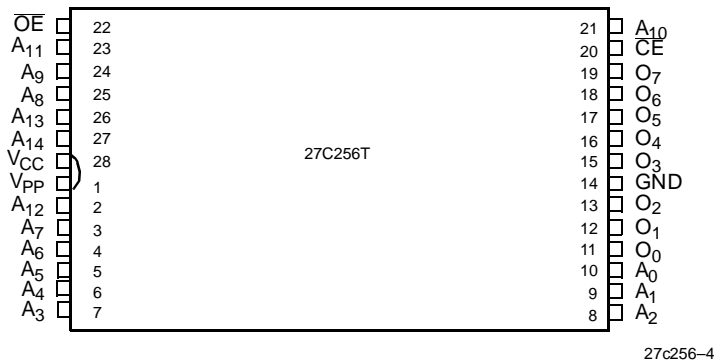
1. For PLCC only: Pins 1 and 17 are common and tied to the die attach pad. They must therefore be DU (don't use) for the PLCC package.

**Selection Guide**

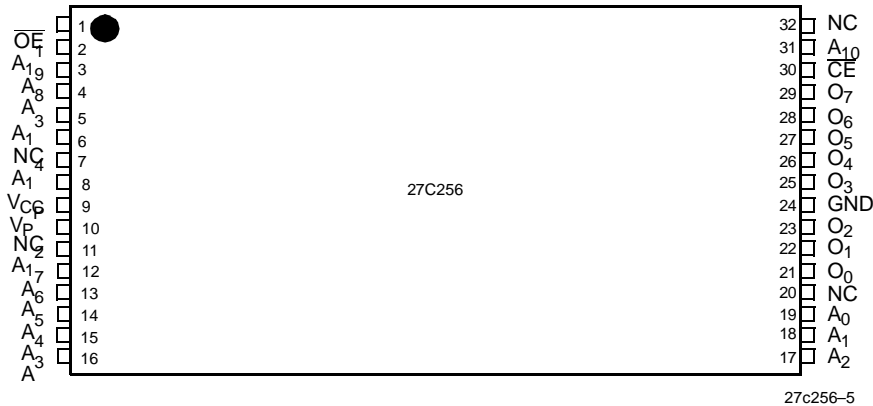
	27C256-45	27C256-55	27C256-70	27C256-90	27C256-120	27C256-150	27C256-200
Maximum Access Time (ns)	45	55	70	90	120	150	200
Maximum Operating Current (mA)	Com'l	45	45	45	45	45	45
	Mil	55	55	55	55	55	55
Standby Current (mA)	Com'l	15	15	15	15	15	15
	Mil	20	20	20	20	20	20
Chip Select Time (ns)	45	55	70	90	120	150	200
Output Enable Time (ns)	15	20	25	30	30	40	40

**Pin Configurations**

**28-Pin TSOP  
Top View**



**32-Pin TSOP  
Top View**



**Maximum Ratings**

(Above which the useful life may be impaired. For user guidelines, not tested.)

- Storage Temperature ..... -65°C to +150°C
- Ambient Temperature with Power Applied..... -55°C to +125°C
- Supply Voltage to Ground Potential ..... -0.5V to +7.0V

**DC Voltage Applied to Outputs**

- in High Z State..... -0.5V to +7.0V
- DC Input Voltage .....-3.0V to +7.0V
- DC Program Voltage ..... 13.0V
- Static Discharge Voltage ..... >2001V (per MIL-STD-883, Method 3015)
- Latch-Up Current..... >200 mA
- UV Exposure ..... 7258 Wsec/cm<sup>2</sup>

## Operating Range

Range	Ambient Temperature	V <sub>CC</sub>
Commercial	0°C to +70°C	5V ±10%
Industrial <sup>[2]</sup>	-40°C to +85°C	5V ±10%
Military <sup>[3]</sup>	-55°C to +125°C	5V ±10%

## Electrical Characteristics Over the Operating Range<sup>[4]</sup>

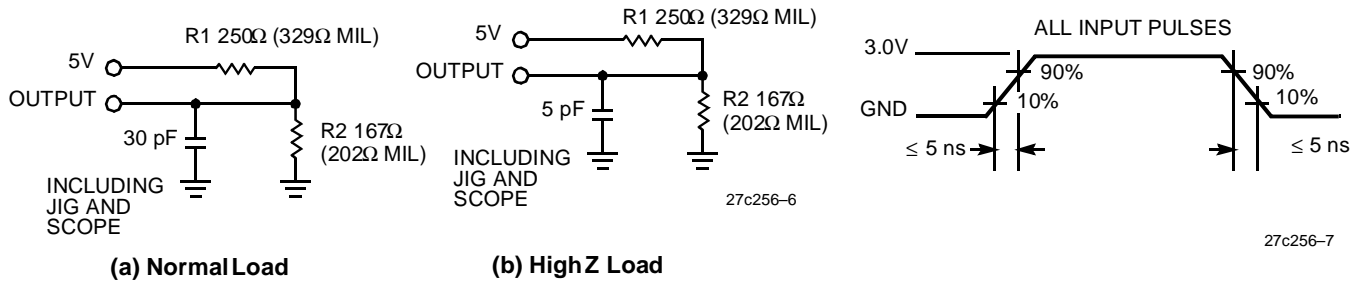
Parameter	Description	Test Conditions	27C256-45, 55, 70, 90, 120, 150, 200		Unit	
			Min.	Max.		
V <sub>OH</sub>	Output HIGH Voltage	V <sub>CC</sub> = Min., I <sub>OH</sub> = -4.0 mA	2.4		V	
V <sub>OL</sub>	Output LOW Voltage	V <sub>CC</sub> = Min., I <sub>OL</sub> = 16.0 mA <sup>[5]</sup>		0.4	V	
V <sub>IH</sub>	Input HIGH Level	Guaranteed Input Logical HIGH Voltage for All Inputs	2.0	V <sub>CC</sub>	V	
V <sub>IL</sub>	Input LOW Level	Guaranteed Input Logical LOW Voltage for All Inputs	-0.3	0.8	V	
I <sub>IX</sub>	Input Current	GND ≤ V <sub>IN</sub> ≤ V <sub>CC</sub>	-10	+10	μA	
I <sub>OZ</sub>	Output Leakage Current	GND ≤ V <sub>OUT</sub> ≤ V <sub>CC</sub> , Output Disabled	Commercial	-10	+10	μA
			Military	-40	+40	
I <sub>OS</sub>	Output Short Circuit Current <sup>[6]</sup>	V <sub>CC</sub> = Max., V <sub>OUT</sub> = GND	-20	-90	mA	
I <sub>CC</sub>	Power Supply Current	V <sub>CC</sub> = Max., V <sub>IN</sub> = V <sub>IH</sub> , I <sub>OUT</sub> = 0 mA, $\overline{CE}$ = V <sub>IL</sub> , $\overline{OE}$ = V <sub>IH</sub>	Commercial		45	mA
			Military		55	
I <sub>SB</sub>	Standby Supply Current	V <sub>CC</sub> = Max., $\overline{CE}$ = V <sub>IH</sub>	Commercial		15	mA
			Military		20	
V <sub>PP</sub>	Programming Supply Voltage		12	13	V	
I <sub>PP</sub>	Programming Supply Current			50	mA	
V <sub>IHP</sub>	Input HIGH Programming Voltage		3.0		V	
V <sub>ILP</sub>	Input LOW Programming Voltage			0.4	V	

## Capacitance<sup>[7]</sup>

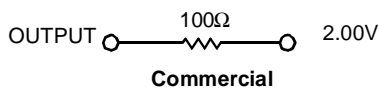
Parameter	Description	Test Conditions	Max.	Unit
C <sub>IN</sub>	Input Capacitance	T <sub>A</sub> = 25°C, f = 1 MHz, V <sub>CC</sub> = 5.0V	10	pF
C <sub>OUT</sub>	Output Capacitance		10	pF

### Notes:

- Contact a Cypress representative for information on industrial temperature range specifications.
- T<sub>A</sub> is the "instant on" case temperature.
- See the last page of this specification for Group A subgroup testing information.
- I<sub>OL</sub> = 12.0 mA for military devices.
- For test purposes, not more than one output at a time should be shorted. Short circuit test duration should not exceed 30 seconds.
- See Introduction to CMOS PROMs in this Data Book for general information on testing.

**AC Test Loads and Waveforms**


Equivalent to: THÉVENIN EQUIVALENT

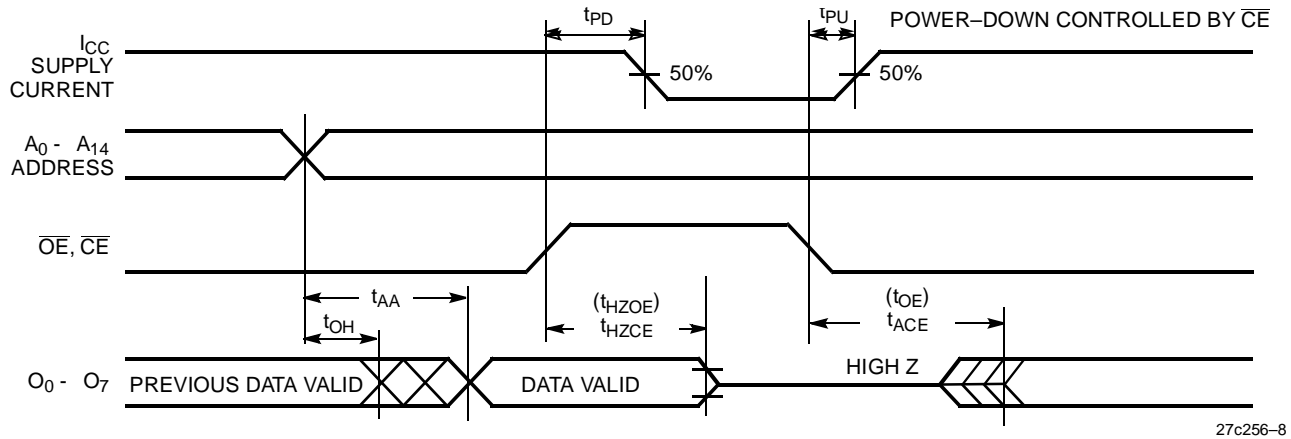

**Switching Characteristics** Over the Operating Range<sup>[4,7]</sup>

Parameter	Description	27C256-45		27C256-55		27C256-70		27C256-90		Unit
		Min.	Max.	Min.	Max.	Min.	Max.	Min.	Max.	
t <sub>AA</sub>	Address to Output Valid		45		55		70		90	ns
t <sub>HZOE</sub>	Output Enable Inactive to High Z		15		20		25		25	ns
t <sub>OE</sub>	Output Enable Active to Output Valid		15		20		25		30	ns
t <sub>HZCE</sub>	Chip Enable Inactive to High Z		20		25		25		25	ns
t <sub>ACE</sub>	Chip Enable Active to Output Valid		45		55		70		90	ns
t <sub>PU</sub>	Chip Enable Active to Power Up	0		0		0		0		ns
t <sub>PD</sub>	Chip Enable Inactive to Power Down		45		55		70		90	ns
t <sub>OH</sub>	Output Hold from Address Change	0		0		0		0		ns

**Switching Characteristics** Over the Operating Range<sup>[4, 7]</sup>

Parameter	Description	27C256-120		27C256-150		27C256-200		Unit
		Min.	Max.	Min.	Max.	Min.	Max.	
t <sub>AA</sub>	Address to Output Valid		120		150		200	ns
t <sub>HZOE</sub>	Output Enable Inactive to High Z		30		30		30	ns
t <sub>OE</sub>	Output Enable Active to Output Valid		30		40		40	ns
t <sub>HZCE</sub>	Chip Enable Inactive to High Z		30		30		30	ns
t <sub>ACE</sub>	Chip Enable Active to Output Valid		120		150		200	ns
t <sub>PU</sub>	Chip Enable Active to Power Up	0		0		0		ns
t <sub>PD</sub>	Chip Enable Inactive to Power Down		120		150		200	ns
t <sub>OH</sub>	Output Hold from Address Change	0		0		0		ns

### Switching Waveform



27c256-8

### Erase Characteristics

Wavelengths of light less than 4000 Å begin to erase the 27C256 in the windowed package. For this reason, an opaque label should be placed over the window if the EPROM is exposed to sunlight or fluorescent lighting for extended periods of time.

The recommended dose of ultraviolet light for erasure is a wavelength of 2537 Å for a minimum dose (UV intensity multiplied by exposure time) of 25 Wsec/cm<sup>2</sup>. For an ultraviolet lamp with a 12 mW/cm<sup>2</sup> power rating, the exposure time would be approximately 35 minutes. The CY27C256 needs to be

within 1 inch of the lamp during erasure. Permanent damage may result if the EPROM is exposed to high-intensity UV light for an extended period of time. 7258 Wsec/cm<sup>2</sup> is the recommended maximum dosage.

### Programming Modes

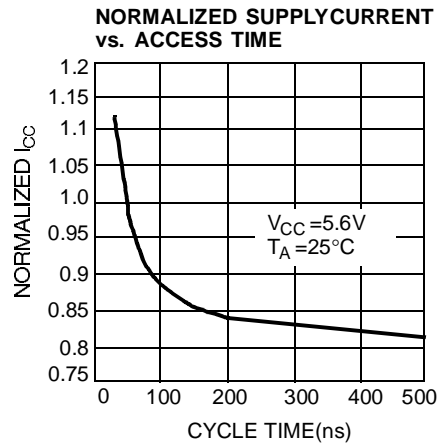
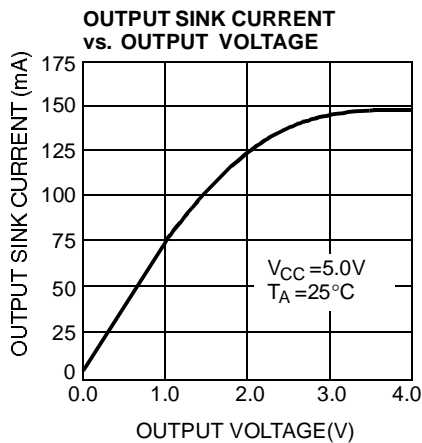
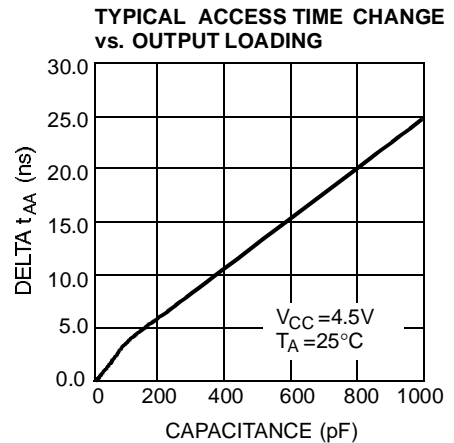
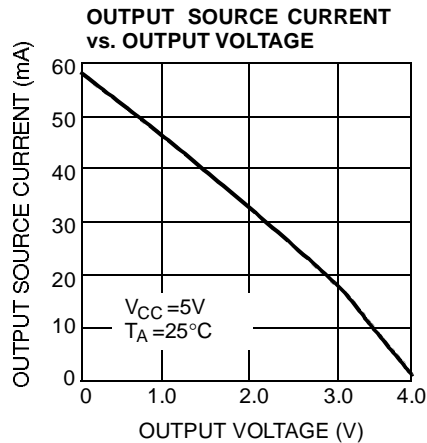
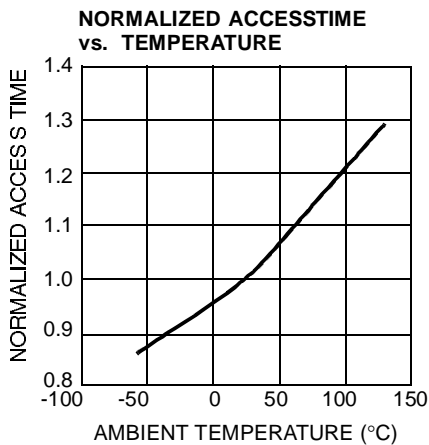
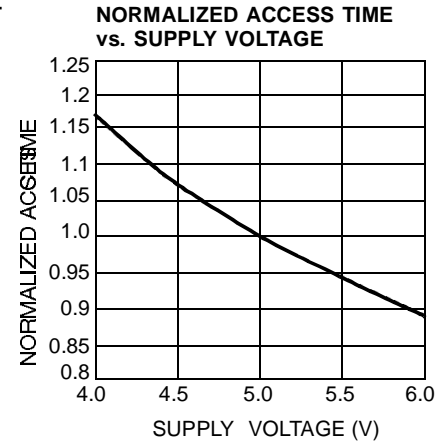
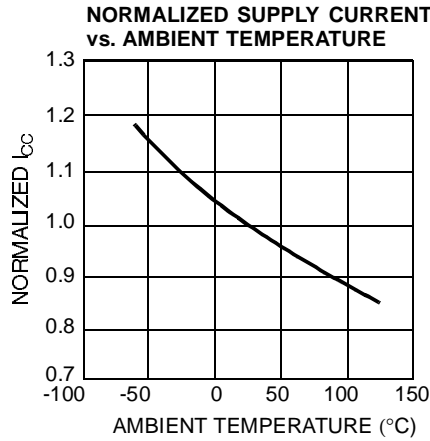
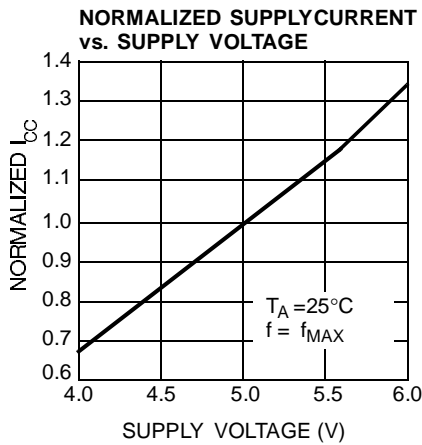
Programming support is available from Cypress as well as from a number of third-party software vendors. For detailed programming information, including a listing of software packages, please see the EPROM Programming Information located at the end of this section. Programming algorithms can be obtained from any Cypress representative.

**Table 1. CY27C256 Mode Selection.**

Mode	Pin Function <sup>[8]</sup>				
	A <sub>14</sub> -A <sub>0</sub>	$\overline{OE}$	$\overline{CE}$	V <sub>PP</sub>	O <sub>7</sub> -O <sub>0</sub>
Read	A <sub>14</sub> -A <sub>0</sub>	V <sub>IL</sub>	V <sub>IL</sub>	X <sup>[9]</sup>	O <sub>7</sub> -O <sub>0</sub>
Output Disable	A <sub>14</sub> -A <sub>0</sub>	V <sub>IH</sub>	V <sub>IL</sub>	X	High Z
Power Down	A <sub>14</sub> -A <sub>0</sub>	X	V <sub>IH</sub>	X	High Z

**Notes:**

- 8. X can be V<sub>IL</sub> or V<sub>IH</sub>
- 9. V<sub>PP</sub> should not exceed V<sub>CC</sub> in read mode.

**Typical DC and AC Characteristics**


**Ordering Information<sup>[10]</sup>**

Speed (ns)	Ordering Code	Package Name	Package Type	Operating Range
45	CY27C256-45JC	J65	32-Pin Rectangular Plastic Leaded Chip Carrier	Commercial
	CY27C256-45PC	P15	28-Lead (600-Mil) Molded DIP	
	CY27C256-45WC	W16	28-Lead (600-Mil) Windowed CerDIP	
	CY27C256-45ZC	Z32	32-Lead Thin Small Outline Package	
	CY27C256-45WMB	W16	28-Lead (600-Mil) Windowed CerDIP	Military
55	CY27C256-55JC	J65	32-Pin Rectangular Plastic Leaded Chip Carrier	Commercial
	CY27C256-55PC	P15	28-Lead (600-Mil) Molded DIP	
	CY27C256-55WC	W16	28-Lead (600-Mil) Windowed CerDIP	
	CY27C256-55ZC	Z32	32-Lead Thin Small Outline Package	
	CY27C256-55WMB	W16	28-Lead (600-Mil) Windowed CerDIP	Military
70	CY27C256-70JC	J65	32-Pin Rectangular Plastic Leaded Chip Carrier	Commercial
	CY27C256-70PC	P15	28-Lead (600-Mil) Molded DIP	
	CY27C256-70WC	W16	28-Lead (600-Mil) Windowed CerDIP	
	CY27C256-70ZC	Z32	32-Lead Thin Small Outline Package	
	CY27C256-70WMB	W16	28-Lead (600-Mil) Windowed CerDIP	Military
90	CY27C256-90JC	J65	32-Pin Rectangular Plastic Leaded Chip Carrier	Commercial
	CY27C256-90PC	P15	28-Lead (600-Mil) Molded DIP	
	CY27C256-90WC	W16	28-Lead (600-Mil) Windowed CerDIP	
	CY27C256-90ZC	Z32	32-Lead Thin Small Outline Package	
	CY27C256-90WMB	W16	28-Lead (600-Mil) Windowed CerDIP	Military
120	CY27C256-120JC	J65	32-Pin Rectangular Plastic Leaded Chip Carrier	Commercial
	CY27C256-120PC	P15	28-Lead (600-Mil) Molded DIP	
	CY27C256-120WC	W16	28-Lead (600-Mil) Windowed CerDIP	
	CY27C256-120ZC	Z32	32-Lead Thin Small Outline Package	
	CY27C256-120WMB	W16	28-Lead (600-Mil) Windowed CerDIP	Military
150	CY27C256-150JC	J65	32-Pin Rectangular Plastic Leaded Chip Carrier	Commercial
	CY27C256-150PC	P15	28-Lead (600-Mil) Molded DIP	
	CY27C256-150WC	W16	28-Lead (600-Mil) Windowed CerDIP	
	CY27C256-150ZC	Z32	32-Lead Thin Small Outline Package	
	CY27C256-150WMB	W16	28-Lead (600-Mil) Windowed CerDIP	Military
200	CY27C256-200JC	J65	32-Pin Rectangular Plastic Leaded Chip Carrier	Commercial
	CY27C256-200PC	P15	28-Lead (600-Mil) Molded DIP	
	CY27C256-200WC	W16	28-Lead (600-Mil) Windowed CerDIP	
	CY27C256-200ZC	Z32	32-Lead Thin Small Outline Package	
	CY27C256-200WMB	W16	28-Lead (600-Mil) Windowed CerDIP	Military

**Notes:**

10. Most of these products are available in industrial temperature range. Contact a Cypress representative for specifications and product availability.

**Ordering Information** (continued)

Speed (ns)	Ordering Code	Package Name	Package Type	Operating Range
45	CY27C256T-45WC	W22	28-Lead (300-Mil) Windowed CerDIP	Commercial
	CY27C256T-45ZC	Z28	28-Thin Small Outline Package	
	CY27C256T-45WMB	W22	28-Lead (300-Mil) Windowed CerDIP	Military
55	CY27C256T-55WC	W22	28-Lead (300-Mil) Windowed CerDIP	Commercial
	CY27C256T-55ZC	Z28	28-Thin Small Outline Package	
	CY27C256T-55WMB	W22	28-Lead (300-Mil) Windowed CerDIP	Military
70	CY27C256T-70WC	W22	28-Lead (300-Mil) Windowed CerDIP	Commercial
	CY27C256T-70ZC	Z28	28-Thin Small Outline Package	
	CY27C256T-70WMB	W22	28-Lead (300-Mil) Windowed CerDIP	Military

**MILITARY SPECIFICATIONS**  
**Group A Subgroup Testing**
**DC Characteristics**

Parameter	Subgroups
$V_{OH}$	1, 2, 3
$V_{OL}$	1, 2, 3
$V_{IH}$	1, 2, 3
$V_{IL}$	1, 2, 3
$I_{IX}$	1, 2, 3
$I_{OZ}$	1, 2, 3
$I_{CC}$	1, 2, 3
$I_{SB}$	1, 2, 3

**Switching Characteristics**

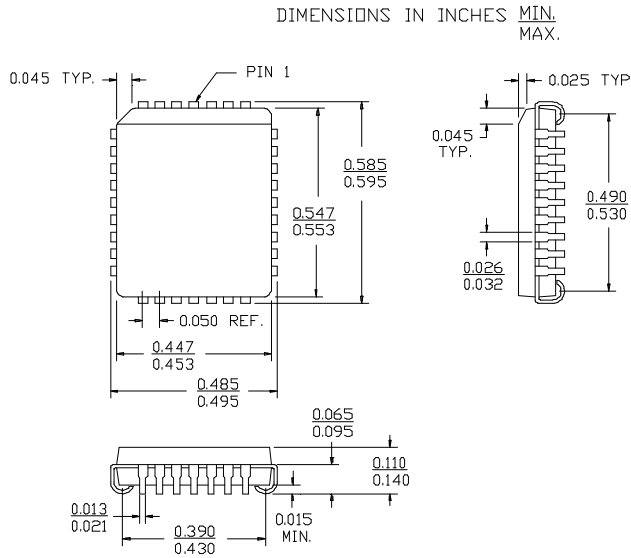
Parameter	Subgroups
$t_{AA}$	7, 8, 9, 10, 11
$t_{OE}$	7, 8, 9, 10, 11
$t_{ACE}$	7, 8, 9, 10, 11

Document #: 38-00245-D

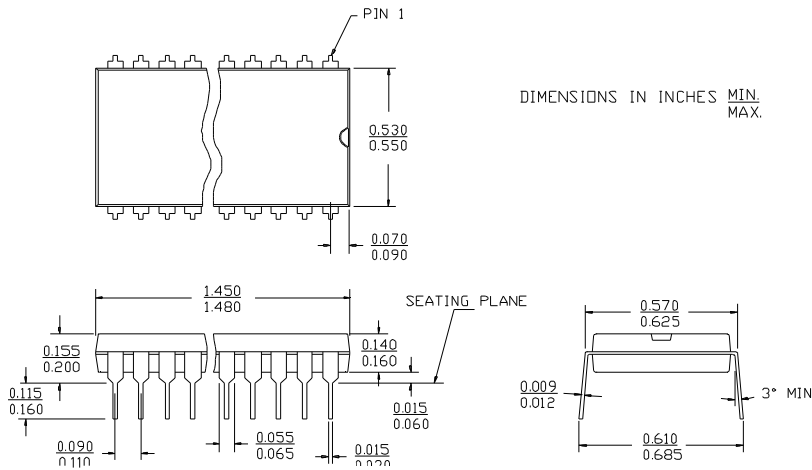


Package Diagrams

32-Lead Plastic Leaded Chip Carrier J65

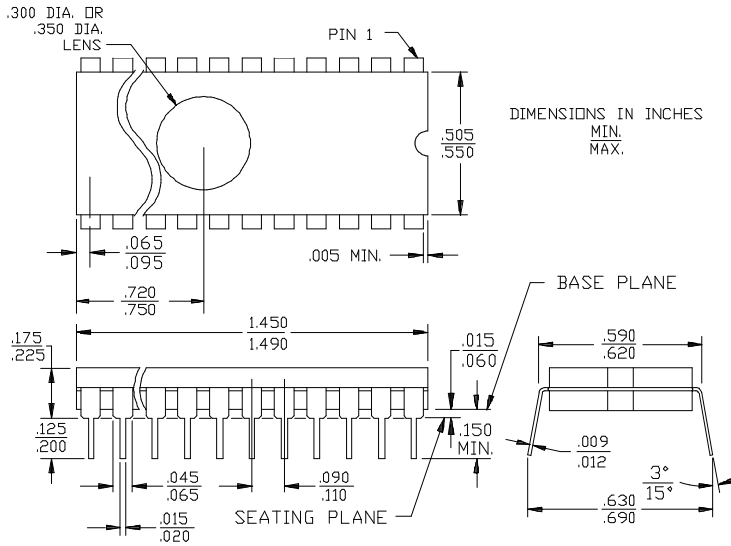


28-Lead (600-Mil) Molded DIP P15

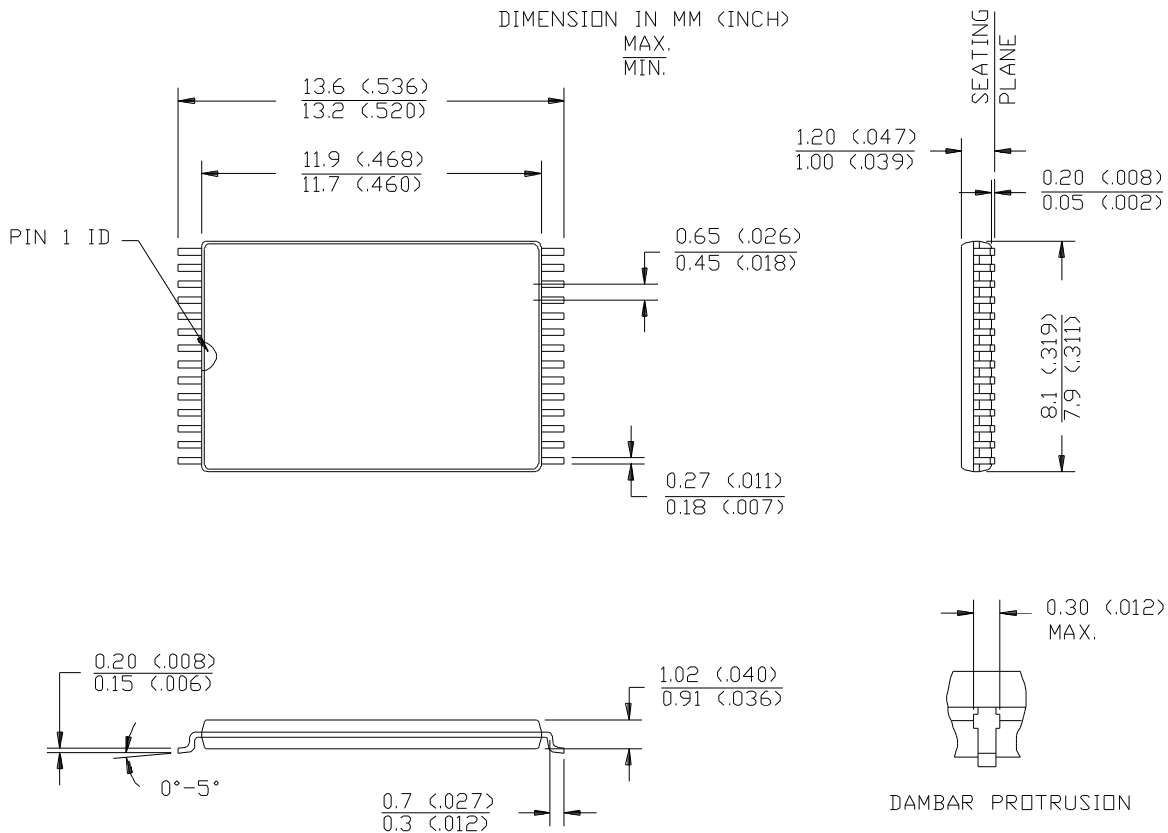


Package Diagrams (Continued)

**28-Lead (600-Mil) Windowed CerDIP W16**  
MIL-STD-1835 D-10 Config.A



**28-Lead Thin Small Outline Package Z28**



**Package Diagrams (Continued)**
**32-Lead Thin Small Outline Package Z32**
