

100 MHz Differential Buffer for PCI Express and SATA

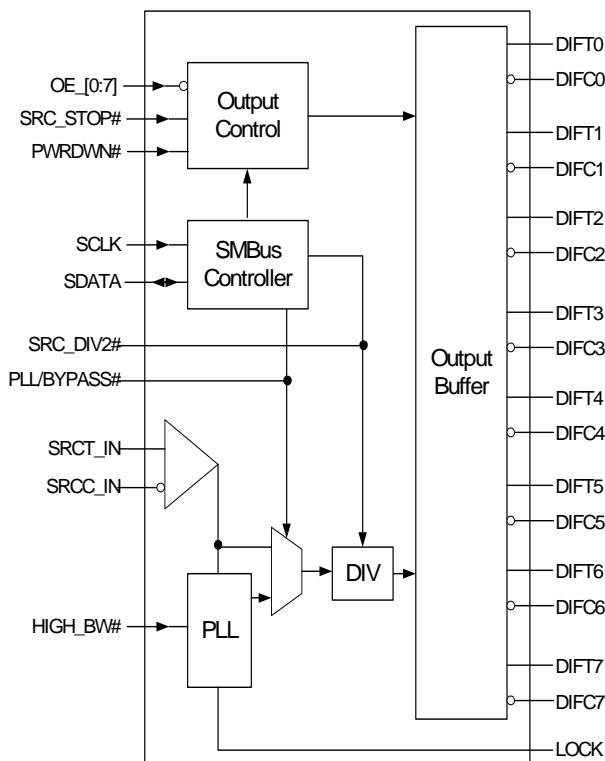
Features

- CK409 or CK410 companion buffer
- Eight differential 0.7V clock pairs
- Individual OE controls
- Low CTC jitter (< 50 ps)
- Programmable bandwidth
- SRC_STOP# power management control
- SMBus Block/Byte/Word Read and Write support
- 3.3V operation
- PLL Bypass-configurable
- Divide by 2 programmable
- 48-pin SSOP package

Functional Description

The CY28401 is a differential buffer and serves as a companion device to the CK409 or CK410 clock generator. The device is capable of distributing the Serial Reference Clock (SRC) in PCI Express and SATA implementations.

Block Diagram



Pin Configuration

SRC_DIV2#	1	48	VDD_A
VDD	2	47	VSS_A
VSS	3	46	IREF
SRCT_IN	4	45	LOCK
SRCC_IN	5	44	OE_7
OE_0	6	43	OE_4
OE_3	7	42	DIFT7
DIFT0	8	41	DIFC7
DIFC0	9	40	VSS
VSS	10	39	VDD
VDD	11	38	DIFT6
DIFT1	12	37	DIFC6
DIFC1	13	36	OE_6
OE_1	14	35	OE_5
OE_2	15	34	DIFT5
DIFT2	16	33	DIFC5
DIFC2	17	32	VSS
VSS	18	31	VDD
VDD	19	30	DIFT4
DIFT3	20	29	DIFC4
DIFC3	21	28	HIGH_BW#
PLL/BYPASS#	22	27	SRC_STOP#
SCLK	23	26	PWRDWN#
SDATA	24	25	VSS

48 SSOP

Pin Description

Pin	Name	Type	Description
4,5	SRCT_IN, SRCC_IN	I,DIF	0.7V Differential SRC inputs from the clock synthesizer
8,9,12,13,16,17,20,21,29,30,33,34,37,38,41,42	DIFT/C(7:0)	O,DIF	0.7V Differential Clock Outputs
6,7,14,15,35,36,43,44	OE_(7:0)	I,SE	3.3V LVTTTL active LOW input for three-stating differential outputs
28	HIGH_BW#	I,SE	3.3V LVTTTL input for selecting PLL bandwidth
45	LOCK	O,SE	3.3V LVTTTL output, transitions high when PL lock is achieved (latched output)
26	PWRDWN#	I,SE	3.3V LVTTTL input for Power-down, active LOW
1	SRC_DIV/2#	I,SE	3.3V LVTTTL input for selecting input frequency divided by two, active LOW
27	SRC_STOP#	I,SE	3.3V LVTTTL input for SRC_Stop#, active LOW
23	SCLK	I,SE	SMBus Slave Clock Input
24	SDATA	I/O,OC	Open collector SMBus data
46	IREF	I	A precision resistor is attached to this pin to set the differential output current
22	PLL/BYPASS#	I	3.3V LVTTTL input for selecting fan-out or PLL operation
48	VDD_A	3.3V	3.3V Power Supply for PLL
47	VSS_A	GND	Ground for PLL
3,10,18,25,32,40	VSS	I	Ground for outputs
2,11,19,31,39	VDD	I	3.3V power supply for outputs

Serial Data Interface

To enhance the flexibility and function of the clock buffer, a two-signal serial interface is provided. Through the Serial Data Interface, various device functions, such as individual clock output buffers, can be individually enabled or disabled. The registers associated with the Serial Data Interface initialize to their default setting upon power-up, and therefore use of this interface is optional. Clock device register changes are normally made upon system initialization, if any are required. The interface cannot be used during system operation for power management functions.

Data Protocol

The clock driver serial protocol accepts byte write, byte read, block write, and block read operations from the controller. For block write/read operation, the bytes must be accessed in sequential order from lowest to highest byte (most significant bit first) with the ability to stop after any complete byte has been transferred. For byte write and byte read operations, the system controller can access individually indexed bytes. The offset of the indexed byte is encoded in the command code, as described in *Table 1*.

The block write and block read protocol is outlined in *Table 2* while *Table 3* outlines the corresponding byte write and byte read protocol. The slave receiver address is 11011100 (DCh).

Table 1. Command Code Definition

Bit	Description
7	0 = Block read or block write operation 1 = Byte read or byte write operation
(6:0)	Byte offset for byte read or byte write operation. For block read or block write operations, these bits should be '0000000'

Table 2. Block Read and Block Write Protocol

Block Write Protocol		Block Read Protocol	
Bit	Description	Bit	Description
1	Start	1	Start
2:8	Slave address – 7 bits	2:8	Slave address – 7 bits
9	Write = 0	9	Write = 0

Table 2. Block Read and Block Write Protocol (continued)

Block Write Protocol		Block Read Protocol	
Bit	Description	Bit	Description
10	Acknowledge from slave	10	Acknowledge from slave
11:18	Command Code – 8 bits '00000000' stands for block operation	11:18	Command Code – 8 bits '00000000' stands for block operation
19	Acknowledge from slave	19	Acknowledge from slave
20:27	Byte Count from master – 8 bits	20	Repeat start
28	Acknowledge from slave	21:27	Slave address – 7 bits
29:36	Data byte 0 from master – 8 bits	28	Read = 1
37	Acknowledge from slave	29	Acknowledge from slave
38:45	Data byte 1 from master – 8 bits	30:37	Byte count from slave – 8 bits
46	Acknowledge from slave	38	Acknowledge from host
....	Data bytes from master/Acknowledge	39:46	Data byte 0 from slave – 8 bits
....	Data Byte N – 8 bits	47	Acknowledge from host
....	Acknowledge from slave	48:55	Data byte 1 from slave – 8 bits
....	Stop	56	Acknowledge from host
		Data bytes from slave/Acknowledge
		Data byte N from slave – 8 bits
		Acknowledge from host
		Stop

Table 3. Byte Read and Byte Write Protocol

Byte Write Protocol		Byte Read Protocol	
Bit	Description	Bit	Description
1	Start	1	Start
2:8	Slave address – 7 bits	2:8	Slave address – 7 bits
9	Write = 0	9	Write = 0
10	Acknowledge from slave	10	Acknowledge from slave
11:18	Command Code – 8 bits '100xxxx' stands for byte operation, bits[6:0] of the command code represents the offset of the byte to be accessed	11:18	Command Code – 8 bits '100xxxx' stands for byte operation, bits[6:0] of the command code represents the offset of the byte to be accessed
19	Acknowledge from slave	19	Acknowledge from slave
20:27	Data byte from master – 8 bits	20	Repeat start
28	Acknowledge from slave	21:27	Slave address – 7 bits
29	Stop	28	Read = 1
		29	Acknowledge from slave
		30:37	Data byte from slave – 8 bits
		38	Acknowledge from master
		39	Stop

Byte 0: Control Register 0

Bit	@pup	Name	Description
7	0		PWRDWN# drive mode 0 = Driven when stopped, 1 = Three-state
6	0		SRC_STOP# drive mode 0 = Driven when stopped, 1 = Three-state

Byte 0: Control Register 0 (continued)

Bit	@pup	Name	Description
5	0		Reserved
4	0		Reserved
3	0		Reserved
2	1		HIGH_BW# 0 = High Bandwidth, 1 = Low bandwidth
1	1		PLL/Bypass# 0 = Fanout buffer, 1 = PLL mode
0	1		SRC_DIV/2 0 = Divided by 2 mode, 1 = Normal (output = input)

Byte 1: Control Register 1

Bit	@pup	Name	Description
7	1		DIF_7 Output Enable 0 = Disabled (three-state) 1 = Enabled
6	1		DIF_6 Output Enable 0 = Disabled (three-state) 1 = Enabled
5	1		DIF_5 Output Enable 0 = Disabled (three-state) 1 = Enabled
4	1		DIF_4 Output Enable 0 = Disabled (three-state) 1 = Enabled
3	1		DIF_3 Output Enable 0 = Disabled (three-state) 1 = Enabled
2	1		DIF_2 Output Enable 0 = Disabled (three-state) 1 = Enabled
1	1		DIF_1 Output Enable 0 = Disabled (three-state) 1 = Enabled
0	1		DIF_0 Output Enable 0 = Disabled (three-state) 1 = Enabled

Byte 2: Control Register 2

Bit	@pup	Name	Description
7	0		Allow Control DIF_7 with assertion of SRC_STOP# 0 = Free-running 1 = Stopped with SRC_STOP#
6	0		Allow Control DIF_6 with assertion of SRC_STOP# 0 = Free-running 1 = Stopped with SRC_STOP#
5	0		Allow Control DIF_5 with assertion of SRC_STOP# 0 = Free-running 1 = Stopped with SRC_STOP#
4	0		Allow Control DIF_4 with assertion of SRC_STOP# 0 = Free-running 1 = Stopped with SRC_STOP#

Byte 2: Control Register 2 (continued)

Bit	@pup	Name	Description
3	0		Allow Control DIF_3 with assertion of SRC_STOP# 0 = Free-running 1 = Stopped with SRC_STOP#
2	0		Allow Control DIF_2 with assertion of SRC_STOP# 0 = Free-running 1 = Stopped with SRC_STOP#
1	0		Allow Control DIF_1 with assertion of SRC_STOP# 0 = Free-running 1 = Stopped with SRC_STOP#
0	0		Allow Control DIF_0 with assertion of SRC_STOP# 0 = Free-running 1 = Stopped with SRC_STOP#

Byte 3: Control Register 3

Bit	@pup	Name	Description
7	0		Reserved
6	0		Reserved
5	0		Reserved
4	0		Reserved
3	0		Reserved
2	0		Reserved
1	0		Reserved
0	0		Reserved

Byte 4: Vendor ID Register

Bit	@Pup	Name	Description
7	0		Revision Code Bit 3
6	0		Revision Code Bit 2
5	0		Revision Code Bit 1
4	0		Revision Code Bit 0
3	1		Vendor ID Bit 3
2	0		Vendor ID Bit 2
1	0		Vendor ID Bit 1
0	0		Vendor ID Bit 0

Byte 5: Control Register 5

Bit	@Pup	Name	Description
7	0		Reserved
6	0		Reserved
5	0		Reserved
4	0		Reserved
3	0		Reserved
2	0		Reserved
1	0		Reserved
0	0		Reserved

PWRDWN# Clarification^[1]

The PWRDWN# pin is used to shut off all clocks cleanly and instruct the device to evoke power savings mode. Additionally, PWRDWN# should be asserted prior to shutting off the input clock or power to ensure all clocks shut down in a glitch-free manner. PWRDWN# is an asynchronous active LOW input. This signal is synchronized internal to the device prior to powering down the clock buffer. PWRDWN# is an asynchronous input for powering up the system. When PWRDWN# is asserted LOW, all clocks will be held HIGH or three-stated (depending on the state of the control register drive mode and OE bits) prior to turning off the VCO. All clocks will start and stop without any abnormal behavior and must meet all AC and DC parameters. This means no glitches, frequency shifting or amplitude abnormalities among others.

PWRDWN# Assertion

When PWRDWN# is sampled LOW by two consecutive rising edges of DIFC, all DIFT outputs will be held HIGH or

three-stated (depending on the state of the control register drive mode and OE bits) on the next DIFC HIGH-to-LOW transition. When the SMBus power-down drive mode bit is programmed to '0', all clock outputs will be held with the DIFT pin driven high at 2 x Iref and DIFC three-state. However, if the control register PWRDWN# drive mode bit is programmed to '1', then both DIFT and the DIFC are three-stated.

PWRDWN# Deassertion

The power-up latency is less than 1 ms. This is the time from the deassertion of the PWRDWN# pin or the ramping of the power supply or the time from valid SRC_IN input clocks until the time that stable clocks are output from the buffer chip (PLL locked). If the control register PWRDWN# three-state bit is programmed to '1', all differential outputs must be driven high in less than 300 μs of PWRDWN# deassertion to a voltage greater than 200 mV.

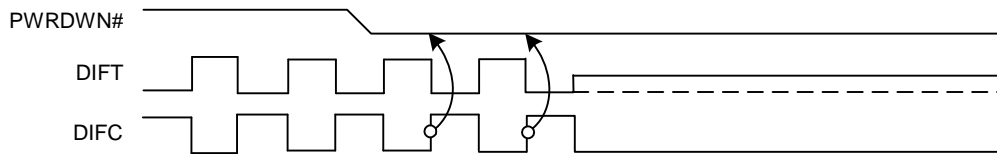


Figure 1. PWRDWN# Assertion Diagram

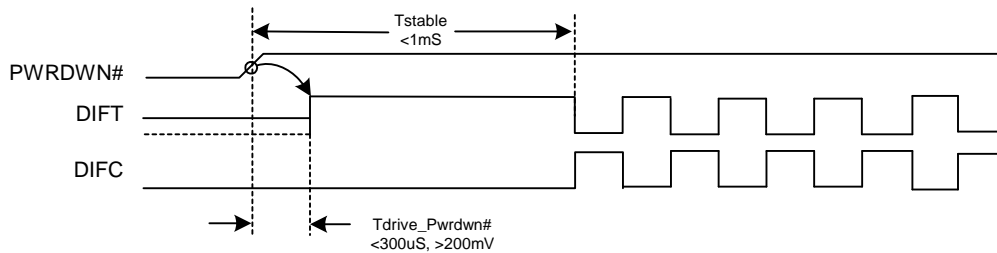


Figure 2. PWRDWN# Deassertion Diagram

Table 4. Buffer Power-up State Machine

State	Description
0	3.3V Buffer power off
1	After 3.3V supply is detected to rise above 1.8V - 2.0V, the buffer enters state 1 and initiates a 0.2-ms–0.3-ms delay
2 ^[5]	Buffer waits for a valid clock on the SRC_IN input and PWRDWN# deassertion
3 ^[2,3,4]	Once the PLL is locked to the SRC_IN input clock, the buffer enters state 3 and enables outputs for normal operation

Notes:

- Disabling of the SRCT_IN input clock prior to assertion of PWRDWN# is an undefined mode and not recommended. Operation in this mode may result in glitches excessive frequency shifting.
- The total power-up latency from power on to all outputs active is less than 1 ms (assuming a valid clock is present on SRC_IN input).
- Lock output is a latched signal that is reset with the assertion of PWRDWN# or when VDD < 1.8V,
- Special care must be taken to ensure that no abnormal clock behavior occurs after the assertion PLL LOCK (i.e., overshoot undershoot is allowed).
- If power is valid and PWRDWN# is deasserted but no input clocks are present on the SRC_IN input, DIF clocks will remain disabled. Only after valid input clocks are detected, valid power, PWRDWN# deasserted with the PLL locked and stable are the DIF outputs enabled.

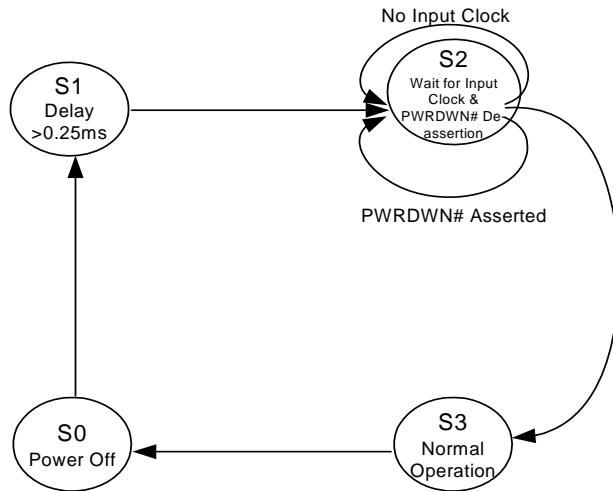


Figure 3. Buffer Power-up State Diagram

SRC_STOP# Clarification

The SRC_STOP# signal is an active LOW input used for clean stopping and starting the DIFT/C outputs (valid clock must be present on SRCT/C_IN). The SRC_STOP# signal is a debounced signal in that its state must remain unchanged during two consecutive rising edges of DIFC to be recognized as a valid assertion or deassertion. (The assertion and deassertion of this signal is absolutely asynchronous.)

Table 5. SRC_STOP# Functionality^[6]

SRC_STOP#	DIFT	DIFC
1	Normal	Normal
0	Iref * 6 or Float	Low

SRC_STOP# Assertion

The impact of asserting the SRC_STOP# pin is that all DIF outputs that are set in the control registers to stoppable via assertion of SRC_STOP# are stopped after their next

transition. When the control register SRC_STOP# three-state bit is programmed to '0', the final state of all stopped DIFT/C signals is DIFT clock = HIGH and DIFC = LOW. There will be no change to the output drive current values, DIFT will be driven HIGH with a current value equal 6 x Iref, and DIFC will not be driven. When the control register SRC_STOP# three-state bit is programmed to '1', the final state of all stopped DIF signals is LOW, both DIFT clock and DIFC clock outputs will not be driven.

SRC_STOP# Deassertion

All differential outputs that were stopped will resume normal operation in a glitch-free manner. The maximum latency from the deassertion to active outputs is between 2-6 DIFT/C clock periods (2 clocks are shown) with all DIFT/C outputs resuming simultaneously. If the control register three-state bit is programmed to '1' (three-state), then all stopped DIFT outputs will be driven high within 10 ns of SRC_STOP# deassertion to a voltage greater than 200 mV.

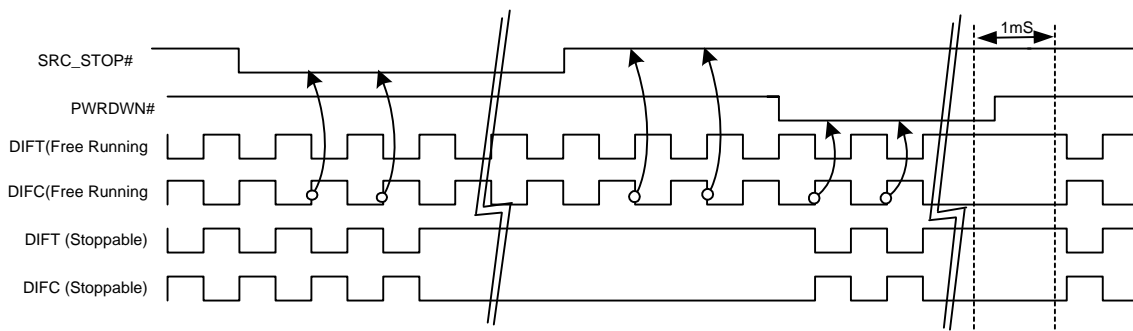


Figure 4. SRC_STOP# = Driven, PWRDWN# = Driven

Note:

6. In the case where OE is asserted LOW, the output will always be three-stated regardless of SRC_STOP# drive mode register bit state.

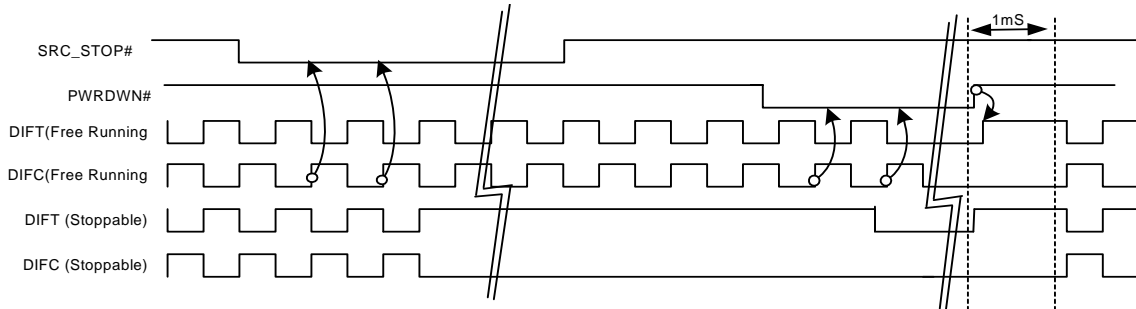


Figure 5. SRC_STOP# =Driven, PWRDWN# = Three-state

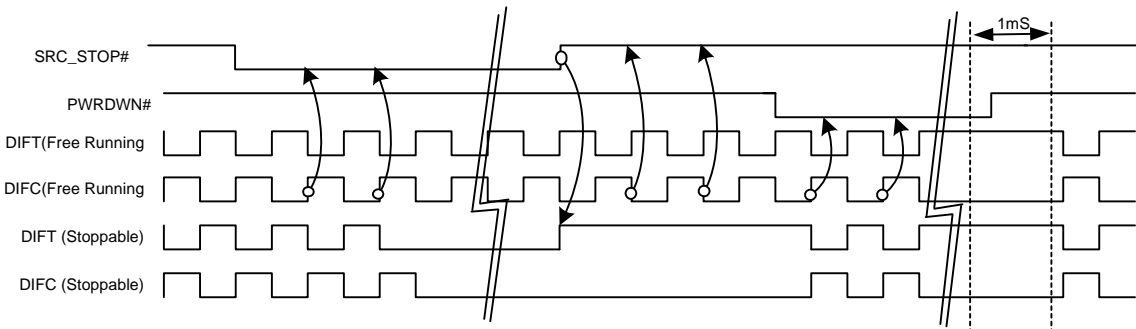


Figure 6. SRC_STOP# =Three-state, PWRDWN# = Driven

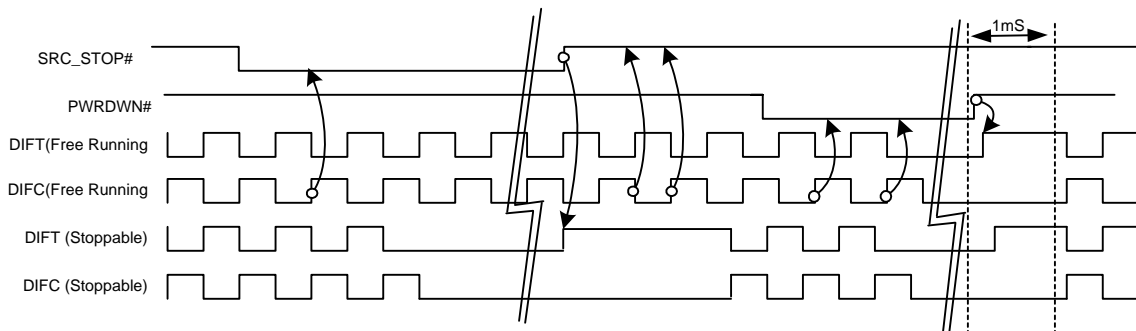


Figure 7. SRC_STOP# =Three-state, PWRDWN# = Three-state

Output Enable Clarification

The OE function may be implemented in two ways, via writing a '0' to SMBus register bit corresponding to output of interest or by asserting an OE input pin LOW. In both methods, if SMBus registered bit has been written LOW or the OE pin is LOW or both, the output of interest will be three-stated. (The assertion and deassertion of this signal is absolutely asynchronous.)

Table 6. OE Functionality

OE (Pin)#	OE (SMBus Bit)	DIFT	DIFC
1	1	Normal	Normal
1	0	Three-state	Low
0	1	Three-state	Low
0	0	Three-state	Low

OE Assertion (Transition from '0' to '1')

All differential outputs that were three-stated will resume normal operation in a glitch-free manner. The maximum latency from the assertion to active outputs is between 2–6 DIF clock periods. In addition, DIFT clocks will be driven HIGH within 10 ns of OE assertion to a voltage greater than 200 mV.

OE Deassertion (Transition from '1' to '0')

The impact of deasserting OE is each corresponding output will transition from normal operation to three-state in a glitch-free manner. The maximum latency from the deassertion to three-stated outputs is between 2–6 DIF clock periods.

LOCK Signal Clarification

The LOCK output signal is intended to provide designers a signal indicating that PLL lock has been achieved and valid clock are available. This can be helpful when cascading multiple buffers that each contribute a 1-ms start-up delay in addition to the start-up time of the clock source. Upon receiving a valid clock on the SRC_IN input (PWRDWN# deasserted), the buffer will begin ramping the internal PLL until lock is achieved and stable, the clock buffer will assert the LOCK pin HIGH and enable DIF output clocks. In other words, if power is valid and PWRDWN# is deasserted but no input clocks are present on the SRC_IN input, all DIF clocks remain disabled. Only after valid input clocks are detected, valid power, PWRDWN# deasserted with the PLL locked and stable are LOCK to be asserted and the DIF outputs enabled. The maximum start-up latency from valid clocks on SRC_IN input to the assertion of LOCK (output clocks are valid) is to be less than 1 ms. Once LOCK has been asserted high, it will remain high (regardless of the actual PLL status) until power is removed or the PWRDWN# pin has been asserted.

SRC_DIV2# Clarification

The SRC_DIV2# input is used to configure the DIF output mode to be equal to the SRC_IN input frequency or half the input frequency in a glitch-free manner. The SRC_DIV2#

function may be implemented in two ways, via writing a '0' to SMBus register bit or by asserting the SRC_DIV2# input pin LOW. In both methods, if the SMBus register bit has been written LOW or the SRC_DIV2# pin is LOW or both, all DIF outputs will be configured for divide by 2 operation.

SRC_DIV2# Assertion

The impact of asserting the SRC_DIV2# is that all DIF outputs will transition cleanly in a glitch-free manner from normal operation (output frequency equal to input) to half the input frequency within 2–6 DIF clock periods.

SRC_DIV2# Deassertion

The impact of deasserting the SRC_DIV2# is that all DIF outputs will transition cleanly in a glitch-free manner from divide by 2 mode to normal (output frequency is equal to the input frequency) operation within 2–6 DIF clock periods.

PLL/BYPASS# Clarification

The PLL/Bypass# input is used to select between bypass mode (no PLL) and PLL mode. In bypass mode, the input clock is passed directly to the output stage resulting in 50-ps additive jitter (50 ps + input jitter) on DIF outputs. In the case of PLL mode, the input clock is pass through a PLL to reduce high-frequency jitter. The BYPASS# mode may be selected in two ways, via writing a '0' to SMBus register bit or by asserting the PLL/BYPASS# pin LOW. In both methods, if the SMBus register bit has been written LOW or PLL/BYPASS# pin is LOW or both, the device will be configured for BYPASS operation.

HIGH_BW# Clarification

The HIGH_BW# input is used to set the PLL bandwidth. This mode is intended to minimize PLL peaking when two or more buffers are cascaded by staggering device bandwidths. The PLL low-bandwidth mode may be selected in two ways, via writing a '0' to SMBus register bit or by asserting the HIGH_BW# pin is LOW or both; the device will be configured for low-bandwidth operation.

Absolute Maximum Conditions

Parameter	Description	Condition	Min.	Max.	Unit
V _{DD}	Core Supply Voltage		-0.5	4.6	V
V _{DD_A}	Analog Supply Voltage		-0.5	4.6	V
V _{IN}	Input Voltage	Relative to V _{SS}	-0.5	V _{DD} + 0.5	VDC
T _S	Temperature, Storage	Non-functional	-65	+150	°C
T _A	Temperature, Operating Ambient	Functional	0	70	°C
T _J	Temperature, Junction	Functional		150	°C
∅ _{JC}	Dissipation, Junction to Case	Mil-Spec 883E Method 1012.1		TBD	°C/W
∅ _{JA}	Dissipation, Junction to Ambient	JEDEC (JESD 51)		TBD	°C/W
ESD _{HBM}	ESD Protection (Human Body Model)	MIL-STD-883, Method 3015	2000		V
UL-94	Flammability Rating	At 1/8 in.	V-0		
MSL	Moisture Sensitivity Level		1		

Multiple Supplies: The Voltage on any input or I/O pin cannot exceed the power pin during power-up. Power supply sequencing is NOT required.

DC Electrical Specifications

Parameter	Description	Condition	Min.	Max.	Unit
V _{DD_A} , V _{DD}	3.3V Operating Voltage	3.3 ± 5%	3.135	3.465	V
V _{IL2C}	Input Low Voltage	SDATA, SCLK	-	1.0	V
V _{IH2C}	Input High Voltage	SDATA, SCLK	2.2	-	V
V _{IL}	3.3V Input Low Voltage		V _{SS} - 0.5	0.8	V
V _{IH}	3.3V Input High Voltage		2.0	V _{DD} + 0.5	V
V _{OL}	3.3V Output Low Voltage	I _{OL} = 1 mA	-	0.4	V
V _{OH}	3.3V Output High Voltage	I _{OH} = -1 mA	2.4	-	V
I _{IL}	Input Low Leakage Current	Except internal pull-up resistors, 0 < V _{IN} < V _{DD}	-5		μA
I _{IH}	Input High Leakage Current	Except internal pull-down resistors, 0 < V _{IN} < V _{DD}		5	μA
I _{OZ}	High-impedance Output Current		-10	10	μA
C _{IN}	Input Pin Capacitance		2	5	pF
C _{OUT}	Output Pin Capacitance		3	6	pF
L _{IN}	Pin Inductance		-	7	nH
I _{DD3.3V}	Dynamic Supply Current	At max. load and 100 MHz	-	300	mA
I _{PD3.3V}	Power-down Supply Current	PD asserted, Outputs driven	-	65	mA
I _{PD3.3V}	Power-down Supply Current	PD asserted, Outputs Three-stated	-	5	mA

AC Electrical Specifications

Parameter	Description	Condition	Min.	Max.	Unit
DIF at 0.7V					
T _{DC}	DIFT and DIFC Duty Cycle	Measured at crossing point V _{Ox}	45	55	%
T _{SKEW}	Any DIFT/C to DIFT/C Clock Skew, SSC	Measured at crossing point V _{Ox}	-	200	ps
T _{PERIOD}	Average Period	Measured at crossing point V _{Ox} at 100 MHz	9.9970	10.0533	ns
T _{CCJ}	DIFT/C Cycle to Cycle Jitter	Measured at crossing point V _{Ox}	-	50	ps
T _R / T _F	DIFT and DIFC Rise and Fall Times	Measured from V _{OL} = 0.175 to V _{OH} = 0.525V	175	700	ps
T _{RFM}	Rise/Fall Matching	Determined as a fraction of 2*(T _R - T _F)/(T _R + T _F)	-	20	%
ΔT _R	Rise Time Variation		-	125	ps
ΔT _F	Fall Time Variation		-	125	ps
V _{HIGH}	Voltage High	Measured SE	660	850	mv

AC Electrical Specifications (continued)

Parameter	Description	Condition	Min.	Max.	Unit
V _{LOW}	Voltage Low	Measured SE	-150	-	mv
V _{OX}	Crossing Point Voltage at 0.7V Swing		250	550	mv
ΔV _{OX}	V _{cross} Variation over all edges		-	140	mV
V _{OVS}	Maximum Overshoot Voltage		-	V _{HIGH} + 0.3	V
V _{UDS}	Minimum Undershoot Voltage		-	-0.3	V
V _{RB}	Ring Back Voltage	Measured SE	0.2	N/A	V
t _{PD(PLL)}	Input to output skew in PLL mode	Measured at crossing point V _{OX}	-	±250	ps
t _{PD(NONPLL)}	Input to output skew in Non-PLL mode	Measured at crossing point V _{OX}	2.5	6.5	ns

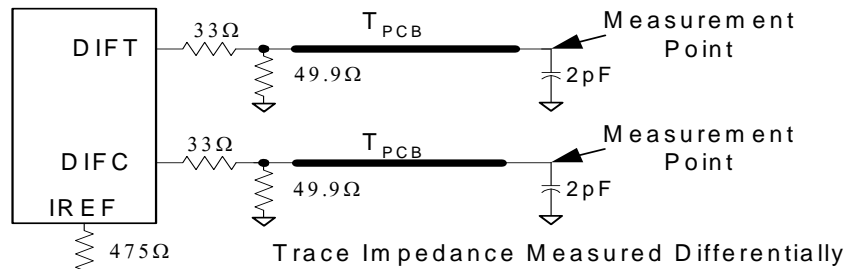


Figure 8. Differential Clock Termination

Switching Waveforms

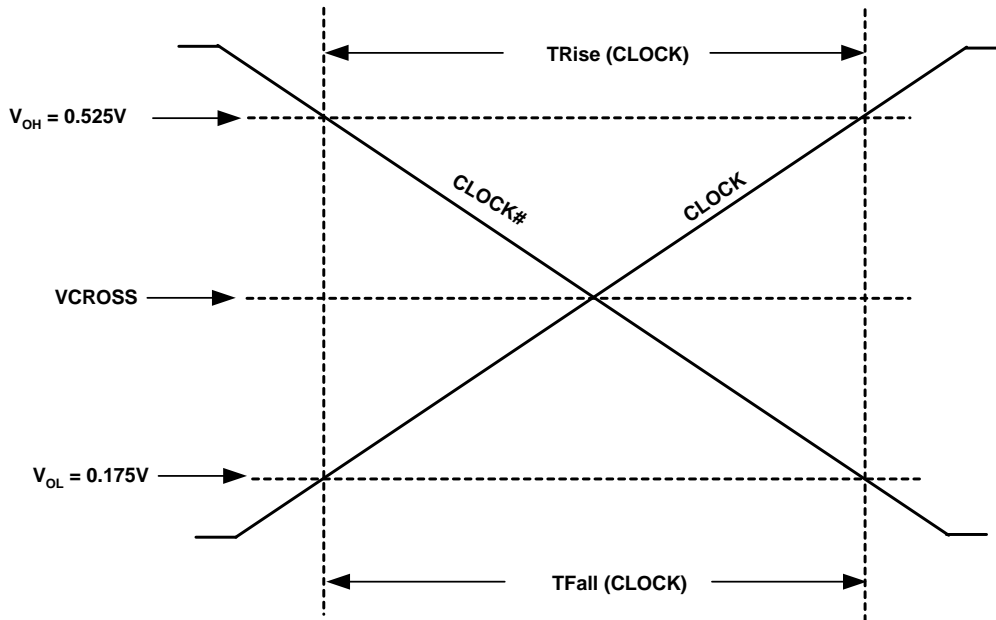


Figure 9. Single-Ended Measurement Points for TRise and TFall

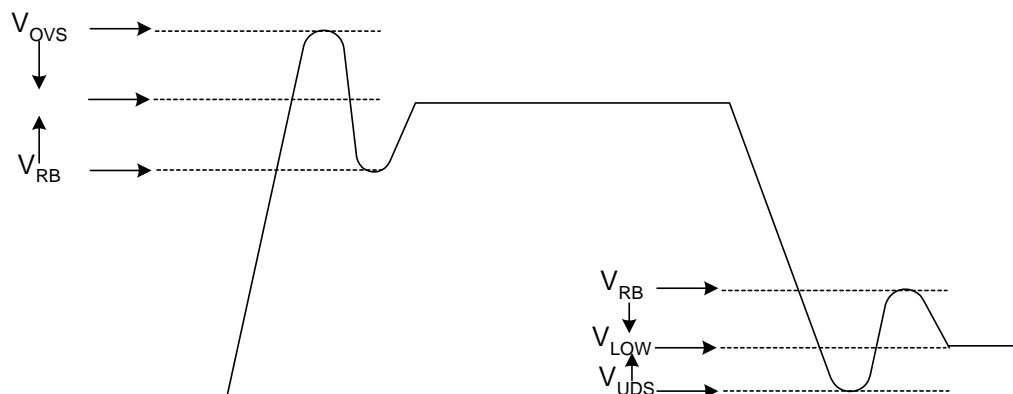


Figure 10. Single-ended Measurement Points for V_{OVS} , V_{UDS} and V_{RB}

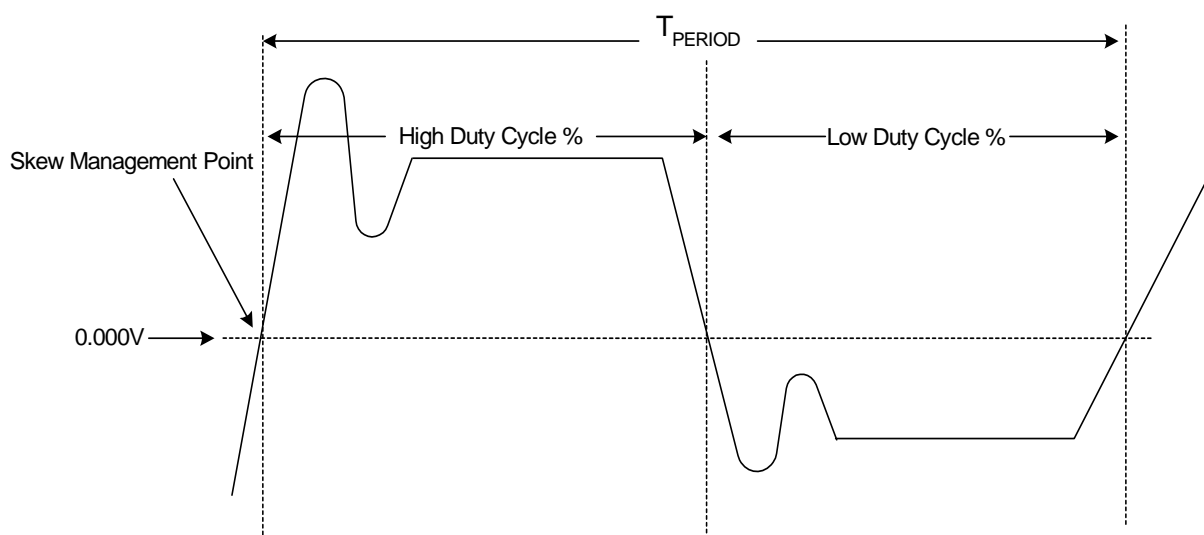


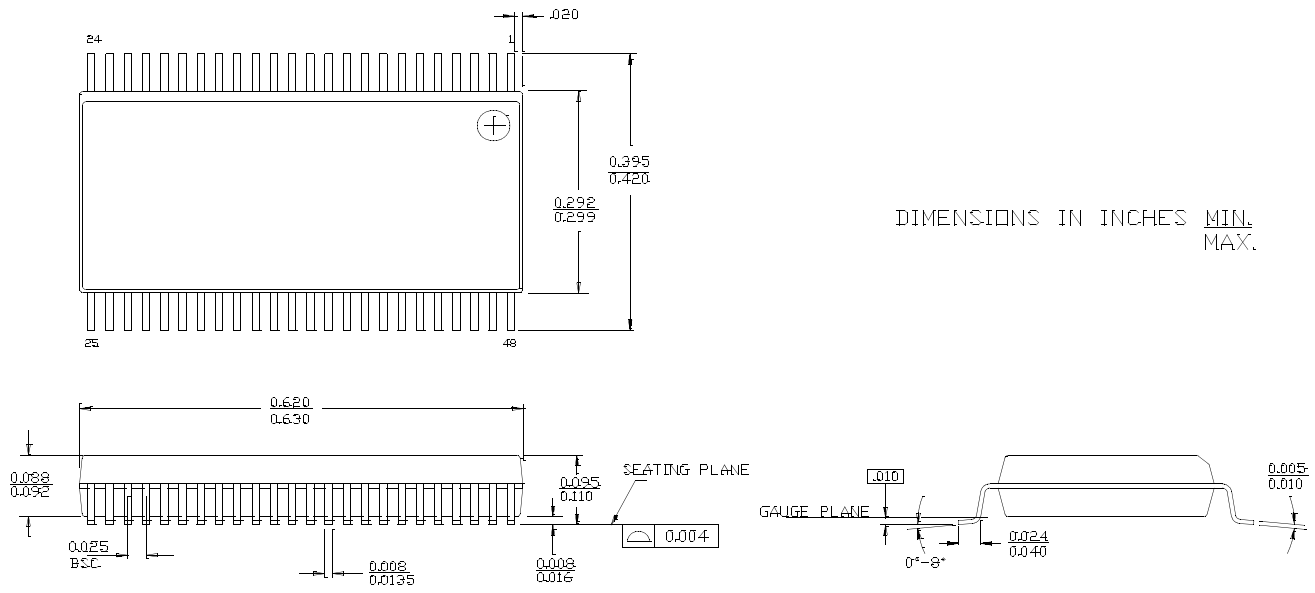
Figure 11. Differential (Clock-Clock#) Measurement Points (T_{period} , Duty Cycle and Jitter)

Ordering Information

Ordering Code	Package Type	Operating Range
CY28401OC	48-pin SSOP	Commercial, 0°C to 70 °C
CY28401OCT	48-pin SSOP–Tape and Reel	Commercial, 0°C to 70 °C
Lead-Free		
CY28401OXC	48-pin SSOP	Commercial, 0°C to 70 °C
CY28401OXCT	48-pin SSOP–Tape and Reel	Commercial, 0°C to 70 °C

Package Drawing and Dimensions

48-Lead Shrunken Small Outline Package O48



51-85061-°C

The information in this document is believed to be accurate in all respects at the time of publication but is subject to change without notice. Silicon Laboratories assumes no responsibility for errors and omissions, and disclaims responsibility for any consequences resulting from the use of information included herein. Additionally, Silicon Laboratories assumes no responsibility for the functioning of undescribed features or parameters. Silicon Laboratories reserves the right to make changes without further notice. Silicon Laboratories makes no warranty, representation or guarantee regarding the suitability of its products for any particular purpose, nor does Silicon Laboratories assume any liability arising out of the application or use of any product or circuit, and specifically disclaims any and all liability, including without limitation consequential or incidental damages. Silicon Laboratories products are not designed, intended, or authorized for use in applications intended to support or sustain life, or for any other application in which the failure of the Silicon Laboratories product could create a situation where personal injury or death may occur. Should Buyer purchase or use Silicon Laboratories products for any such unintended or unauthorized application, Buyer shall indemnify and hold Silicon Laboratories harmless against all claims and damages.